

## G5S

3 Gallon (11 liter) and 5 Gallon (19 liter) seal pot for API plan 52 & 53A

### K-TEK products

Measurement made easy

#### Features:

- Simple threaded barrier fluid (process) & cooling water connections
- Mounting bracket allows for vertical installation with adjustable height settings
- Standard materials are 316 SS for shell and cooling coil tubing
- Level transmitter and indicator options

#### Operational Data:

- Mounting
  - Mount vertically with cooling water/supply connections at the bottom
- Cooling coils available to reduce seal fluid temperature



# G5S

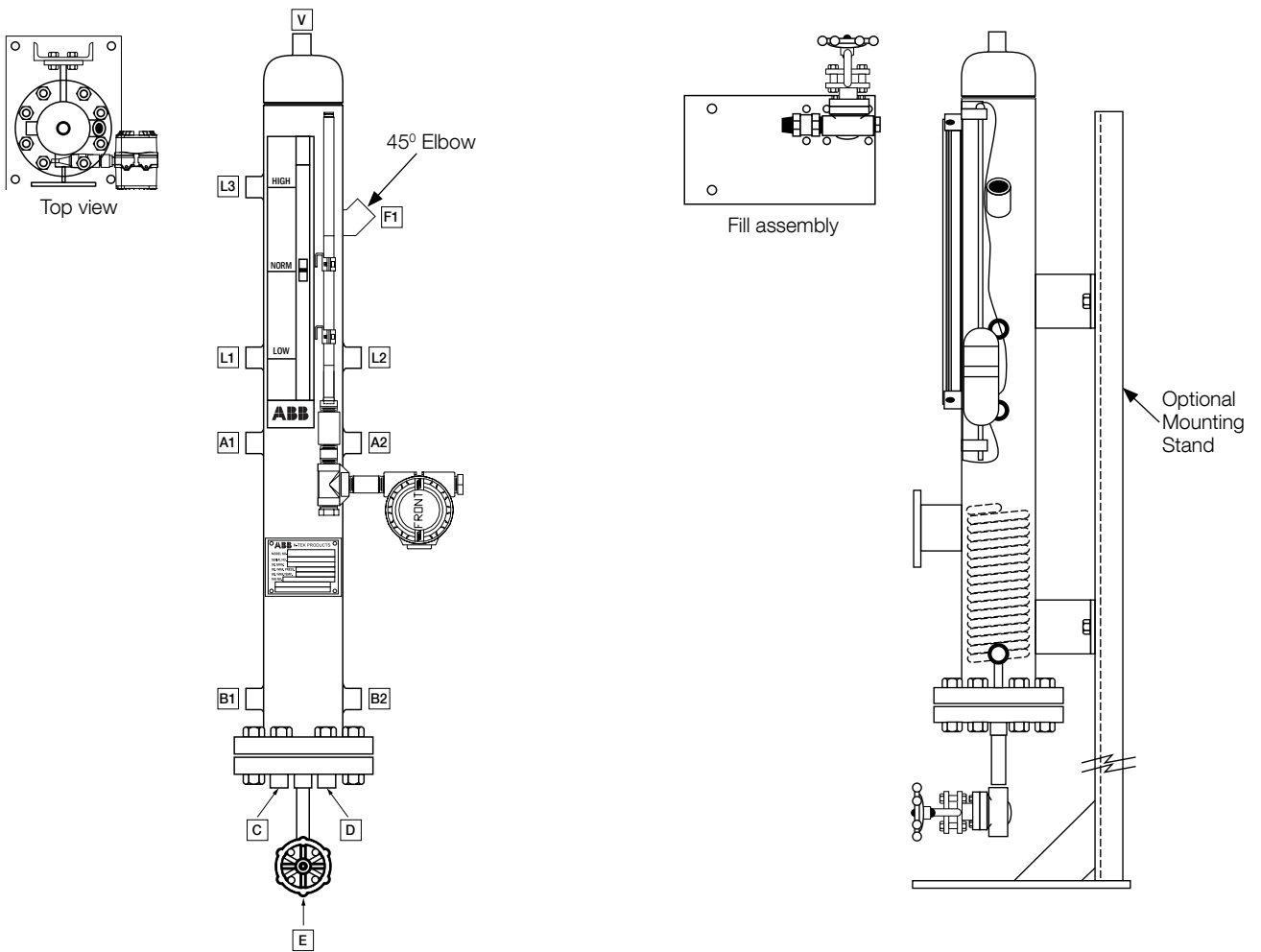
## 3 Gallon (11 liter) and 5 Gallon (19 liter) seal pot for API plan 52 & 53A

### Technical Data

Rating	Up to 600# ANSI/ASME
Material	316/316L SS (Std.), Optional Alloy 20, Hastelloy® C or Monel®
Volume (at normal liquid level)	3 Gallon (11 Liter) / 5 Gallon (19 Liter)
Flange Fasteners	Teflon® coated
Designed to	ASME B31.3 Optional PED Design
Optional Coating	Epoxy Finish, Medium Gray Color
Optional Cooling Coil	316 SS tubing

### Primary Connection Specifications

Connection Description	Type	Quantity	DOW P&ID Label
Barrier Fluid Return (Inlet)	3/4" NPT	2	A <sub>1</sub> , A <sub>2</sub>
Barrier Fluid Supply (Outlet)	3/4" NPT	2	B <sub>1</sub> , B <sub>2</sub>
Barrier Fluid Fill Connection	1" NPT	1	F <sub>1</sub>
Drain	3/4" NPT	1	E
Low Level Switch	3/4" NPT	2	L <sub>1</sub> , L <sub>2</sub>
High Level Switch	3/4" NPT	1	L <sub>3</sub>
Cooling Water Supply	3/4" NPT	1	C
Cooling Water Return	3/4" NPT	1	D
Vent	3/4" NPT	1	V



## Ordering Information

G5S.a.b.c.d.e.f.g.h.i.j		
a.	Seal Pot Volume	
	3	3 gallon (11 liter)
	5	5 gallon (19 liter)
b.	Flange Rating	
	150	150#
	300	300#
	600	600#
c.	Material Type	
	SS	316/316L SS
	A20	Alloy 20
	HC	Hastelloy® C
	MN	Monel®
d.	Cooling Coil Option	
	SS	316/316L cooling coil
	IN	Incoloy® 825 cooling coil Note: Available with Hastelloy bottom flange only.
	A20	Alloy 20 cooling coil
	HC	Hastelloy® C cooling coil
	MN	Monel® cooling coil
	NC	No cooling coil
e.	Level Measurement	
	RLT	Guided Wave Radar Level Indicating Transmitter
	MLT	Magnetostrictive Level Transmitter
	SWL	Low Level Switch
	2SWHL	Low Level Switch and High Level Switch
f.	External Paint	
	P	Painted per G16S-0201-03
	NP	Painting not Required

g.	Auxiliary Components	
	THD	Threaded Connections per Standard Detail
	SpTHD	Special Threaded, Number and location as specified
	SpFLG	Special Flanged, Number and location as specified
h.	Code requirements	
	PED	European PED/ATEX required
	X	ASME B 31.3 requirements
	SPEC	Special Design Standards
i.	Barrier Fluid SG	
		Barrier Fluid Specific Gravity (only when a radar is not provided)
	X	When a radar level indicating transmitter is provided
j.	Float Material	
	SS	316 SS
	TN	Titanium
	HC	Hastelloy® C
	MN	Monel®
	X	No float provided when radar level indicating transmitter is specified

### Notes:

- The following certificates and/or reports can be provided:
  - Material test reports
  - Hydrotest reports
- Each unit can be ASME code stamped upon request.
- Optional Coating: External SS surfaces are painted with an epoxy finish in accordance with Dow® specification G16S-0201-03, Final Color RAL7035, Medium Gray.
- Support Stand (items 12, 13, and 14) is galvanized per Dow® specification G16S-0205-03.
- All tapped holes are fitted with solid pipe plugs of same material as seal pot.
- Cooling water supply and return are clearly marked with SS tag attached to coupling with SS wire.
- Level indication is with a shuttle type indicator in a glass tube. The scale will have "LOW," "NORM" and "HIGH" markings.
- Flange fasteners are SA-193 B7 studs and SA-194 GR. 2H nuts. Studs and nuts are both teflon coated per Dow® specification G4S-3252-01.
- The standard gasket is 1/8", spiral wound, 316 SS windings, teflon filler.

\* Dow® (The Dow Chemical Company)

\* TEFLON®, Incoloy® (Registered trademark of Dupont)

\* Hastelloy® (Registered trade mark of Haynes International, Inc.)

\* Monel® (Registered trademark of the INCO)

## Contact us

### ABB Inc.

18321 Swamp Road  
Prairieville, LA 70769 USA  
Phone: +1 225 673 6100  
Service: +1 225 677 5836  
Fax: +1 225 673 2525  
E-mail: [quotes.ktek@us.abb.com](mailto:quotes.ktek@us.abb.com)  
Service e-mail: [ktek-service@us.abb.com](mailto:ktek-service@us.abb.com)

[www.abb.com/level](http://www.abb.com/level)

### Note

We reserve the right to make technical changes or modify the contents of this document without prior notice. With regard to purchase orders, the agreed particulars shall prevail. ABB does not accept any responsibility whatsoever for potential errors or possible lack of information in this document.

We reserve all rights in this document and in the subject matter and illustrations contained therein. Any reproduction, disclosure to third parties or utilization of its contents - in whole or in parts - is forbidden without prior written consent of ABB.

Copyright© 2015 ABB  
All rights reserved

3KXL619000R1001



Sales



Service