



73 - 1 - 5824
22013

ABB i-bus[®] EIB

UP switching sensor

6115-/16-/17- 24 - 500

for UP bus coupling unit 6120 U-500

Operating instructions

only for authorized, skilled electricians with
EIB training

Important instructions

Attention

It is absolutely essential that the EIB bus is installed by an authorized electrician. Laying and connection of bus line and applications devices must be effected in conformity with valid regulations according to DIN - VDE and the EIB manual of the ZVEI/ZVEH.

Notes

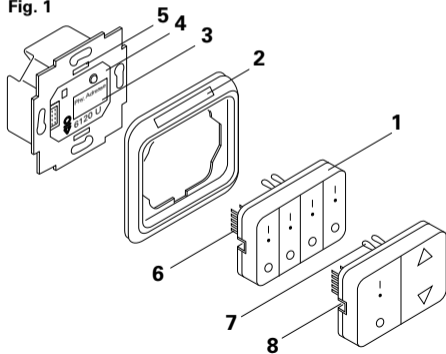
The covering frame supplied with the UP switching sensor (item no. 1721) is equipped with an inspection window (fig. 1, pos. 2). You may use perforated sheets for labelling (item no. 1799).

The manufacturer database of ABB is continuously supplemented and completed. It stores the latest types of applications and their related descriptions. If this database is not available to you, please send us for a copy.

Technical data / Fig. 1

Nominal voltage:	5 V
Current consumption:	< 10 mA
Environmental temperature range:	-5 to +45 °C

Fig. 1



Installation

Plug the application (Fig. 1, pos. 1) onto the UP bus coupling unit (pos. 4) in such a way that the 10-pin connector (pos. 6) on the rear side is not canted or tilted. The plastic webs (pos. 7) on the rear side of the application must be inserted into the relieves (pos. 5) provided in the retaining ring of the bus coupling unit.

Note

Operator function and addressing (see also operating instructions for the UP bus coupling unit) may be programmed simultaneously or at different times.

Dismounting

The application has got two relieves on its left and right hand side (pos. 8) where it may be dismounted from the bus coupling unit. Use these relieves, for otherwise only a single key but not the whole application will be loosened.

Adapt bus coupling process

Assign physical address

- Connect a PC equipped with the EIBA software (ETS) to the EIB bus line via an EIB-RS 232 interface.
- Press the programming key at the bus coupling unit: the red programming LED will become illuminated.
- After the physical address has been programmed, the red LED will go out.
- Write the number of the physical address on your device using a smudge-proof pencil (cf. Fig. 1, pos. 3).

Assign group address(es)

- Group addresses are assigned via a PC in connection with the ETS software.

Adapt bus coupling process

Select application

By default, the UP bus coupling unit is programmed to operate one application for the switching (1-, 2-, 4-fold) of consumers.

To a 4-fold switching sensor, for instance, the following functions apply:

Key	I	0
Function	ON	OFF
LED	red	green
Physical address	F F F F	
Group address	0/1 - 0/4	

These functions apply analogously to the single or 2-fold switching sensor.

Open the device window and choose the desired application version. At present, there are two versions available.

Adapt bus coupling process

Differentiate application

Version 1

A separate group address may be assigned to the LED of the rocker switch. This address is independent from the group address which has been assigned to the switching function of the rocker.

Example for application:

The LED shall indicate the current switching status of an actuator which is selected via several group addresses.

Version 2

The group address of the rocker's switching function and that of the integrated LED are identical.

The LED will not change its colour, if a data telegram has not been transmitted properly.

Adapt bus coupling process

Instructions

You may differentiate version 1 and 2 by means of the ETS via the “parameters” option:

- LED colour
The colour of the LED in ON/OFF state may be set to “red” or “green”.
- LED function
Assign a function to individual LED's or set them without any function; this means that an LED which has not been assigned any function will not change its colour.

If a touch contact / dimmer function is requested, the UP bus coupling unit has to be loaded with different ABB application data (applications).