

We reserve all rights in this document and in the information contained therein. Reproduction, use or disclosure to third parties without express authority is strictly forbidden. © ABB 19

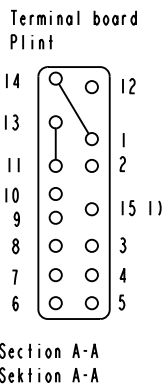
Pos. Lage	R connects förbinder	H connects förbinder
1	12-13	2-15
2A		3-15
2		4-15
3A		5-15
3B		6-15
3		7-15
4A		8-15
4		9-15
5A		10-15
5B		11-15
5	12-14	12-15
5C		1-15
5D		2-15
5E		3-15
6		4-15
6A		5-15
7		6-15
7A		7-15
7B		8-15
8		9-15
8A	10-15	
9		10-15

A position with letter is a through position and gives the same voltage as the normal position.

Läge med bokstav är ett genomloppsläge och ger samma spänning som normalläget.

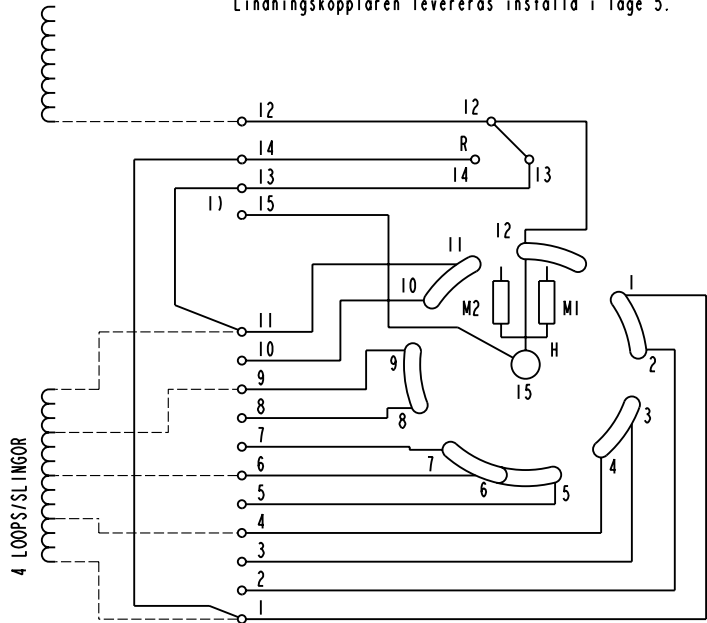
1) Connections between the terminals 15 of the three phases are included in the star-point type.

Förbindningar mellan uttag 15 i de tre faserna ingår i nollpunktsutförandet.



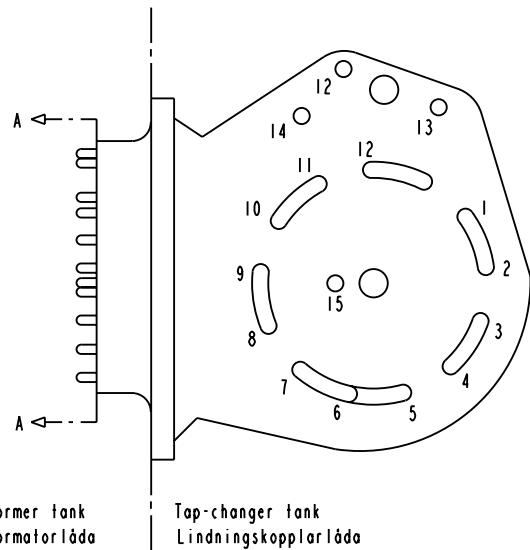
On-load tap-changer type UZER., UZFR., 9 tap positions, plus/minus switching.
Max effective No. of turns in pos. 1.
The tap-changer is delivered set in pos. 5.

Lindningskopplare typ UZER., UZFR., 9 lägen, plus/minus-koppling.
Max antal effektiva varv i läge 1.
Lindningskopplaren levereras inställd i läge 5.



The tap-changer is shown in pos. 5
Lindningskopplaren visad i läge 5

- R Change-over selector Plus/minus-omkopplare
- H Main contact Huvudkontakt
- M1, M2 Transition contacts Motståndskontakter



Sheet	Cont	Year	Week	Rev	Dept	Year	Week
		-	-	-	-	-	-
Rev In	Revision	Appd	Year	Week	Description (English)		
	R. Yngvesson				Accepted for prod by		
Design checked by	B-O. Stenestam	Drawn by	L. Bergman	Description (own language)			DATA ORIGINAL
	M. Hedlund	Issued by	COM/TKO	Year	Week	File name	
				97	33	0394-1	
Lang	Sheet	5492 0394-1					
Rev In	Cont						
ABB Asea Brown Boveri							