

ABB INDUSTRIAL CONTROL TRANSFORMER

100 VA
PRIMARY:
550/575/600
SECONDARY:
110/115/120
FREQUENCY:
50/60 HZ

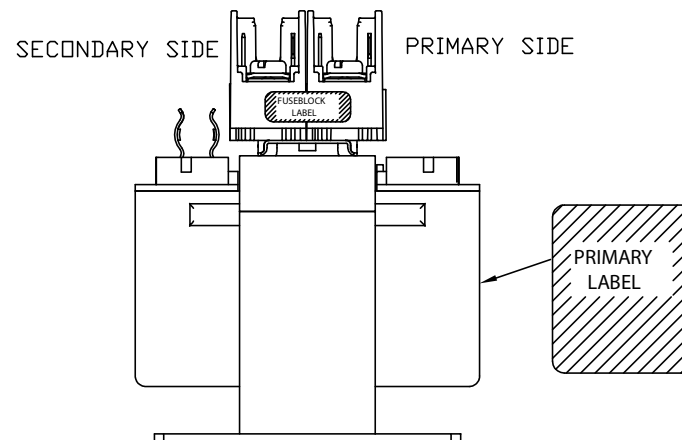
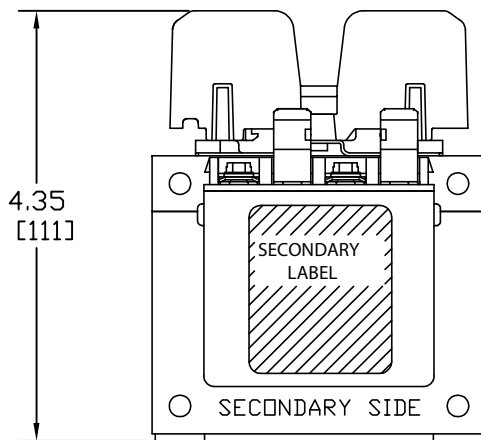
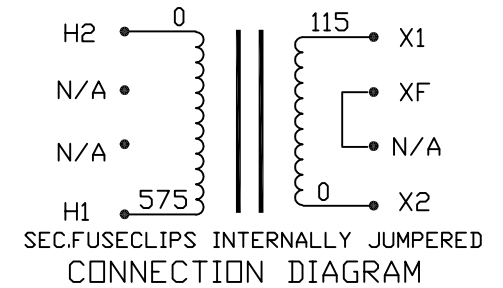
QTY. 1

UL US

MADE IN USA

Cat. **T6100PS1**

Transformer Specifications	
PRIMARY VOLTAGE(S)	575 TRIPLE RATED
SECONDARY VOLTAGE(S)	115
RATED V.A.	100
RATED FREQUENCY	50/60
INSULATION CLASS	105
AGENCY APPROVALS	UL, CUL
ESTIMATED WEIGHT	4.2 LBS



- NOTES:
1. ALL MEASUREMENTS IN INCHES (MM)
 2. TERMINAL SCREWS ARE COMBO #8-32 PHIL-SLOT-1/4" HEX WITH SEMS WASHER.
 3. 2 POLE, CLASS "CC" PRIMARY FUSE BLOCK, ACCOMMODATES TWO 13/32" X 1-1/2" CLASS "CC" FUSES.
 4. SECONDARY FUSE CLIP ACCOMMODATES ONE 13/32" X 1-1/2" MIDGET FUSE.

ABB INDUSTRIAL CONTROL TRANSFORMER

TORQUE TERMINALS TO 16 IN.-LBS.

LISTED 100 VA 50/60 HZ

762X

E46323

TEMP CL. 105°C

CAT. NO. **T6100PS1**

PACKAGED ACCESSORIES			
1			
-	-		
ABB			
DATE	12/7/18	DRAWN	JAW
CHECKED		APPROVED	
RELEASE DATE			
1TQY200060X0013			
T6100PS1			

REV	DESCRIPTION	DATE	BY
A	I3 CONSTRUCTION	12/07/18	JW
ECL	REVISIONS		