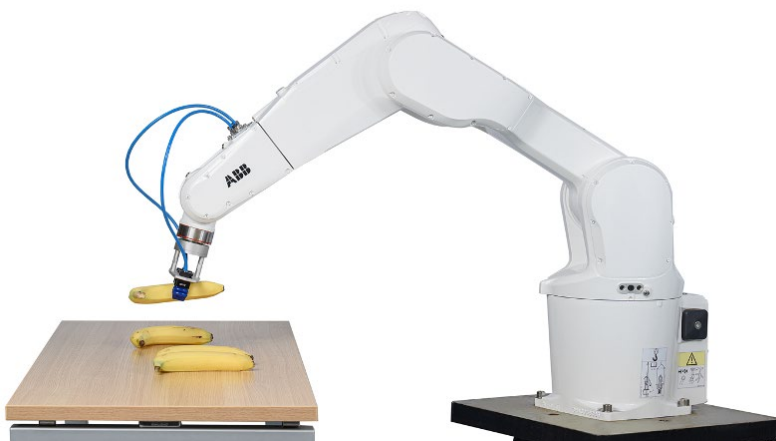


IRB 1200 Hygienic

6 axes robot with hygienic features promoting food safety



IRB 1200 Hygienic robot option features wipe down and wash down cleaning (with a protection cover), safeguarding food safety and opening new application fields in food processing and food service.

Hygienic design

The IRB 1200 Hygienic robot offers two types of cleaning: wipe down cleaning for use in low care food packaging environments and wash down cleaning, where the is fitted with a protection cover, for use in high care food processing and packing environments. For the Food & Beverage sector these new hygienic features promote food safety for primary packaging and hygienic food processing of products such as meat, fish, fruits, vegetables, and dairy produce and for the Food Service sector the new hygienic features promote food safety in food handling and assembly applications for quick service restaurants, kiosks and high-volume central kitchens.

Easy to clean

Low Care Applications

The IRB 1200 Hygienic robot is easy to clean, it can be wiped down with a specified wipe down detergent and a lint free cloth.

High Care Applications

A cover can be fitted to the robot body and the IP69K (Max.30bar) stainless steel axis 6 flange can be cleaned using a defined cleaning regime and specified washdown detergents and sanitizers.

Hygienic protection

The IRB 1200 Hygienic robot is equipped with special sealings and FDA compliant coatings,

the axes 6 tool flange is stainless steel. IP67-rated full body and IP69K (Max.30bar) rated on axis 6 flange prevent water, liquids, and solids ingress into the robot, ensuring stable production. NSF H1 Food Grade Oil throughout is designed to meet the constraints of the Food & Beverage and Food Service sectors.

PickMaster® Twin

– from conception to operation and beyond

PickMaster Twin is the market leading robotic software for vision-guided random flow picking and packing applications. PickMaster Twin features digital twin technology, which increases productivity by dramatically shortening commissioning times from days to hours and changeover times from hours to minutes.

Powered by OmniCore controllers

OmniCore C30 controller is a small footprint robot controller, the 19" rack and vertical mounting kits and reduced volume maximize ease of use and release control panel real-estate.

Key features:

- FDA compliant paint
- Robot body protection class – IP67 throughout
- Axis 6 protection class - IP69K Max.30bar
- Axis 6 - stainless steel for hygienic protection
- NSF H1 Food Grade Lubrication
- Cable entry from the base bottom

Hygienic robot

Specification

Robot version	Reach (m)	Payload (kg)	Armload (kg)
IRB 1200-7/0.7	0.7	7	0.3
IRB 1200-5/0.9	0.9	5	0.3
Number of axes	6		
Protection	Wipe down, wash down with cover Ax6 P69K, max. 30bar water pressure, max. 80°C temperature.		
Mounting	Any angle		
Controller	OmniCore E10, C30, C90XT, IRC5 Compact/IRC5 Single Cabinet		
Integrated signal and power supply	10 signals on wrist		
Integrated air supply	4 air on wrist (5 Bar)		
Integrated ethernet	One 100/10 Base-TX ethernet port		

Performance (according to ISO 9283)

	IRB 1200-7/0.7	IRB 1200-5/0.9
1 kg picking cycle		
25 x 300 x 25 mm	0.41s ¹	0.42s ¹
Max. TCP Acceleration	35 m/s*s	36 m/s*s
Acceleration time 0-1 m/s	0.06 s	0.06 s
Position repeatability	0.02 mm	0.025 mm

¹ based on OmniCore C30 and E10

Technical information

Electrical Connections

Supply voltage	200-600 V, 50-60 Hz
Rated power transformer rating	4.5 kVA
Power consumption	0.39 kW

Physical

Robot base	210 x 210 mm
Robot height	
IRB 1200-7/0.7	869 mm
IRB 1200-5/0.9	967 mm
Robot weight	
IRB 1200-7/0.7	52 kg
IRB 1200-5/0.9	54 kg

Environment

Ambient temperature for robot manipulator	
Hygienic during operation	+ 5°C (41°F) to + 35°C (95°F) If > 35°C (95°F), pls contact ABB
Complete robot during transportation and storage	- 25°C (-13°F) to + 55°C (131°F)
During short periods (max. 24 hours)	up to + 70°C (158°F)
Relative humidity	Max. 95%
Noise level	< 70 dB

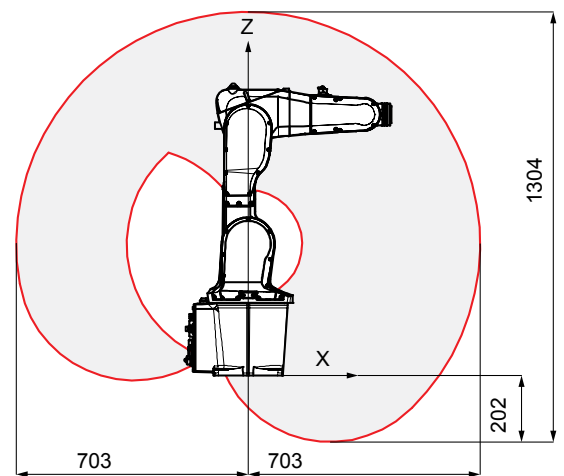
Data and dimensions may be changed without notice.

Movement

Axis movement	Working range	Axis max. speed
Axis 1 rotation	+170° to -170°	280°
Axis 2 arm	+135° to -100° ²	230°
Axis 3 arm	+70° to -200°	290°
Axis 4 wrist	+270° to -270°	380°
Axis 5 bend	+128° to -128°	380°
Axis 6 turn	Default: +400° to -400° Max. rev: ±242	600°

² Axis 2 for IRB 1200-5/0.9 is +130° to -100°

Working range, IRB 1200 7/0.7



Working range, IRB 1200 5/0.9

