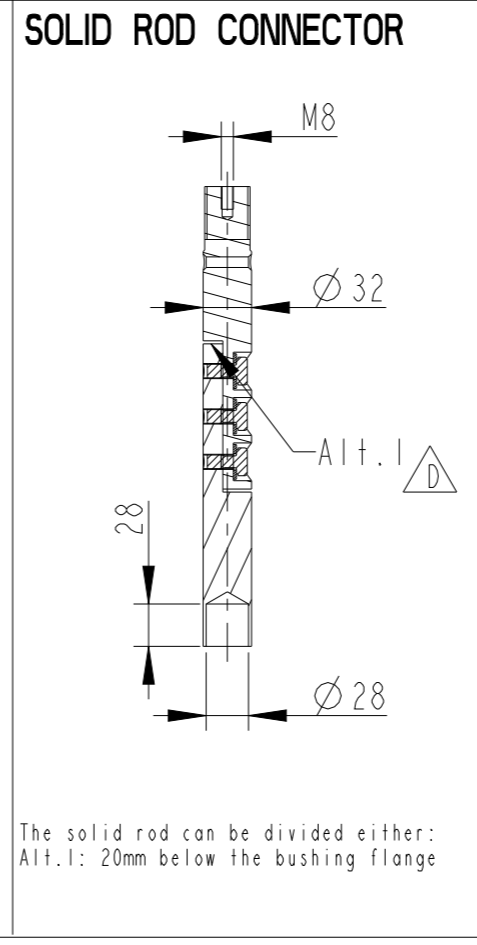
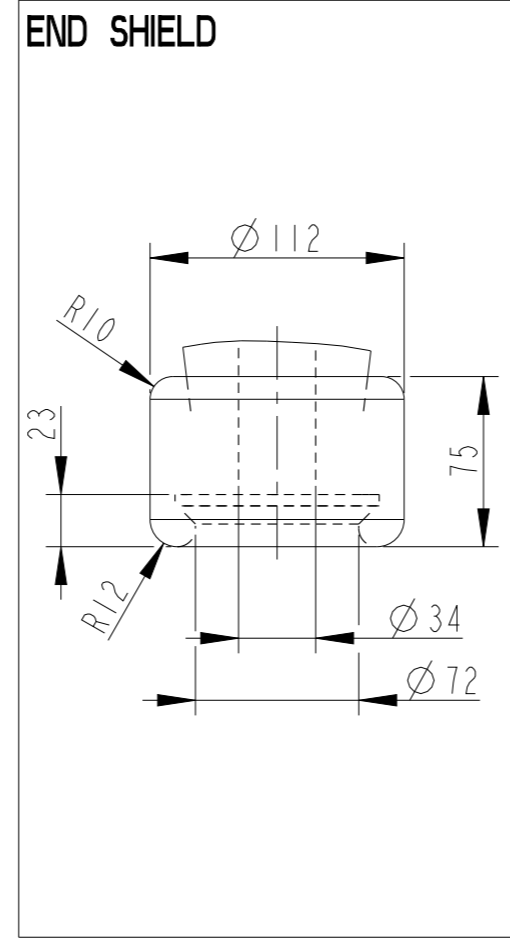
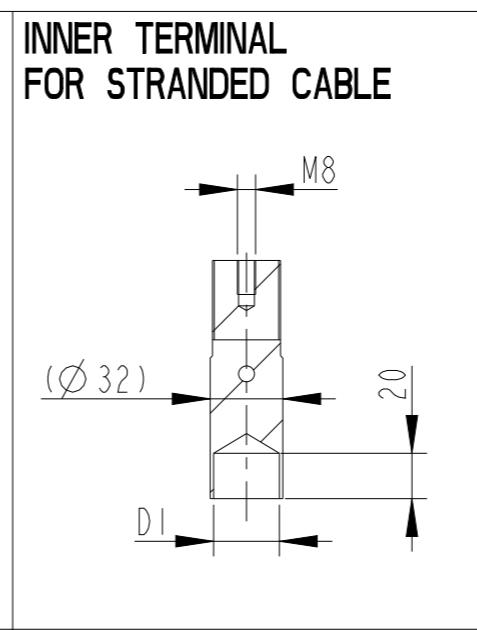
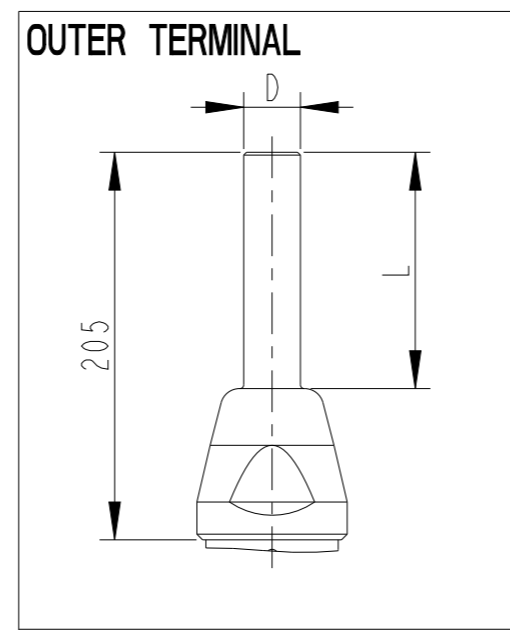
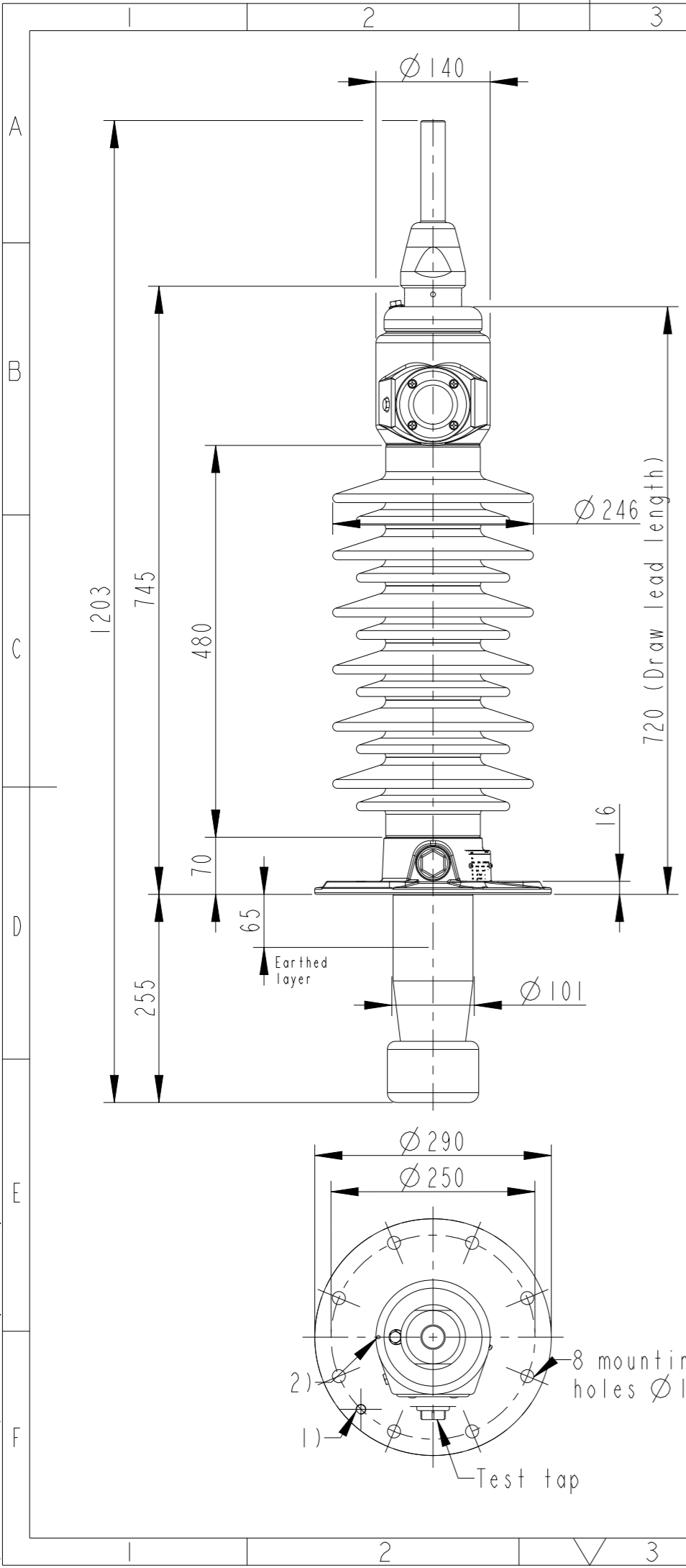


This document is issued by means of a computerized system. The digitally stored original is electronically approved. The approved document has a date entered in the "Approved"-field. A manual signature is not required.

We reserve all rights in this document and in the information contained therein. Reproduction, use or disclosure to third parties without express authority is strictly forbidden.

| Revision | Revision text  |
|----------|--|
| D        | Removed Alt.2, Changed the Phase to ground voltage from 52 to 30kV |



### Bushing Data:

|                                      |                  |    |
|--------------------------------------|------------------|----|
| Rated Voltage                        | 52               | kV |
| Phase to Ground Voltage              | $\triangle D$ 30 | kV |
| Dry Lightning Impulse 1,2/50 $\mu$ s | 250              | kV |
| Wet power frequency AC               | 105              | kV |
| Routine test 1min dry 50Hz           | 120              | kV |
| Rated Current                        | 1250             | A  |
| Creepage Distance                    | 1500 $\pm$ 50    | mm |
| Creepage Distance Protected          | 580              | mm |
| Mass                                 | 33               | kg |

### Ordering Data:

| BUSHING     | COLOUR     | AIR INSULATOR      |
|-------------|------------|--------------------|
| LF123167-K  | BROWN      |                    |
| LF123167-L  | LIGHT GREY |                    |
| LF123167-HK | BROWN      | Horizontal 45°-90° |
| LF123167-HL | LIGHT GREY | Horizontal 45°-90° |

### OUTER TERMINAL

|              | Material | D         | L   |
|--------------|----------|-----------|-----|
| LF 170 002-B | Cu Alloy | $\phi$ 30 | 125 |
| LF 170 001-B | Al       | $\phi$ 30 | 125 |

OTHER TYPES ON REQUEST

### INNER TERMINAL FOR STRANDED CABLE

| For brazing  | Conductor area                     | D1        |
|--------------|------------------------------------|-----------|
| LF 170 011-T | up to 285mm <sup>2</sup>           | $\phi$ 29 |
| LF 170 011-V | Undrilled with pilot hole $\phi$ 5 |           |

### SOLID ROD CONNECTOR

|                          | Material |
|--------------------------|----------|
| LF 170 052 -BC for Alt.1 | Cu       |

- M12 (For Earthing)
- $\phi$  4 Oil connection hole (only valid for horizontal mounting)

| ABB |                 | Ludvika, Sweden |          |
|-----|-----------------|-----------------|----------|
| No. |                 |                 |          |
| Um  | kV Ir           | A               | 50/60 Hz |
| BL  | kV SIL          | kV AC           | kV       |
| M   | kg L            | mm              | ✓        |
| C1  | pF Tan $\delta$ | x               |          |
| C2  | pF Tan $\delta$ | x               |          |

|  |   |                    |               |                  |
|--|---|--------------------|---------------|------------------|
| Approved<br>2019-11-22                     | Document Kind<br>Outline Drawing  | Based on doc. id   | Work order id | Project id       |
| Company<br>ABB Technology Ltd              | Title, Supplementary title<br>GOB 250-1250-0<br>WITH OIL LEVEL GAUGE SHORT END SHIELD |                    |               |                  |
| Responsible Department<br>SEABB-9AAE300824 | Document id<br>2751369-175  | Status<br>Released | Revision<br>D | Iteration<br>1/1 |
| <b>ABB</b>                                 |   |                    |               |                  |