

Epoxy Technology



IndustrialIT
enabled™



Epoxy Technology



Epoxy Technology

Epoxy processing



Epoxy Technology

Manufacturing of embedded poles



ABB

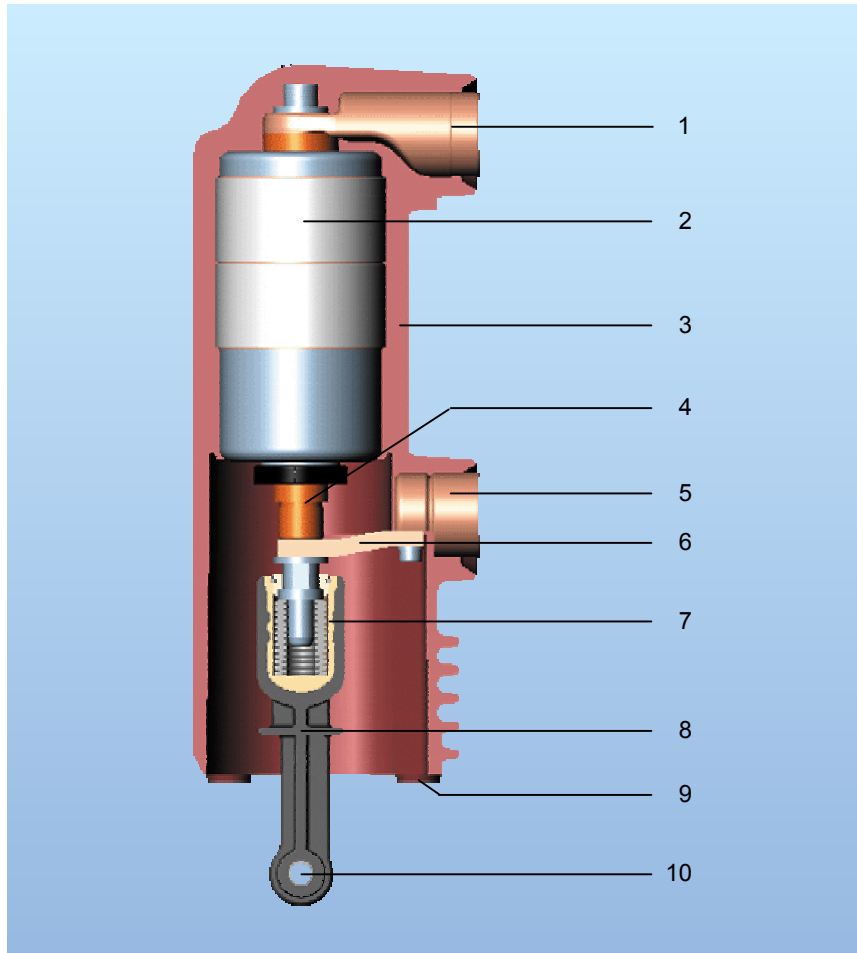
Epoxy Technology

Quality control



ABB

Epoxy Technology



New pole design – The embedded pole

- 1 Terminal
- 2 Vacuum interrupter
- 3 Epoxy resin
- 4 Stem
- 5 Terminal
- 6 Flexible connection
- 7 Contact force spring
- 8 Push rod
- 9 Fixing point
- 10 Connection to drive

Epoxy Technology



Indoor poles

Epoxy Technology



Indoor pole P1

Rated
voltage

12/17.5 kV

Rated
current

...1250 A

Rated short-
circuit breaking
current

...31.5 kA



Epoxy Technology



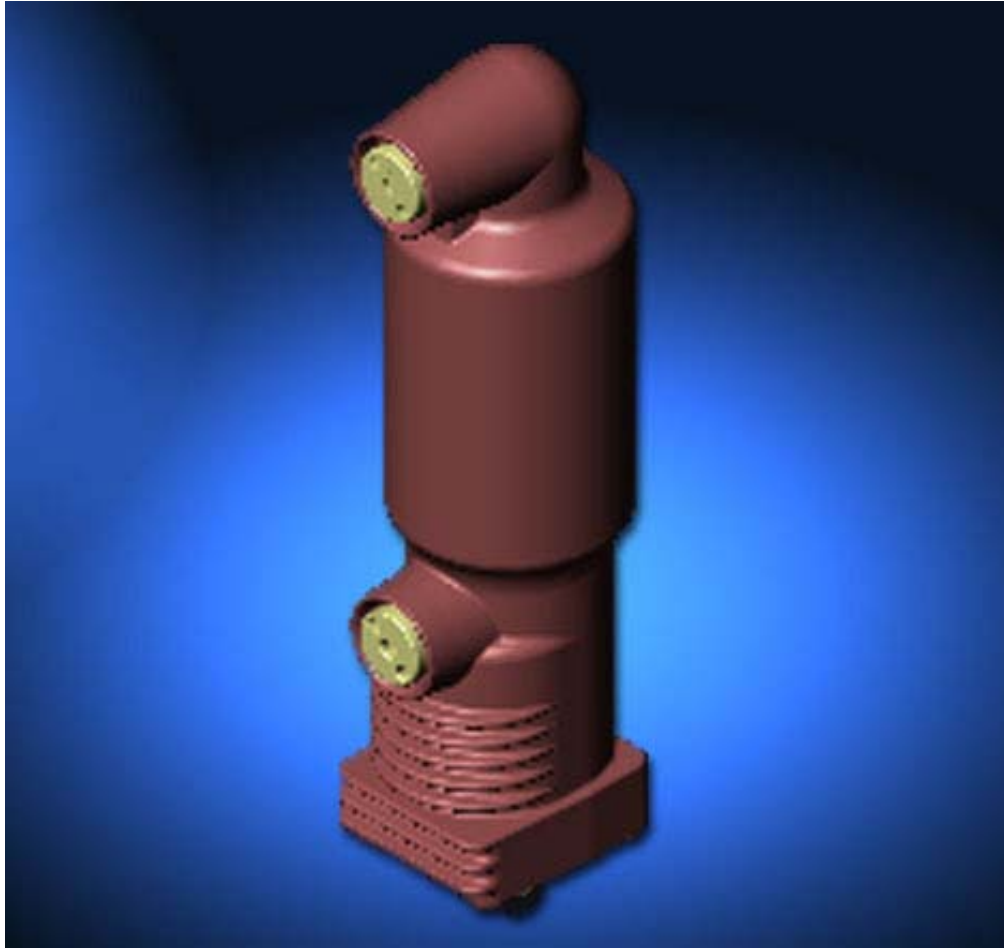
Indoor pole P2

Rated voltage	Rated current	Rated short-circuit breaking current
12/17.5 kV	...2500 A ¹⁾	...31.5 kA
12 kV	...2500 A ¹⁾	40 kA

¹⁾ 2500 A with heat-sink



Epoxy Technology



Indoor pole P3

Rated voltage	Rated current	Rated short-circuit breaking current
12/17.5 kV	...1250 A	...31.5 kA
12 kV	...1250 A	40 kA



Epoxy Technology



Indoor pole P4

Rated
voltage

24 kV

Rated
current

...1250 A

Rated short-
circuit breaking
current

...25 kA



Epoxy Technology



Indoor pole P4-S

Rated
voltage

24 kV

Rated
current

...1250 A

Rated short-
circuit breaking
current

...25 kA



Epoxy Technology



Indoor pole P5

Rated
voltage

24 kV

Rated
current

...2500 A¹⁾

Rated short-
circuit breaking
current

...25 kA

¹⁾ 2500 A with heat-sink



Epoxy Technology



Vacuum interrupter in
silicone embedding technique

VG4 Silicone

24 kV ...2500 A ...20 kA ...30,000

Silicone diameter: 100 mm

VG4-S Silicone

24 kV ...2500 A ...25 kA ...30,000

Silicone diameter: 100 mm

VG6 Silicone

36 kV ...3150 A ...25 kA ...30,000

Silicone diameter: 119 mm



Epoxy Technology

Epoxy components



Epoxy Technology



New pole design –
The embedded poles

ABB

ABB