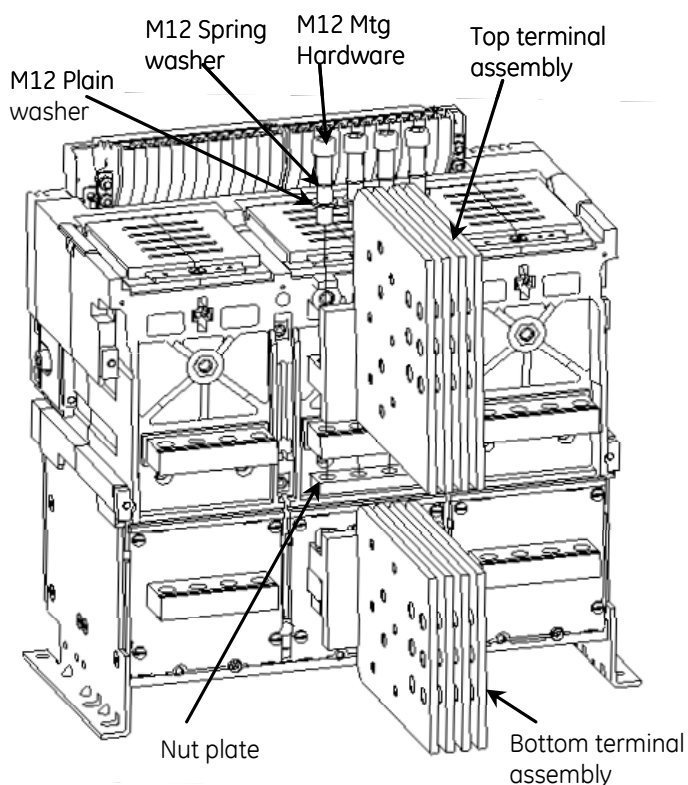


EntelliGuard® G Circuit Breaker Accessories Back Connected Terminations for Fixed Breaker

Back Connected Terminations Envelope 2, 3200A ANSI, Fixed type

Terminal assemblies are supplied with the EntelliGuard breaker. Fixed breakers have Back or Front Connected Terminations available. This instruction is for Back Connected Terminations



**Fig A. Back Connected Terminations assembly, (Middle pole)
For 3200 Amperes (ANSI) 3 pole, fixed type**

**Table 1. Back Connected Terminations
Catalog numbers**

Envelope Size	Catalog #	Description	TYPE
Envelope 2	GBB232TBB3	Top side	3 pole
	GBB232BBB3	Bottom side	3 pole
	GBB232TBB4	Top side	4 pole
	GBB232BBB3	Bottom side	4 pole

WARNING: Before installing any accessories, turn the breaker OFF, disconnect it from all voltage sources, and discharge the closing springs.

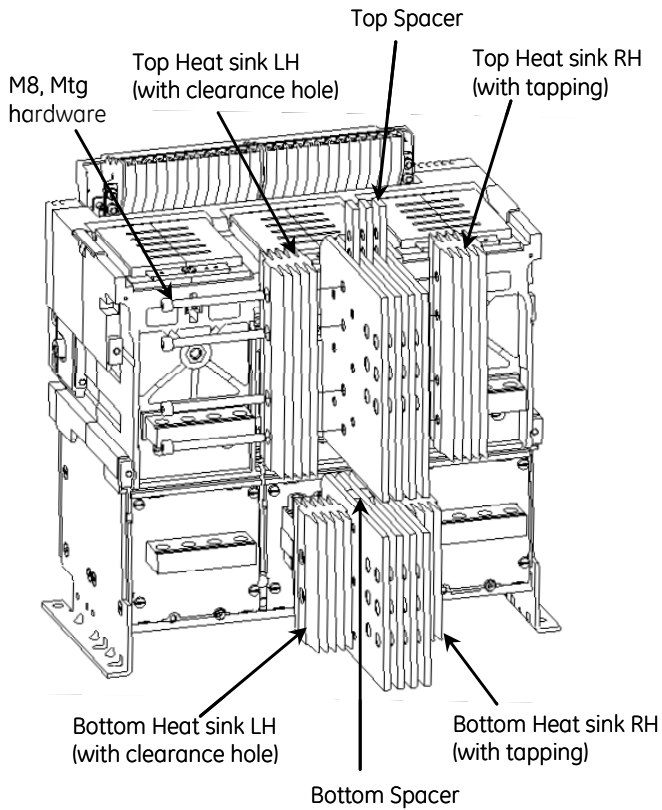
AVERTISSEMENT: Avant d'installer tout accessoire, mettre le disjoncteur en position OFF, le déconnecter de toute tension d'alimentation, et décharger les ressorts d'armement

Back Connected Terminations Assembly (3 Pole) Procedure:

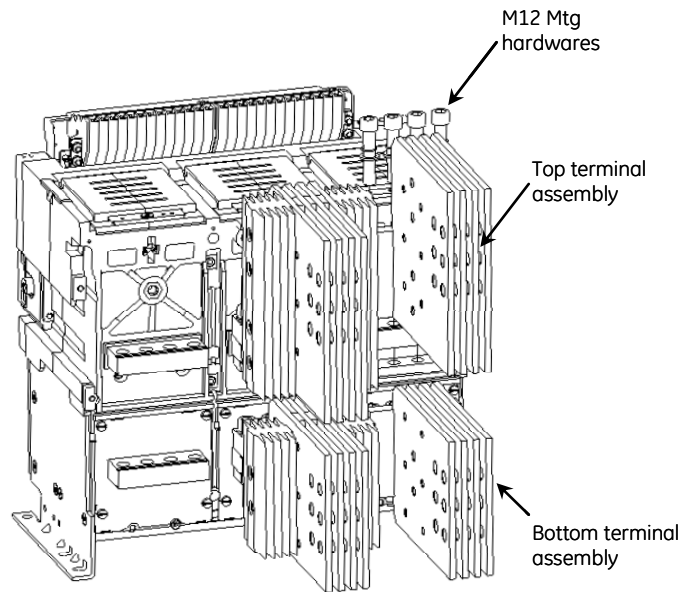
1. Turn the breaker off and discharge the closing springs by depressing the OFF and ON buttons in the sequence OFF-ON-OFF. Verify that the breaker OFF-ON indicator shows OFF on a green background and that the charge indicator shows DISCHARGE on a white background.
2. First assemble & orient the middle terminations assemblies on to the breaker rear terminals as shown in Fig A.
3. Middle top & bottom terminal assemblies to be tightened with M12 hardware's as shown in Fig A, to 80 Nm (59 ft-lbs) torque.
4. Assemble the heat sinks LH & RH with spacers introduced in between the multiple pads of terminal assemblies as shown in Fig B for bottom & top sides. Tightened them with M8 mounting hardware's to 16 Nm (11.8 ft-lbs) torque.
5. Assemble the outer terminal assemblies on bottom and top side with M12 hardware tightened to 80 Nm (59 ft-lbs) torque as shown in Fig C.
6. Assemble the heat sinks RH with clearance holes & spacers introduced in between the multiple pads of outer terminal assemblies as shown in fig D, for bottom & top sides and tightened them with M8 mounting hardware's to 16 Nm (11.8 ft-lbs) torque.

7. Assemble remaining terminal assemblies similarly on all poles so as to populate as 3pole / 4 pole breaker.

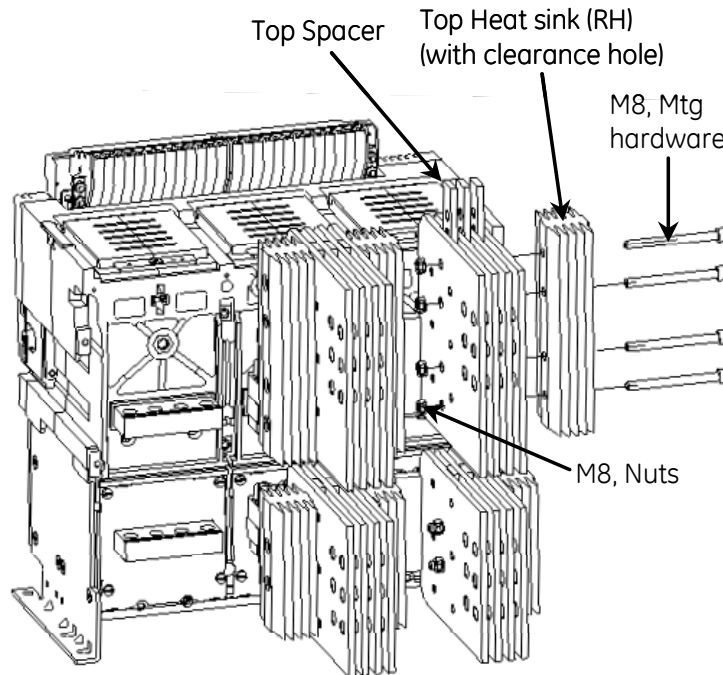
8. The bus bars to be supported within 200mm distance and tightened to 80Nm (59 ft-lbs) torque.



**Fig B. Heat sink Asm with spacers (Middle pole)
For 3200A , (ANSI) 3 pole, fixed type**



**Fig C. Outer pole, Back Connected Terminations
asm For 3200 A, (ANSI) 3 Pole, fixed type**



**Fig D. Outer pole Heat Sink with spacer assembly
For 3200 Amperes (ANSI), 3 Pole, Fixed type**

**** For 3 Pole , L2 Phase to have two heat sinks,
While outer poles L1 & L3 to have only one outer
heat sinks assembled**

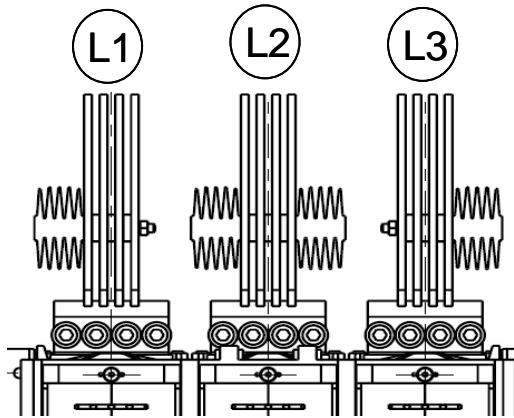


Fig E. Envelope 2, 3200A ANSI 3 Pole, fixed type, Top view

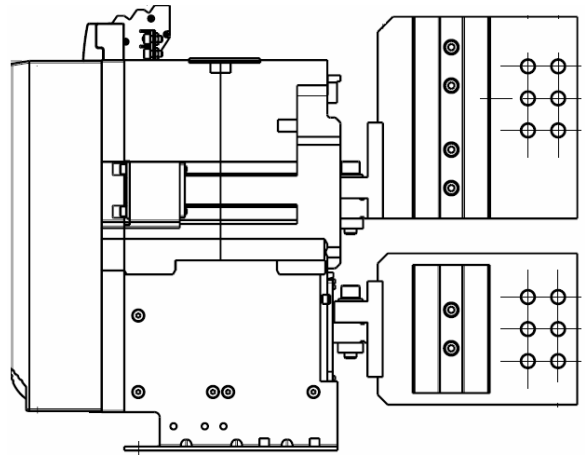


Fig F. Envelope 2 , 3200A ANSI 3 Pole, fixed type, Side view

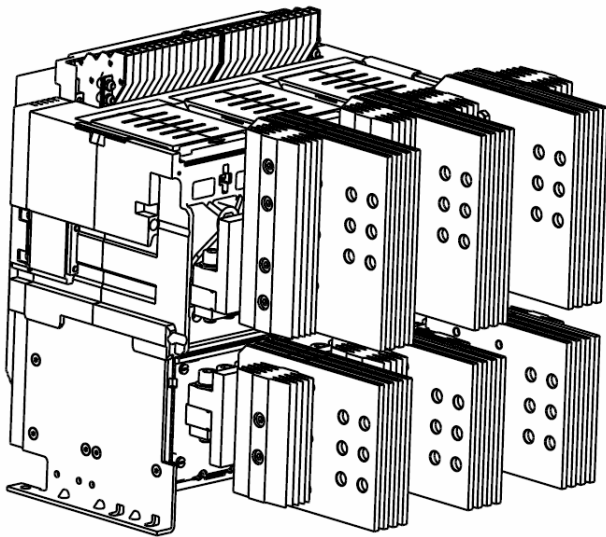


Fig G. Envelope 2, 3200A ANSI 3 Pole, fixed type

Back Connected Terminations Assembly (4 Pole) Procedure:

1. Similar Procedure to be followed for 4 pole breaker with neutral on right or left.
2. For 4 Pole breaker, assemble the L2 pole with two heat sinks first. Then assemble the adjacent poles with only one outer heat sinks. Refer Fig H – Fig L.

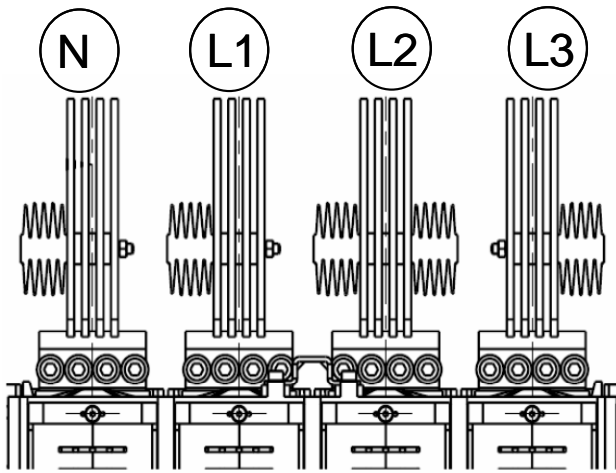


Fig H. Envelope 2, 3200A ANSI 4 Pole, Neutral Left, Top view

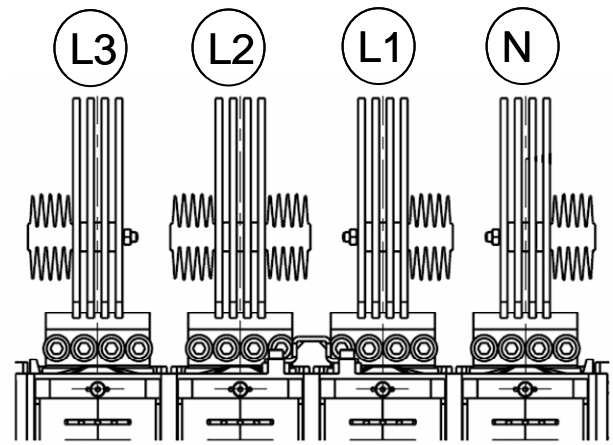


Fig J. Envelope 2, 3200A ANSI 4 Pole, Neutral Right, Top view

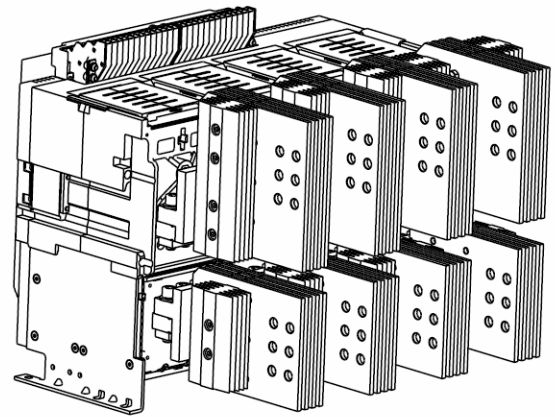


Fig K. Envelope 2, 3200A ANSI 4 Pole, Neutral Right, fixed type

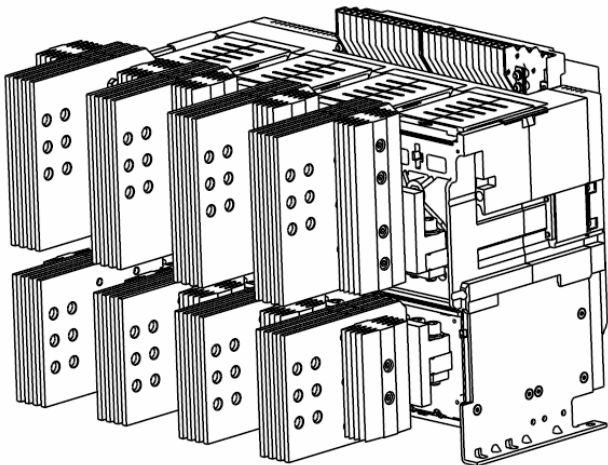


Fig I. Envelope 2, 3200A ANSI 4 Pole, Neutral left, fixed type

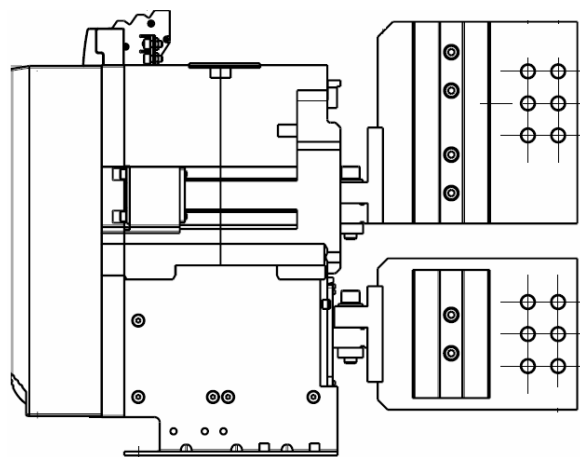


Fig L. Envelope 2, 3200A 4 Pole, fixed type, Side view

These instructions do not cover all details or variations in equipment nor do they provide for every possible contingency that may be met in connection with installation, operation, or maintenance. Should further information be desired or should particular problems arise that are not covered sufficiently for the purchaser's purposes, the matter should be referred to the ABB Inc.

—
ABB Inc.
305 Gregson Drive
Cary, NC 27511.
electrification.us.abb.com

—
We reserve the right to make technical changes or modify the contents of this document without prior notice. With regard to purchase orders, the agreed particulars shall prevail. ABB Inc. does not accept any responsibility whatsoever for potential errors or possible lack of information in this document.

We reserve all rights in this document and in the subject matter and illustrations contained therein. Any reproduction or utilization of its contents – in whole or in parts – is forbidden without prior written consent of ABB Inc.
Copyright© 2019 ABB
All rights reserved