

OVRHT3D

Surge protective device (SPD)



Features

- UL listed 1449 5th edition for Type 1 SPD applications
- 50 kA per phase protection
- Individual thermally fused and protected MOVs
- Includes pre-wired pigtail conductors
- Multiple MOVs per phase eliminate single-point failure

OVRHT3D 3-phase SPD

Product specifications

Electrical

Maximum surge current	50 kA per phase
UL type designation	Type 1
UL 1449 nominal discharge current rating (I-n)	20 kA
UL 1449 fault rating/short circuit current rating (SCCR)	200 kAIC

Design specifications

Product design	Individual thermally fused and protected MOVs
Connection methods	External parallel connected for mounting next to electrical gear
Typical connection	18" #12 AWG (pre-wired pig tails)

Technical data

Humidity range	0–95% non-condensing
Operating environment	-35 °C to +85 °C (-31 °F to +185 °F)
Operating frequency	50–60 Hz
Modes of protection	See performance data

Enclosure

Enclosure type	Polycarbonate, NEMA 4X
Installation location	Indoor/outdoor
Mounting method	12.7 mm (½") NPT side-mount nipple

Size specifications

Dimensions	4.25" × 2.41" × 2.75"
Weight	0.23 kg (0.5 lb.)

Diagnostic and status monitoring specifications

LED protection status monitoring standard	Status indicator light, 1 per phase
---	-------------------------------------

Standards compliance and certifications

UL 1449 5th Edition: 2021, cULus, (UL File: VZCA E316636), ANSI/IEEE C62.41.1-2002, C62.41.2-2002, C62.45-2002, NEC Article 285

ISO 9001: 2014 quality management system, ISO 17025:2007 laboratory certification (UL DAP program) compliance with RoHS, REACH and California Prop 65

100% quality tested prior to shipping

Performance data

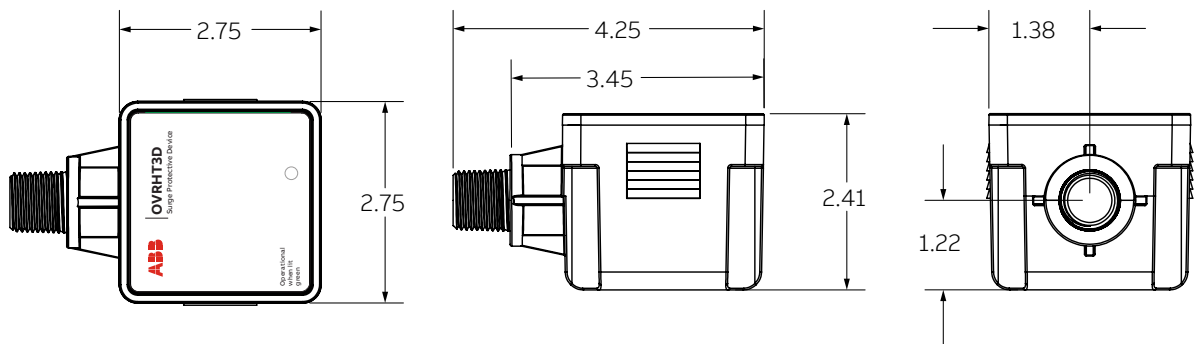
	Voltage	Modes	VPRs	MCOV
OVRHT3D501201P	120	L-N	700	180
		L-G	1200	180
		N-G	600	180
OVRHT3D502201P	220	L-N	1200	350
		L-G	2000	350
		N-G	1200	350
OVRHT3D502301P	230	L-N	1200	350
		L-G	2000	350
		N-G	1200	350
OVRHT3D502401P	240	L-N	1200	350
		L-G	2000	350
		N-G	1200	350
OVRHT3D502771P	277	L-N	1200	350
		L-G	2000	350
		N-G	1200	350
OVRHT3D501202S	240/120	L-L	1200	360
		L-N	700	180
		L-G	1200	180
		N-G	600	180
OVRHT3D502402S	480/240	L-L	2000	700
		L-N	1200	350
		L-G	2000	350
		N-G	1200	350
OVRHT3D501203Y	208/120	L-L	1000	300
		L-N	600	150
		L-G	1000	150
		N-G	600	150
OVRHT3D502203Y	380/220	L-L	2000	700
		L-N	1200	350
		L-G	2000	350
		N-G	1200	350

	Voltage	Modes	VPRs	MCOV
OVRHT3D502303Y	400/230	L-L	2000	700
		L-N	1200	350
		L-G	2000	350
		N-G	1200	350
OVRHT3D502403Y	415/240	L-L	2000	700
		L-N	1200	350
		L-G	2000	350
OVRHT3D502773Y	480/277	L-L	2000	700
		L-N	1200	350
		L-G	2000	350
OVRHT3D502403D	240	L-L	1200	275
		L-G	1200	275
		N-G	1200	275
OVRHT3D503803D	380	L-L	2000	550
		L-G	2000	550
OVRHT3D504003D	400	L-L	2000	550
		L-G	2000	550
OVRHT3D504803D	480	L-L	2000	550
		L-G	2000	550
OVRHT3D506003D	600	L-L	2500	680
		L-G	2000	680
OVRHT3D502403H	240/120	L-L	1200	275
		L-N	700	180
		L-G	1200	180
		N-G	700	180
		H-L	1500	275
		H-N	900	275
		H-G	1500	275

Ordering information

Model number	Global product ID	Voltage	Configuration	MOQ
OVRHT3D501202S	2CJC705120S0000	240/120 V	2-phase, 3-wire + ground	1
OVRHT3D501203Y	2CJC705120Y0000	208/120 V	3-phase Wye, 4-wire + ground	1
OVRHT3D502773Y	2CJC705277Y0000	480/240 V	3-phase Wye, 4-wire + ground	1
OVRHT3D504803D	2CJC705480D0000	480 V	3-phase Delta, 3-wire + ground	1
Special order				
OVRHT3D502203Y	2CJC705220Y0000	380/220 V	3-phase Wye, 4-wire + ground	12
OVRHT3D502201P	2CJC705220P0000	220 V	1-phase, 2-wire + ground	12
OVRHT3D502301P	2CJC705230P0000	230 V	1-phase, 2-wire + ground	12
OVRHT3D503471P	2CJC705347P0000	347 V	1-phase, 2-wire + ground	12
OVRHT3D502402S	2CJC705240S0000	480/240 V	2-phase, 3-wire + ground	12
OVRHT3D502303Y	2CJC705230Y0000	400/230 V	3-phase Wye, 4-wire + ground	12
OVRHT3D502403Y	2CJC705240Y0000	415/240 V	3-phase Wye, 4-wire + ground	12
OVRHT3D503473Y	2CJC705347Y0000	600/347 V	3-phase Wye, 4-wire + ground	12
OVRHT3D502403H	2CJC705240H0000	240/120 V	3-phase Delta high-leg, 4-wire + ground	12
OVRHT3D502401P	2CJC705240P0000	240 V	1-phase, 2-wire + ground	25
OVRHT3D502771P	2CJC705277P0000	277 V	1-phase, 2-wire + ground	25
OVRHT3D502403D	2CJC705240D0000	240 V	3-phase Delta, 3-wire + ground	25
OVRHT3D503803D	2CJC705380D0000	380 V	3-phase Delta, 3-wire + ground	25
OVRHT3D501201P	2CJC705120P0000	120 V	1-phase, 2-wire + ground	25
OVRHT3D504003D	2CJC705400D0000	400 V	3-phase Delta, 3-wire + ground	25
OVRHT3D506003D	2CJC705600D0000	600 V	3-phase Delta, 3-wire + ground	25

Product diagrams



Size and mechanical specifications

Dimensions	4.25" x 2.41" x 2.75"
Weight	0.23 kg (0.5 lb.)
Enclosure type	Polycarbonate NEMA 4X
Installation type	Indoor/outdoor
Mounting method	Flush/flange/through-hole

—
USA
ABB Inc.
305 Gregson Drive
Cary, NC 27511
(888) 385-1221

electrification.us.abb.com

—
We reserve the right to make technical changes or modify the contents of this document without prior notice. With regard to purchase orders, the agreed particulars shall prevail. ABB Inc. does not accept any responsibility whatsoever for potential errors or possible lack of information in this document.

We reserve all rights in this document and in the subject matter and illustrations contained therein. Any reproduction or utilization of its contents – in whole or in parts – is forbidden without prior written consent of ABB Inc. Copyright © 2023 ABB. All rights reserved.