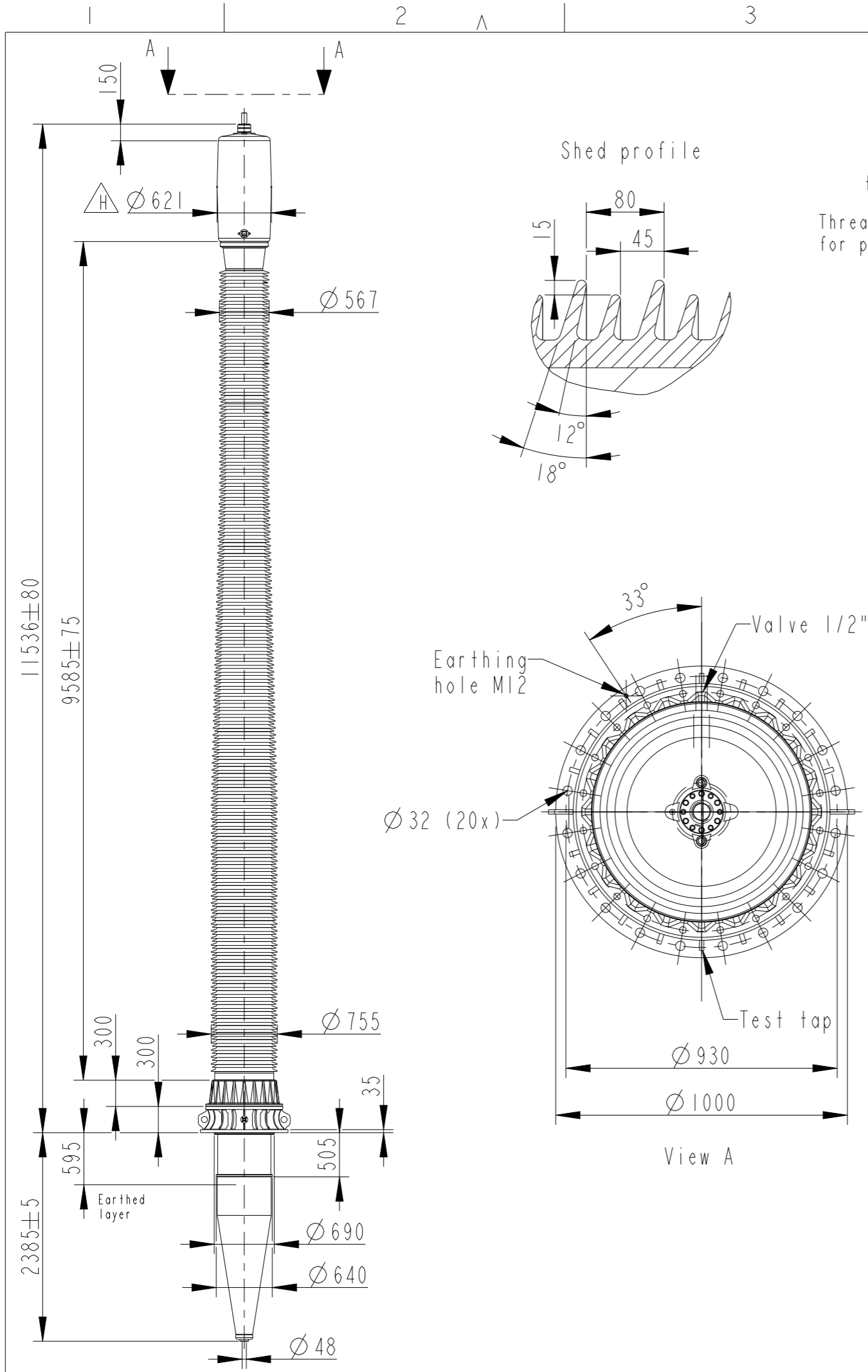
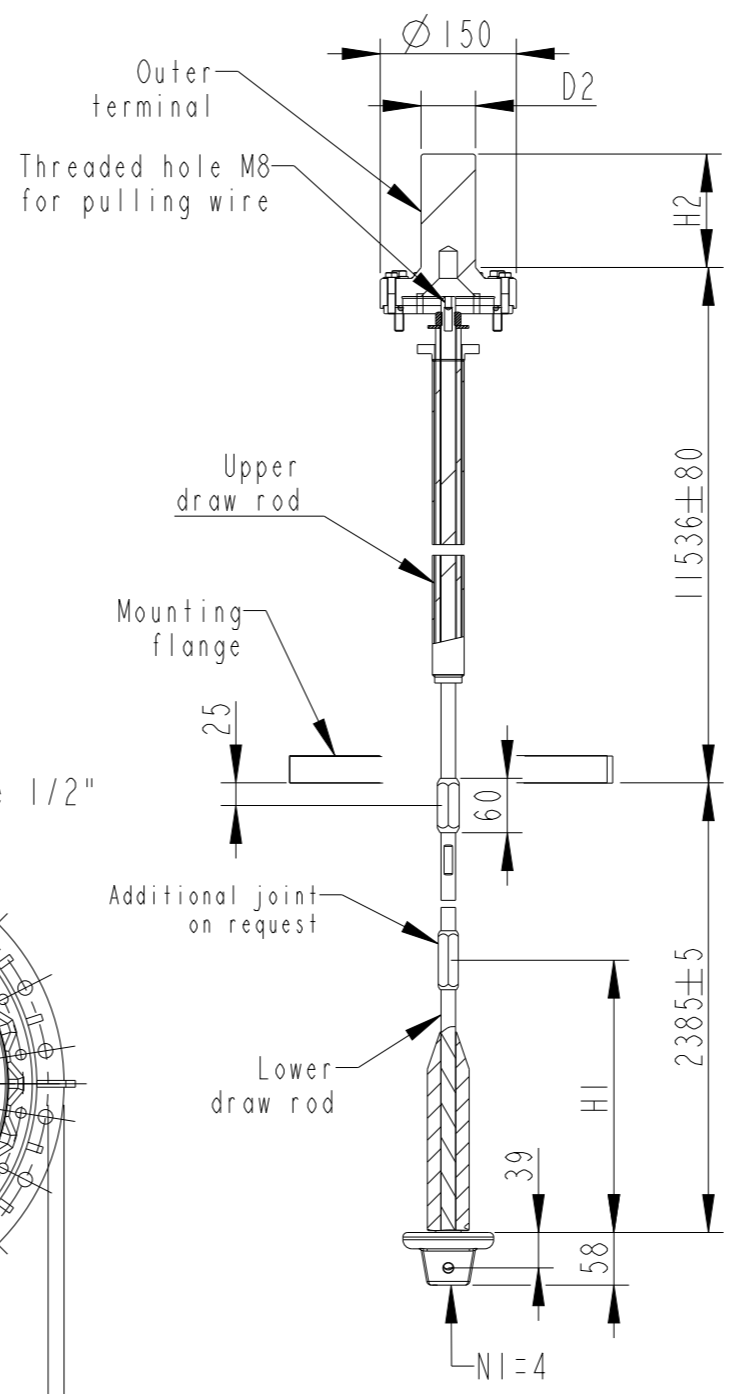


This document is issued by means of a computerized system. The digitally stored original is electronically approved. The approved document has a date entered in the "Approved"-field. A manual signature is not required.

The information contained in this document has to be kept strictly confidential. Any unauthorized use, reproduction, distribution or disclosure to third parties are strictly forbidden. ABB reserves all rights regarding Intellectual Property Rights. © Copyright 2013 ABB. All rights reserved.



**DRAW ROD SYSTEM / OUTER TERMINAL**



NI= Number of holes M12, equipped with thread insert with screw lock, depth 20, for cable lugs.

Bushing Data:		
Rated voltage	1200	kV
Phase to earth Voltage	693	kV
Dry Lightning Impulse 1.2/50 us	2600	kV
Wet Switching Impulse	1950	kV
Withstand Voltage 50 Hz, 5 min	1200	kV
Rated current	2500	A
Creepage Distance, nom	34100	mm
Mass	6000	kg

Ordering Data:		
BUSHING	COLOUR	AIR INSULATOR
1ZSC902110-AAA	BROWN	
OUTER TERMINAL	H2 (mm)	D2 (mm)
LF121073-G Cu/Ag	125	60
END-SHIELD, OIL SIDE	LF170046-CB Insulated with 5 mm pressboard	
DRAW ROD SYSTEM	LF170059 Lower draw rod with NI=4	
	LF170057 Upper draw rod	
CORONA RING	LF170046-CC	

Prepared	Oscar Andersson	2018-05-21	Responsible department	PGCO/BK	Title	GOE 2600-1950-2500-0,5-B	Language	82	
Modified by	Oscar Andersson	2019-04-24	Take over department						
Approved by	Johan X Eriksson	2019-04-24	Used in product						
Revision	H	Dimension updated			Order		Sheet no.	1	
						Document no.	2751369-280	No. Shs.	(1)