



GEH3473

J-Class Fuse Kit

THJ6



Hazards of electrical shock or burn! Turn off power before working inside this equipment.

Used with:

600Ampere Heavy Duty Switches.

Description:

This kit, Figure 1, consist of:

1. One (1) Fuse Block with J fuse posts mounted
2. Three (3) Plug-In fuse adapters

The Following parts are to be removed from the old load block, Figure. 2.

1. Two (2) Mounting screws and flat washers
2. Three (3) 4-600 MCM CU/AL double lugs
3. Three (3) Nuts
4. Three (3) Lock washers

Caution:

To avoid accidental contact with live circuits, make certain switch is de-energized and handle is in OFF position.

Installation:

1. Remove existing load block from box.
2. Position new load block over holes marked "600A J". Use existing screws and washers to fasten new block to box. There must be a 6-inch minimum space between switch base fuse clip and load block fuse post Figure 3.
3. Remove lugs from old load block and fasten them over studs provided on new load block with nuts and lock washers removed from old load block. DISCARD OLD LOAD BLOCK.

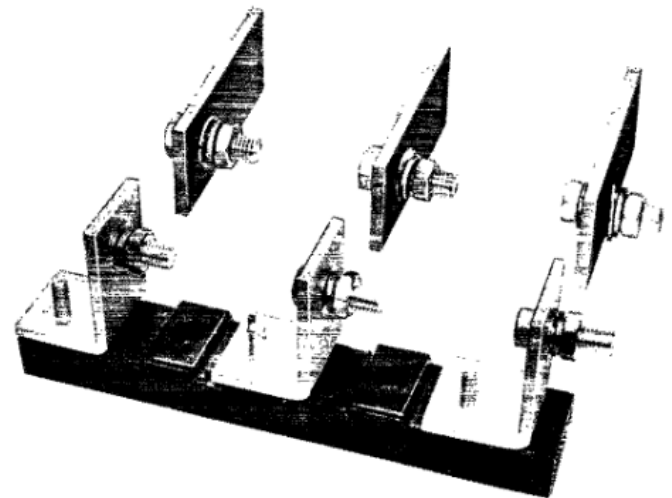


Fig. 1

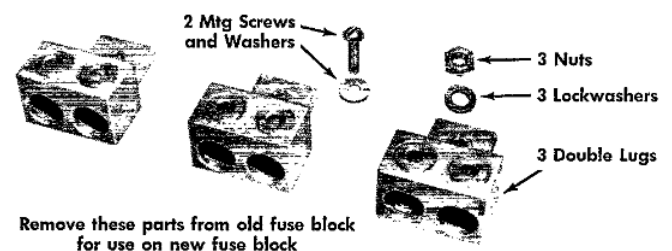


Fig. 2

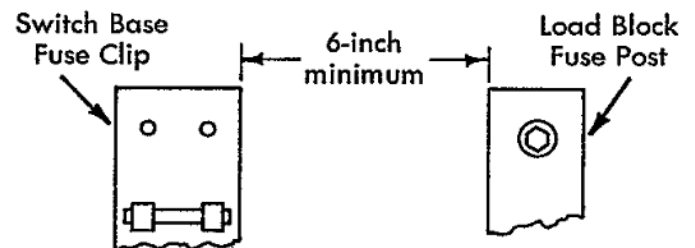


Fig. 3

4. Plug fuse adapter into fuse clip, making sure that end of adapter is flush with end of fuse clip and the bolt on the adapter is facing in the same direction as the bolts on the load block, Figure 4. Position clamp over fuse clip and tighten screws.

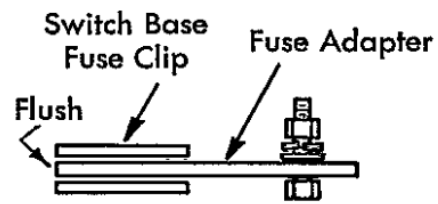


Fig. 4

5. Remove washers and nuts from the bolts on the fuse adapter and fuse post. Assemble Class J Fuse to bolts with these washers and nuts.
6. NOTE: Be sure all connecting means and load block are securely fastened before energizing switch.

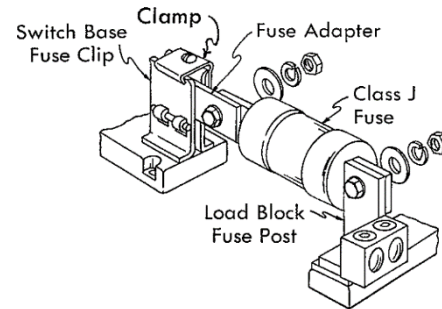


Fig. 5