

EOW-x3 with 800xA

The Extended Operator Workplace (EOW) with 800xA is a state-of-the-art operator environment that puts the operator in focus and complete control.



The EOW-x improves operator performance, provides the latest in console technology, and enables operators do a better and more effective job. **Operator Effectiveness is the keyword. Fast and correct decision-making and proactive alertness are only two advantages of the system. This space-saving tool contains multiple monitors, large screens and one unique keyboard to control the complete operator interface.**

An attractive & ergonomic environment

The EOW-x provides your operator(s) with a state-of-the-art control environment with all essential functions at their fingertips. In use with 800xA, operators get enabled by utilizing ergonomics and take care of the entire control process from one workstation.

The EOW-x provides everything your operators need in one single environment.

Why EOW-x with 800xA?

The EOW-x takes operations into entirely new levels of productivity. The operator desk system is designed for highly complex, fully-integrated 24/7 environments. Alternate positions for better health and vitality are essential aspects for improved operator effectiveness.

The EOW-x concept provides the right conditions from the first planning stage and onwards. The modular desk system including accessories is the result of many years of knowledge and experience in designing 24/7 working environments.

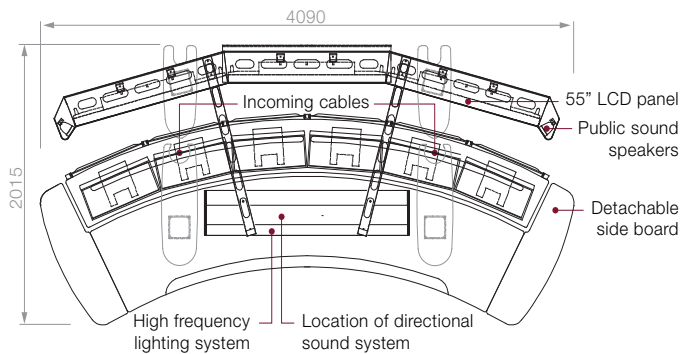
The desk system has functions and accessories adapted for both operators and technology, which are integrated in and around the workplace.

With support from ABB, the 24/7 environment could be planned and furnished as a complete solution. By involving ABB early in a project means that we can easily incorporate many ergonomic design aspects of 24/7 control centers.

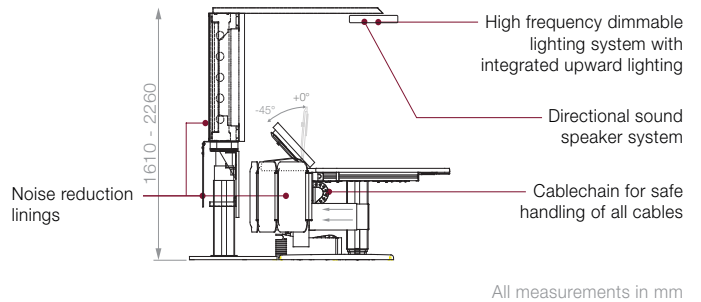
Please turn the page for an overview of included and available hardware and software.

What is included?

Top view



Side view



3ESE081380 en

Software

- 800xA 6.0 EOW License
- Live Video System
- CAD Viewer

Hardware

- CLOV (Close Large OverView) with three 55" industrial LCD wide screens with full HD
- Six 23" full HD monitors with the same resolution as CLOV
- Multi-client keyboard
- Three rack-mounted client computers
- Redundant IP switches
- Ergonomic desk system with Seventh Motion Variability
- Adjustable "temperature" high-frequency down-light
- PA sound system
- Personal sound shower
- Integrated live video camera system

Adjustment possibilities

- The entire operator desk is motorized and height adjustable from 650 mm to 1300 mm.
- The monitor board carrying the six 23" wide screen monitors is individually motorized height-adjustable from +70 to -130 mm independently of the working board.
- The desk is available in grey or birch.
- The keyboard layout is available in many different alternatives.

Specifications for the entire EOW-x3

- Total weight: 890 kg
- Power: 230 V or 115 V (50-60 Hz)
- The EOW-x3 is available in detailed 2D and 3D formats.

The EOW is also available in different sizes and the EOW-f and EOW-i series.

For more information contact us:

www.abb.com/800xA