

We reserve all rights in this document and in the information contained therein. Reproduction, use or disclosure to third parties without express authority is strictly forbidden. © ABB 19

Pos. Läge	H connects H förbinder
1	1 - 15
2	2 - 15
3	3 - 15
4	4 - 15
5	5 - 15
6	6 - 15
7	7 - 15

On-load tap-changer type UZEL., UZFL., 7 tap positions, linear switching.

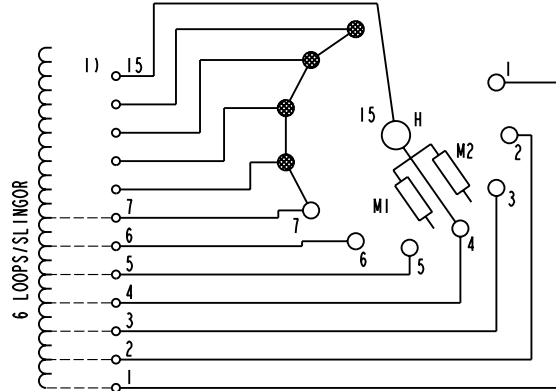
Max. effective No. of turns in pos. 1.

The tap-changer is delivered set in pos. 4.

Lindningskopplare typ UZEL., UZFL., 7 lägen, linjär koppling.

Max. antal effektiva varv i läge 1.

Lindningskopplaren levereras inställd i läge 4.



The tap-changer is shown in pos. 4

Lindningskopplaren visad i läge 4

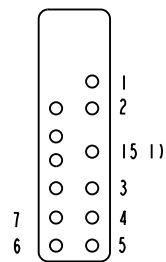
H Main contact  
Huvudkontakt

M1, M2 Transition contacts  
Motståndskontakter

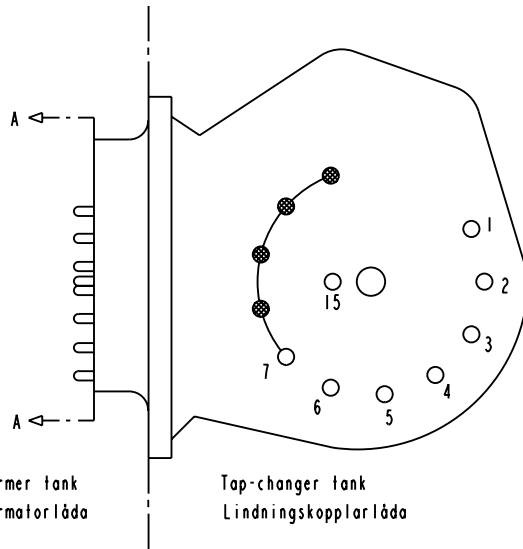
1) Connections between the terminals 15 of the three phases are included in the star-point type.

Förbindningar mellan uttag 15 i de tre faserna ingår i nollpunktsutförandet.

Terminal board  
Plint



Section A-A  
Sektion A-A



Transformer tank  
Transformatorlåda

Tap-changer tank  
Lindningskopplarlåda

Sheet	Cont	Year	Week	Rev	Appd	Year	Week
-	-	-	-	-	-	-	-
Accepted by qual control R. Yngvesson		Accepted for prod by		Description (English) CONNECTION DIAGRAM		DATA ORIGINAL	
Design checked by B-O. Stenestam		Drawn by L. Bergman		Description (own language) KOPPLINGSSHEMA		File name 0393-3	
Drawing checked by M. Hedlund		Issued by Dept COM/TKO 97 33		Lang		Sheet 1	
Asea Brown Boveri		5492 0393-3		Rev		Cont	
				-		-	