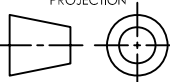


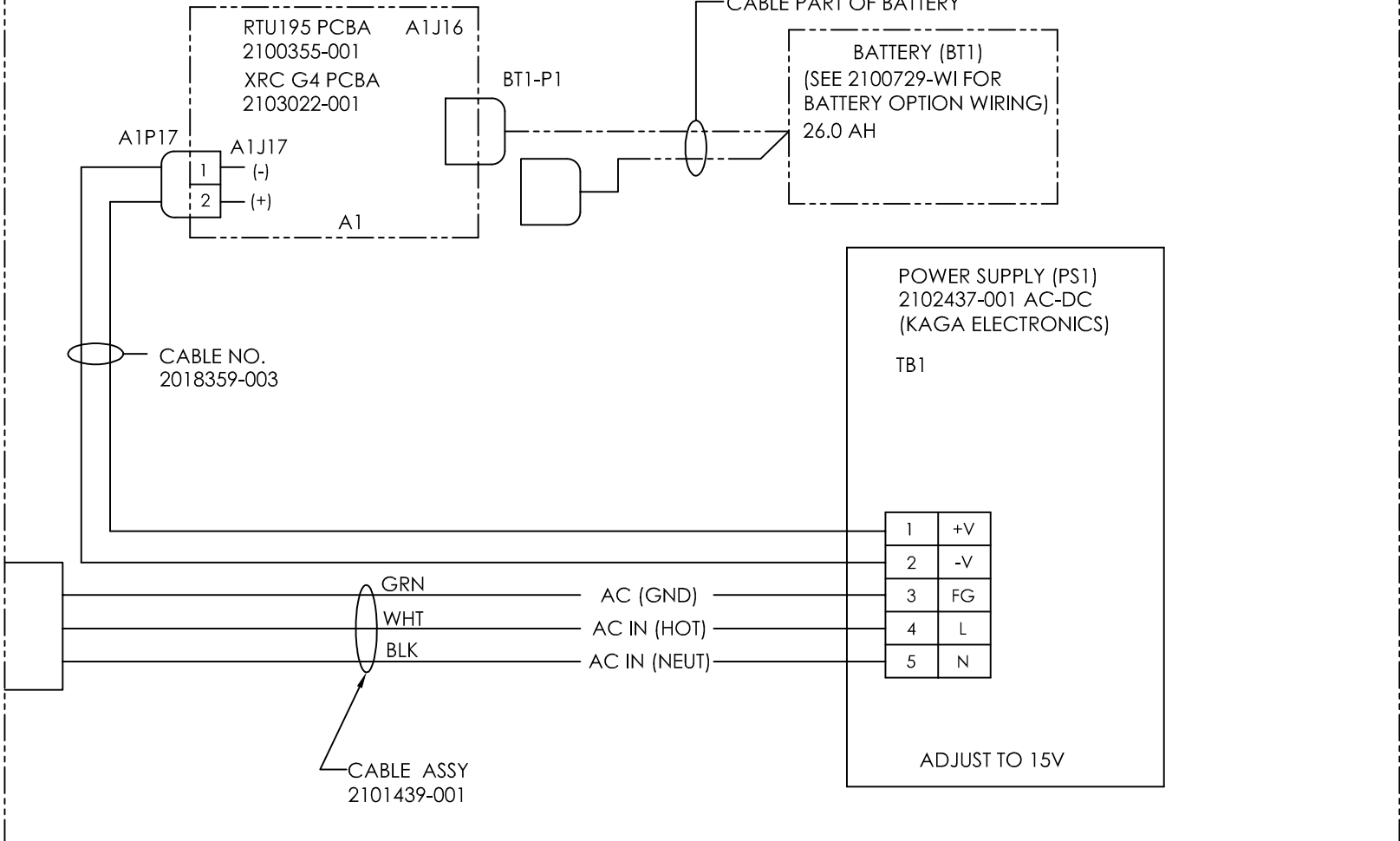
NOTES:

- 1. REMOVED

REVISIONS					
REV	ACTION	DRAWN	CHECKED	APPROVED	DATE
AA	L18371	WALDORF	BUSHNELL	BUSHNELL	06/11/15
AB	D20734	KASTNER	KASTNER	BUSHNELL	07/09/07

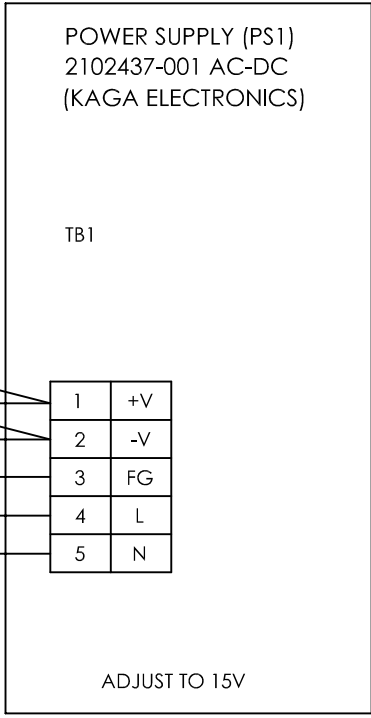
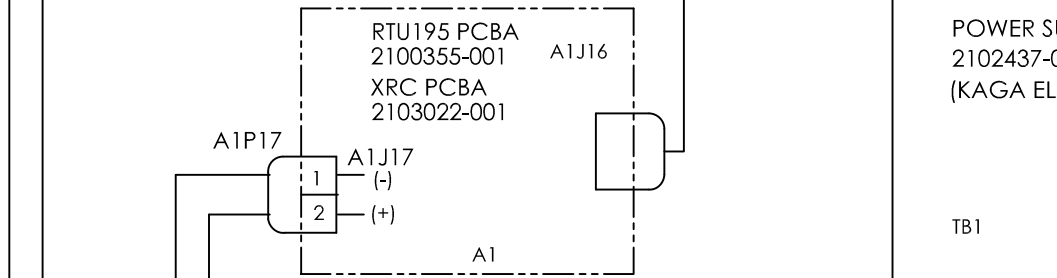
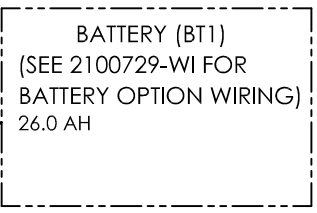
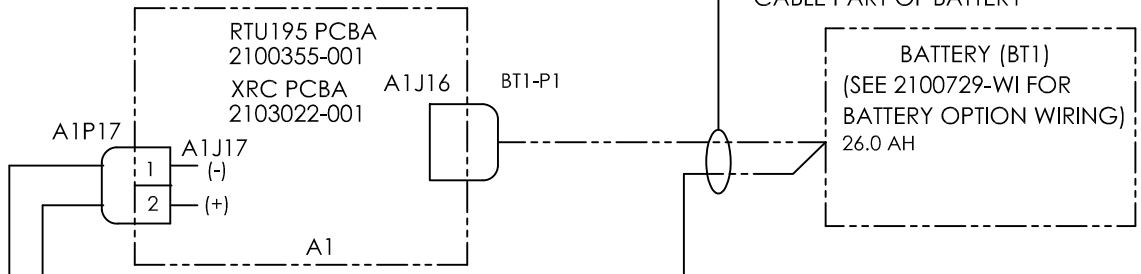
ASSEMBLY/QUANTITY		ITEM NO.	PART NUMBER	DESCRIPTION			REF/ZONE DESIGN	UNIT MEAS
001								
DO NOT SCALE DRAWING		UNLESS OTHERWISE SPECIFIED DIMENSIONS ARE IN INCHES		PRODUCT LINE	LEVEL	TOTALFLOW [®] 3		
THIRD ANGLE PROJECTION		TOLERANCES ARE: DECIMAL .XX ± .00 .XXX ± .000		DESIGN	DATE	TITLE		
		ANGULAR ± .0°		DRAWN	06-11-15	WIRING & INTERCONNECT		
		BREAK ALL SHARP CORNERS AND EDGES DIMENSIONS APPLY BEFORE FINISH		CHECKED	06-11-15	POWER SUPPLY, XRC6990		
				APPROVED	06-11-15	SCALE	SIZE	DOC TYPE
				J BUSHNELL	06-11-15	1:1	B	WI
						DRAWING NO.	REV	SHEET
						2102440	AB	1 OF 3

XRC6990 ENCLOSURE



CHARGING SOURCE FOR XRC6990

XRC6990 ENCLOSURE



CABLE NO. 2018359-003

GRN AC (GND)
 WHT AC IN (HOT)
 BLK AC IN (NEUT)

CABLE ASSY 2101439-001

CHARGING SOURCE FOR XRC6990