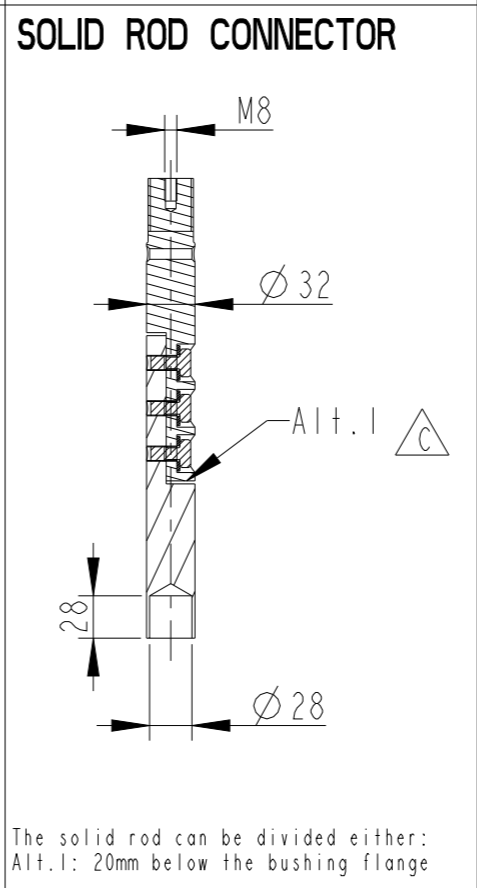
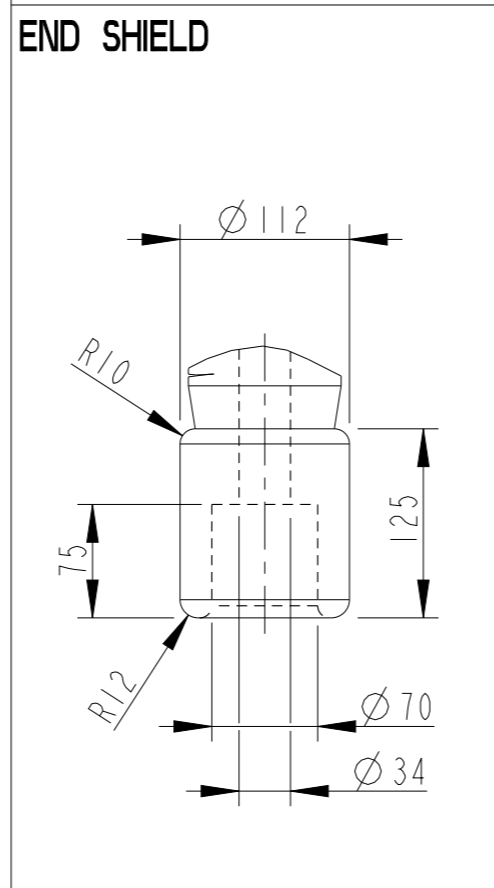
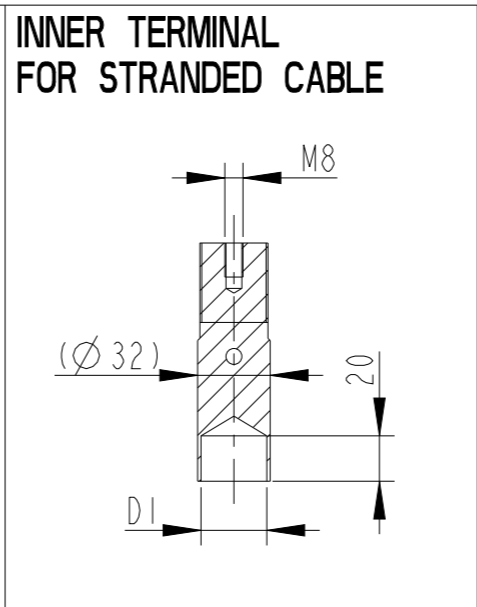
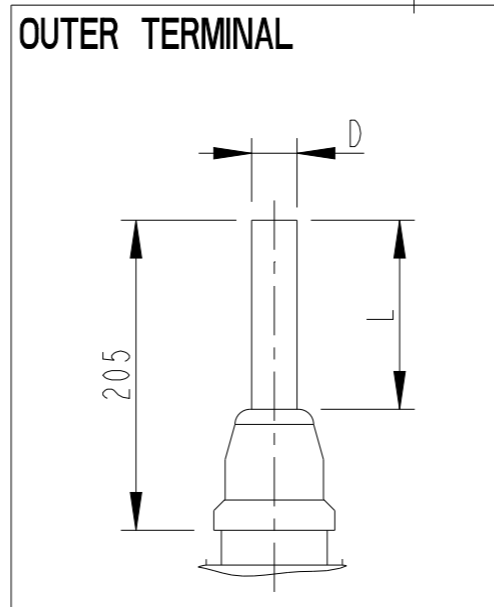
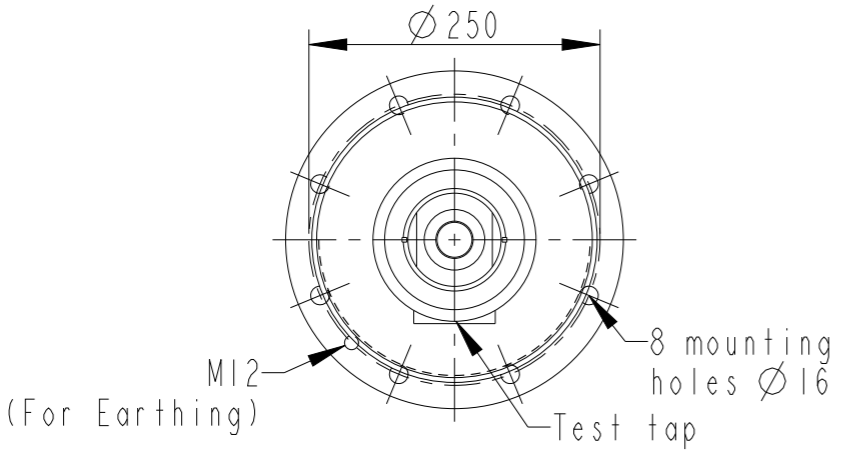
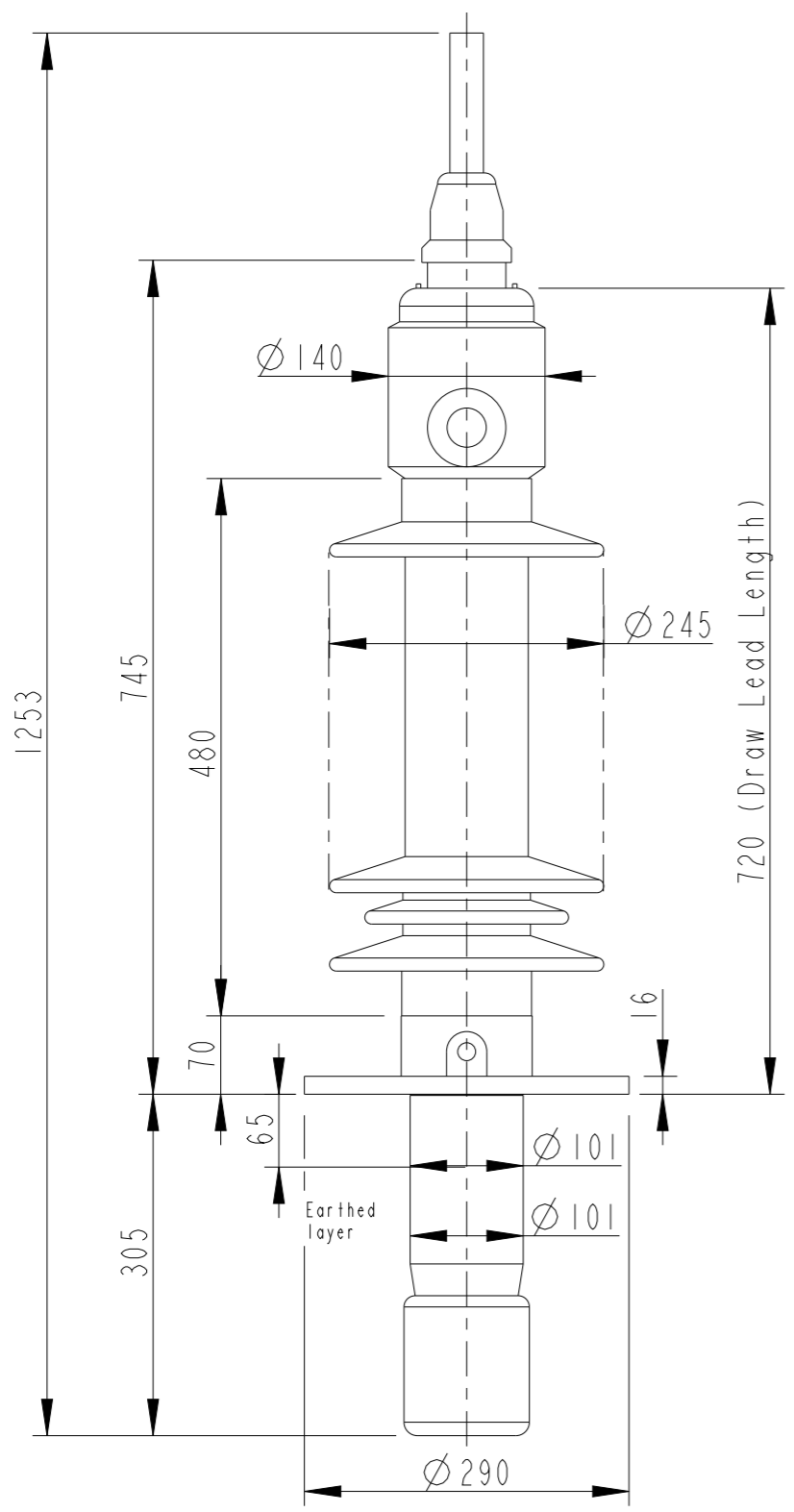


This document is issued by means of a computerized system. The digitally stored original is electronically approved. The approved document has a date entered in the "Approved"-field. A manual signature is not required.

We reserve all rights in this document and in the information contained therein. Reproduction, use or disclosure to third parties without express authority is strictly forbidden.

Revision	Revision text
C	Removed Alt.2, Changed Phase to ground voltage from 52 to 30kV



Bushing Data:

Rated Voltage	52	kV
Phase to Ground Voltage	$\triangle C$ 30	kV
Dry Lightning Impulse 1,2/50 μ s	250	kV
Wet power frequency AC	105	kV
Routine test 1min dry 50Hz	120	kV
Rated Current	1250	A
Creepage Distance	1500 \pm 50	mm
Creepage Distance Protected	580	mm
Mass	28	kg

Ordering Data:

BUSHING	COLOUR AIR INSULATOR	
LF123167-M	BROWN	
-N	LIGHT GREY	
OUTER TERMINAL	Material	D L
LF 170 002-B	Cu Alloy	\varnothing 30 125
LF 170 001-B	Al	\varnothing 30 125
OTHER TYPES ON REQUEST		
INNER TERMINAL FOR STRANDED CABLE		
For brazing	Conductor area	D1
LF 170 011-T	up to 285mm ²	\varnothing 29
LF 170 011-V	Undrilled with pilot hole	\varnothing 5
SOLID ROD CONNECTOR	Material	
LF 170 052 -BC for Alt.1	Cu	
TERMINAL PLATE	Material	
LF 170 014-A	Aluminium	
LF 170 021-A	Nickel-Plated Copper	

Note:
Mounting inclination 0-45°.
For inclined and horizontal mounting, see Installation and Maintenance Guide.

ABB		Ludvika, Sweden	
No.	kV Ir	A	50/60 Hz
\varnothing Um	kV SIL	kV AC	kV
BIL	kg L	mm	°
M	pF	Tan δ	x
C1	pF	Tan δ	x
C2			

Created by Balaji.G.R	Reviewed by Joakim Persson	Approved by Natalia Gutman
Approved 2020-01-13	Document Kind Outline Drawing	Based on doc.id Work order id Project id
Company ABB Technology Ltd	Title, Supplementary title GOB 250-1250-0 WITH OIL LEVEL GAUGE LONG END SHIELD	
Responsible Department SEABB-9AAE300824	Document id 2751369-176	Status Released
ABB	Revision C	Iteration 1/1
	Sheet 1/1	