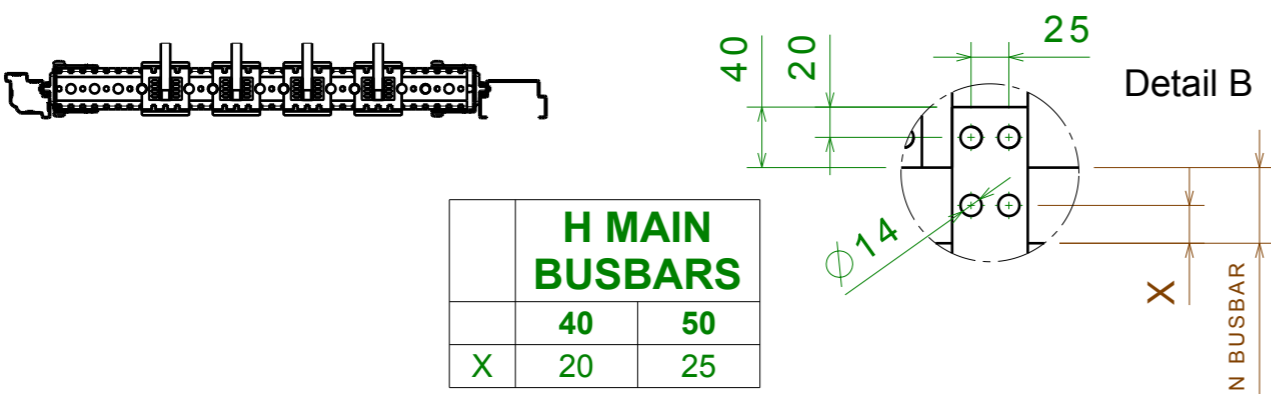
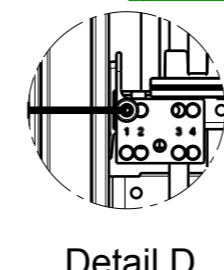
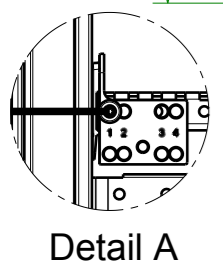
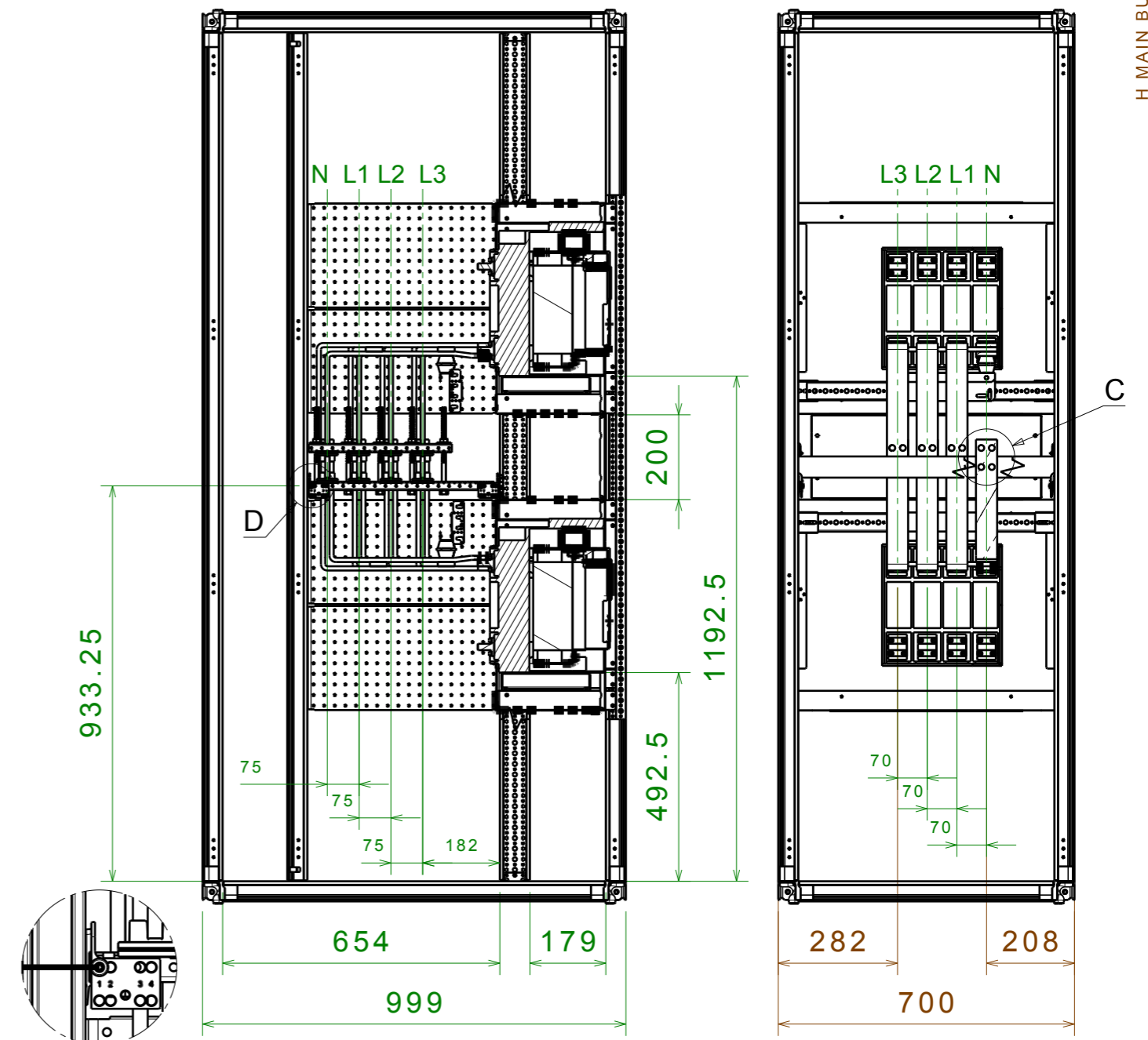
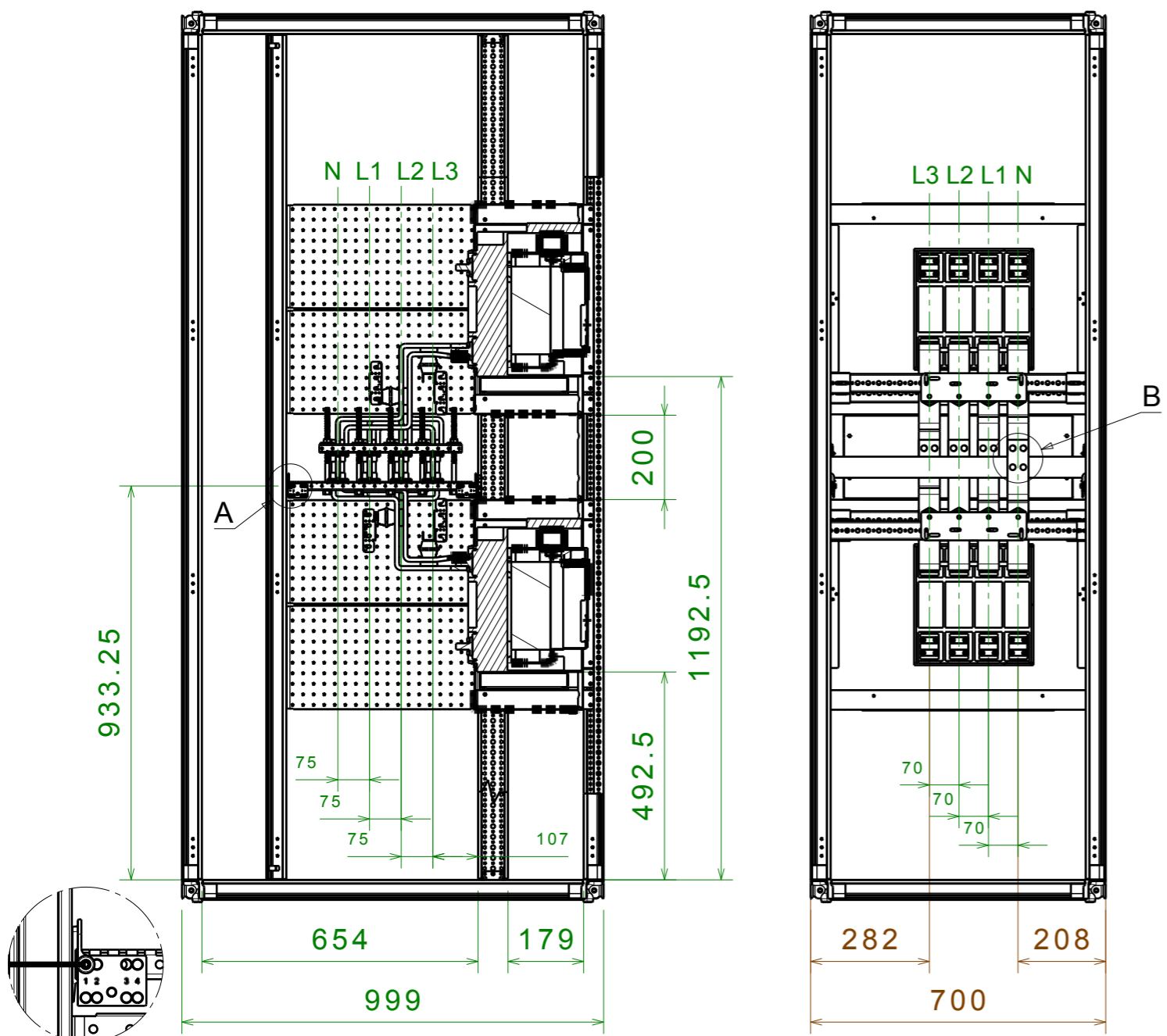
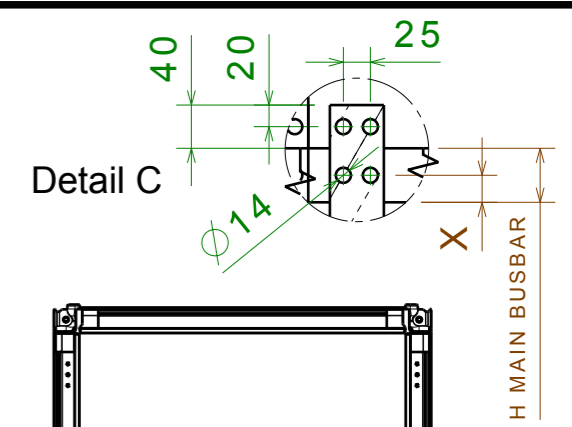


ASSEMBLY DRAWING
E1.2 1000A/1250A W
(COUPLER COLUMN) $I_{cw} > 36kA$

ASSEMBLY DRAWING
E1.2 1000A/1250A W
(COUPLER COLUMN) $I_{cw} \leq 36kA$



CONNECTION BUSBAR 2x50x10xP

AGG. DI SEGNO	SCALA SCALE : 1:14	N° PROGETTO / PROJECT : XXX.XX
MODIFICA	DISEGNATORE / DESIGNER :	ABB ABB SACE ADB
DATA	APPROVAZIONE / APPROVAL :	DENOMINAZIONE/NAME : E1.2 1000A/1250A W (COUPLER COLUMN) CONNECTION BUSBARS 2x50x10xP
	DATA DATE : xx-xx-xx	DISEGNO N° / DRAWING N° : 8 6 3 8 5 5
	Formato A3 Formed	

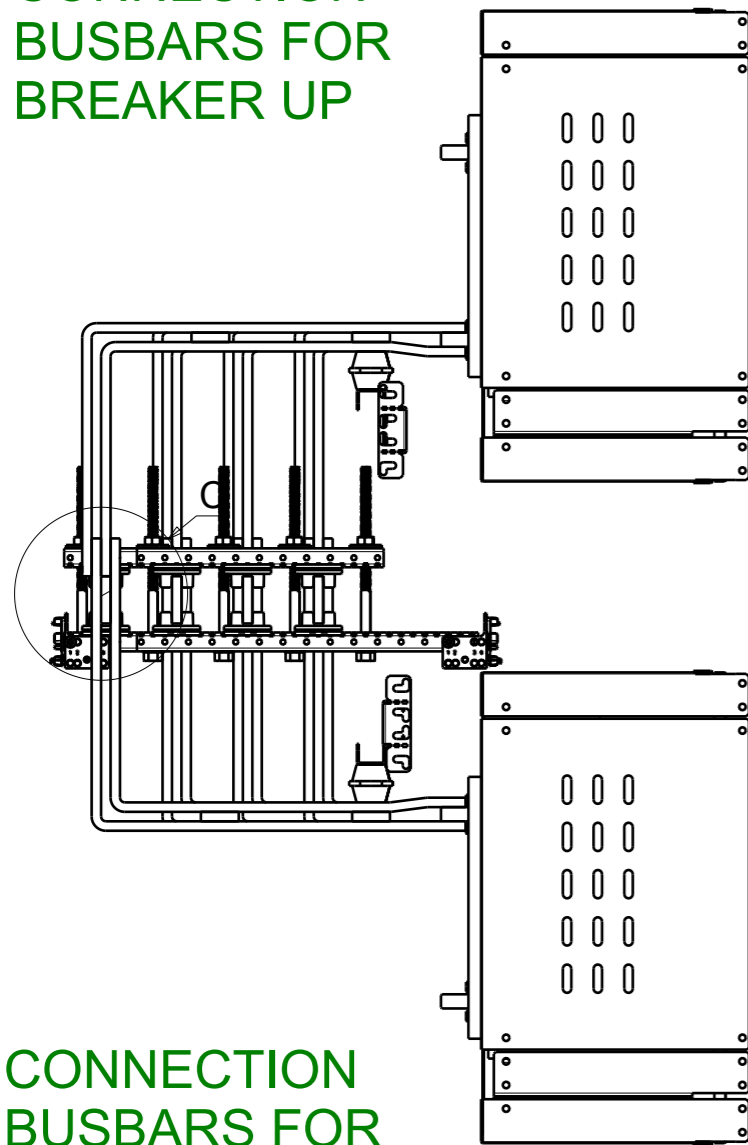
Questo disegno e' di esclusiva proprieta' di ABB SACE ADB. Ne e' vietata la riproduzione a termini di legge.

CONNECTIONS FOR E1.2 WITHDRAWABLE 1000A/1250A (COUPLER COLUMN) $I_{cw} \leq 36KW$

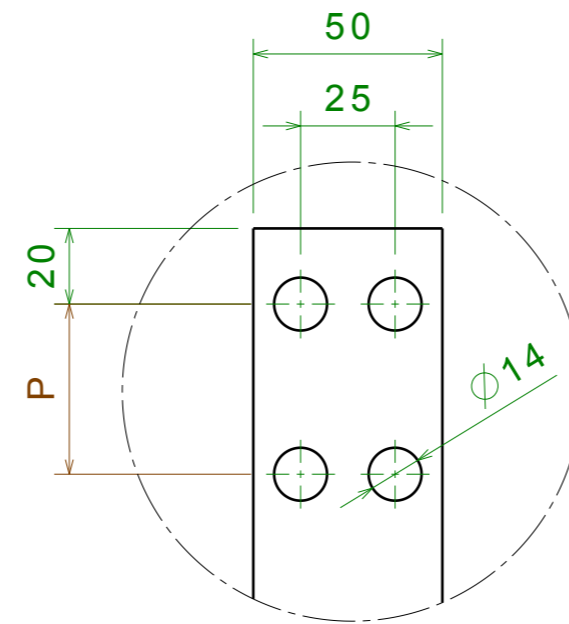
PHASE	POS	A	B	C	P	
L3	1	L3.1	180.6	267.75	-	-
	2	L3.2	160.6	247.75	-	-
L2	1	L2.1	255.6	267.75	-	-
	2	L2.2	235.6	247.75	-	-
L1	1	L1.1	330.6	267.75	270	-
	2	L1.2	310.6	247.75	270	-
N	1	N.1	405.6	267.75	270	-
	2	N.2	385.6	247.75	270	-

SPEP P = 700mm
 BUSBARS HOLDER PBHB1125 (50mm)
 MAIN BUSBAR IP30 / IP31 : 1000A (1x40x10) ; 1250A (1x50x10)

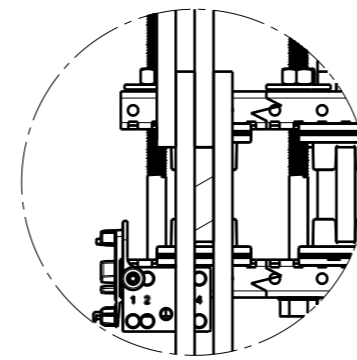
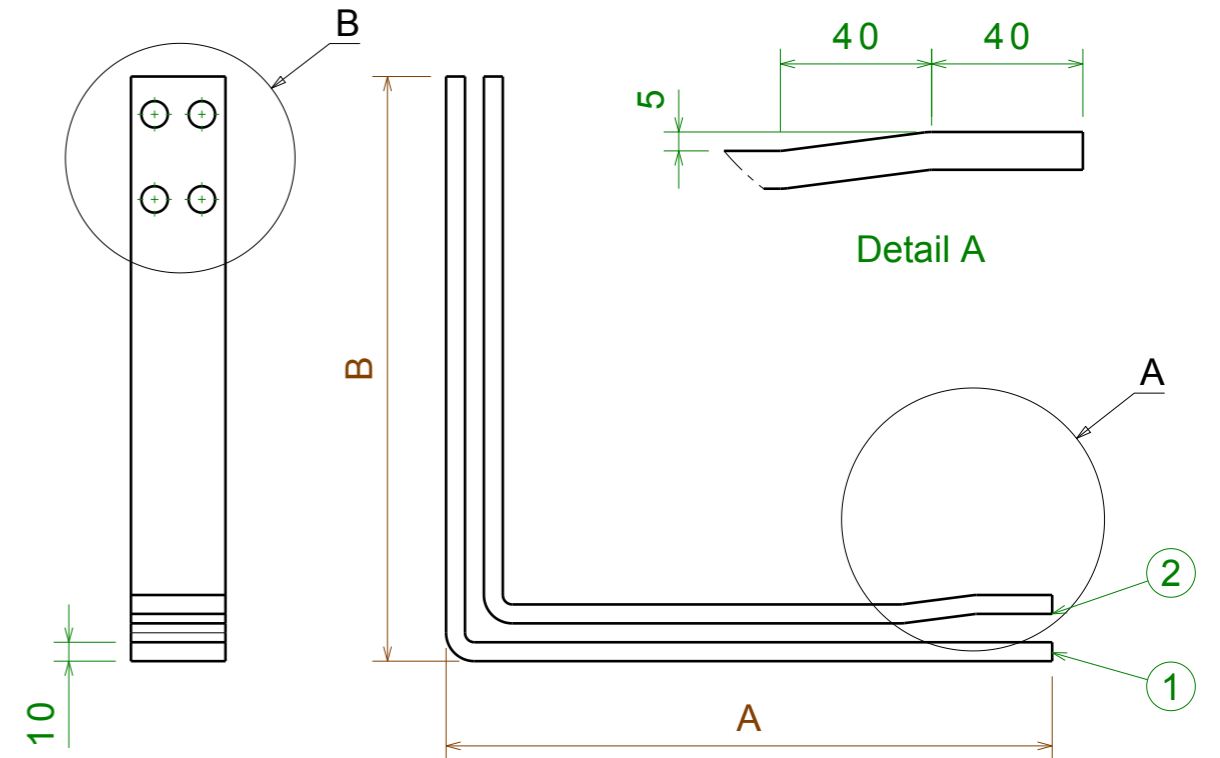
CONNECTION
BUSBARS FOR
BREAKER UP



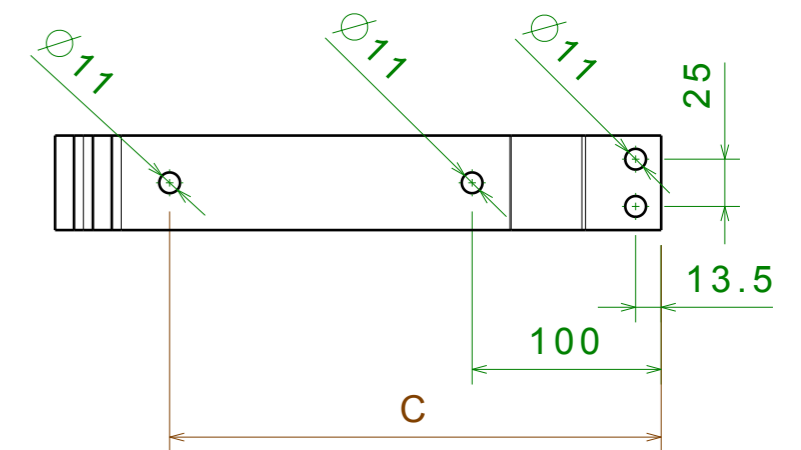
CONNECTION
BUSBARS FOR
BREAKER DOWN



Detail B



Detail C



PHASE	POS	A	B	C	P		
					H MAIN BUSBAR		
L3	1	L3.1	170.6	309.25	-	50	45
	2	L3.2	150.6	289.25	-	50	45
L2	1	L2.1	245.6	309.25	-	50	45
	2	L2.2	225.6	289.25	-	50	45
L1	1	L1.1	320.6	309.25	260	50	45
	2	L1.2	300.6	289.25	260	50	45
N	1	N.1	395.6	309.25	260	50	45
	2	N.2	375.6	289.25	260	50	45

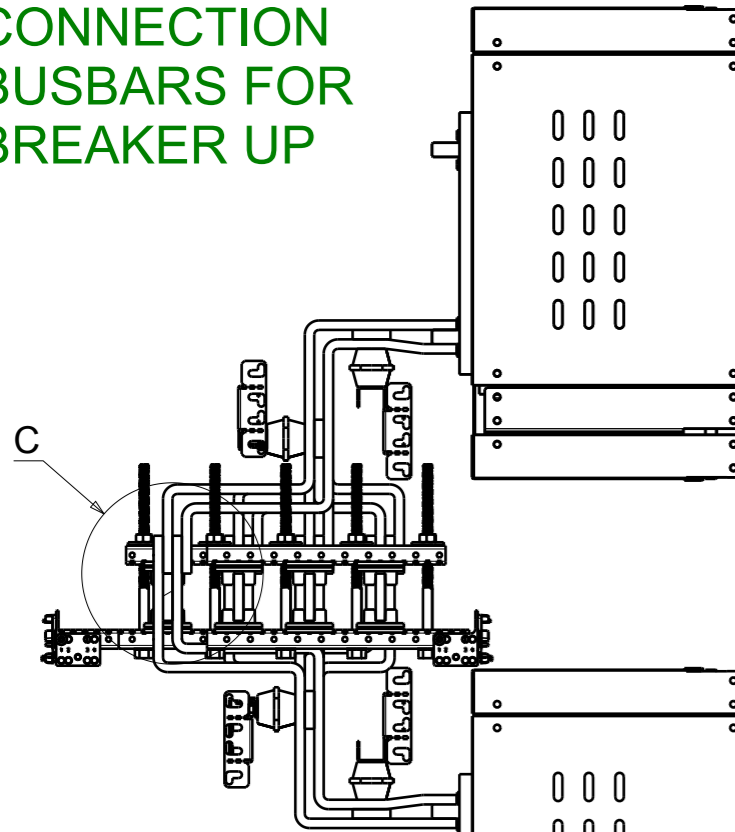
AGG. DI SEGNO	SCALA SCALE	: 1:4	N° PROGETTO : PROJECT	XXX.XX
DESIGNER	DISEGNATORE DESIGNER		APPROVAZIONE : APPROVAL	
MODIFICA	DATA DATE	: xx-xx-xx	ABB ABB SACE ADB	DISEGNO N° /DRAWING N°
DATA	FORMATO A3 FORMED		DENOMINAZIONE/NAME: E1.2 1000A/1250A W (COUPLER COLUMN) CONNECTION BUSBARS 2x50x10xP_L	8 6 3 8 5 6

CONNECTIONS FOR E1.2 WITHDRAWABLE 1000A/1250A (COUPLER COLUMN) $I_{cw} > 36KA$

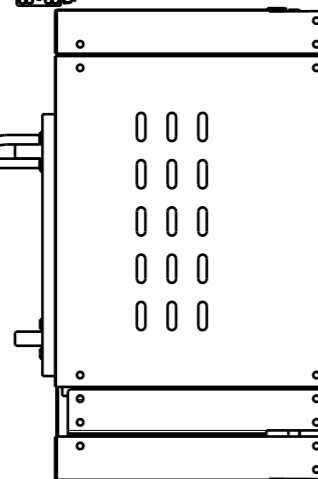
SPEP P = 700mm
 BUSBARS HOLDER PBHB1125 (50mm)
 MAIN BUSBAR IP30 / IP31 : 1000A (1x40x10) ; 1250A (1x50x10)

	A	B	C	P
L3.1	160.6	267.75	74.25	-
L3.2	140.6	247.75	94.25	-
L2.1	160.6	267.75	-	-
L2.2	140.6	247.75	-	-
L1.1	160.6	267.75	94.25	-
L1.2	140.6	247.75	74.25	-
N.1	160.6	267.75	94.25	-
N.2	140.6	247.75	74.25	-

CONNECTION
 BUSBARS FOR
 BREAKER UP

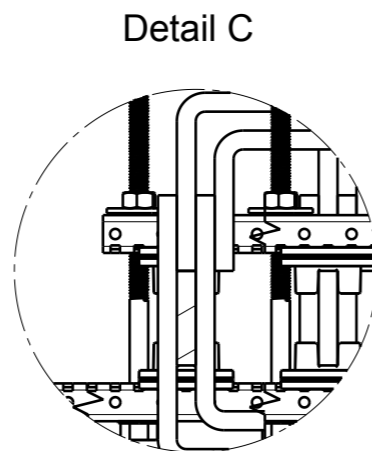
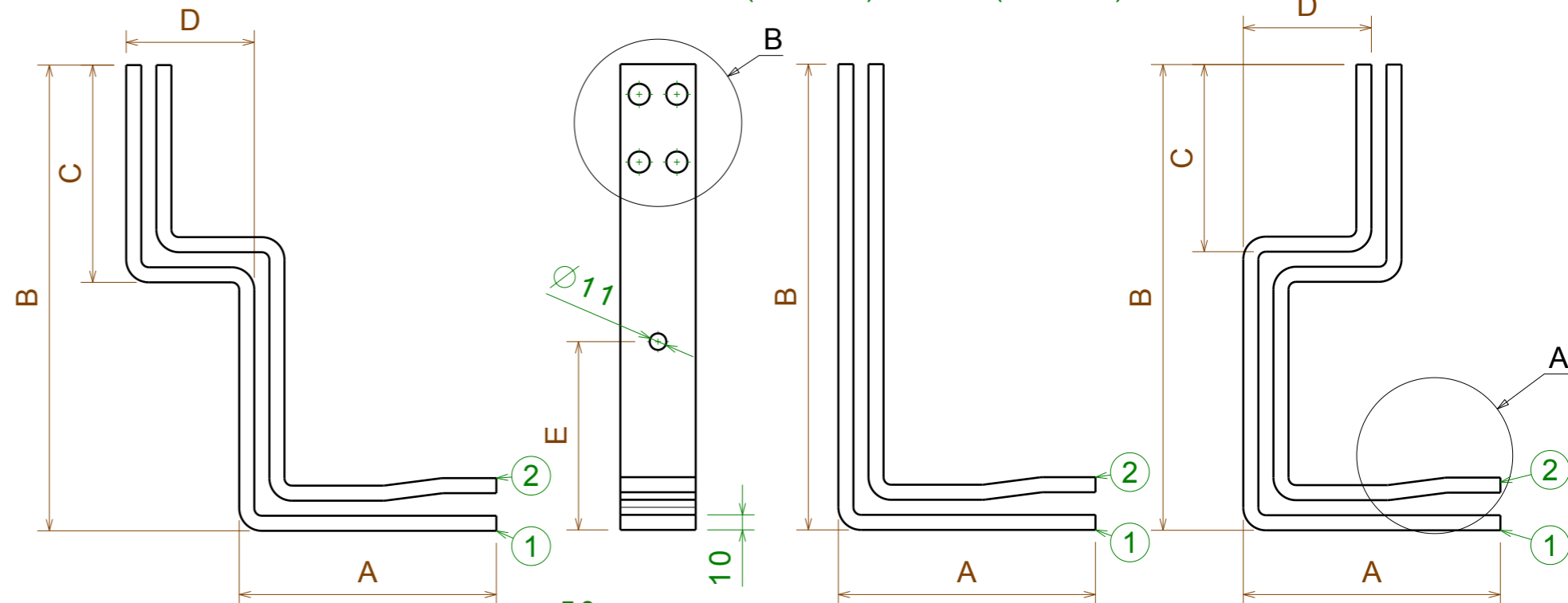


CONNECTION
 BUSBARS FOR
 BREAKER DOWN

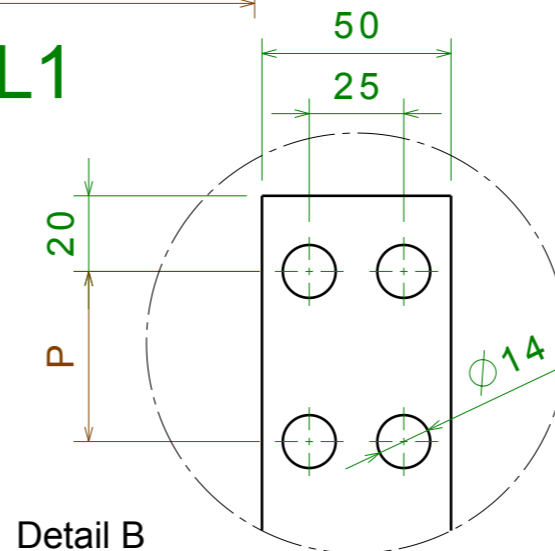


	A	B	C	P	
				H MAIN BUSBAR	
L3.1	170.6	309.25	124.25	40	50
L3.2	150.6	289.25	144.25	50	45
L2.1	170.6	309.25	-	50	45
L2.2	150.6	289.25	-	50	45
L1.1	170.6	309.25	144.25	50	45
L1.2	150.6	289.25	124.25	50	45
N.1	170.6	309.25	144.25	50	45
N.2	150.6	289.25	124.25	50	45

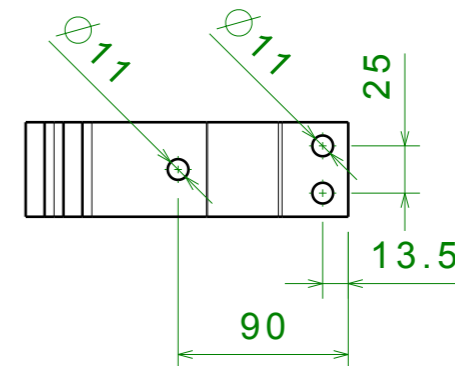
PHASE	POS		D	E
L3	1	L3.1	85	125
	2	L3.2	85	105
L2	1	L2.1	-	125
	2	L2.2	-	105
L1	1	L1.1	85	125
	2	L1.2	85	105
N	1	N.1	160	125
	2	N.2	160	105



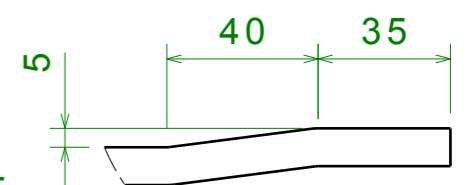
N-L1



L2



L3

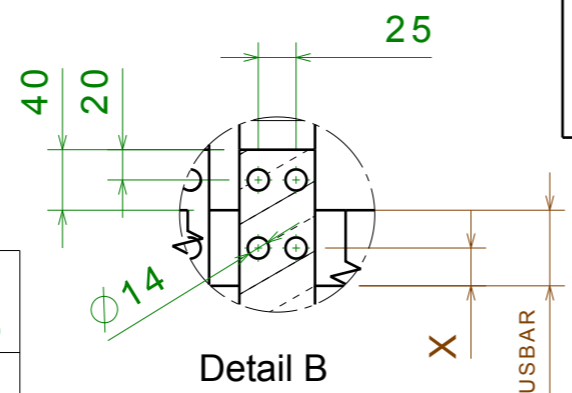
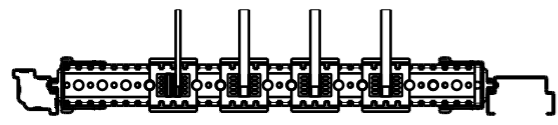
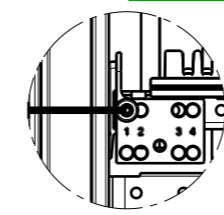
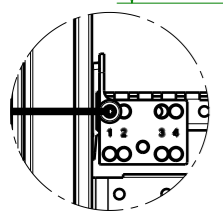
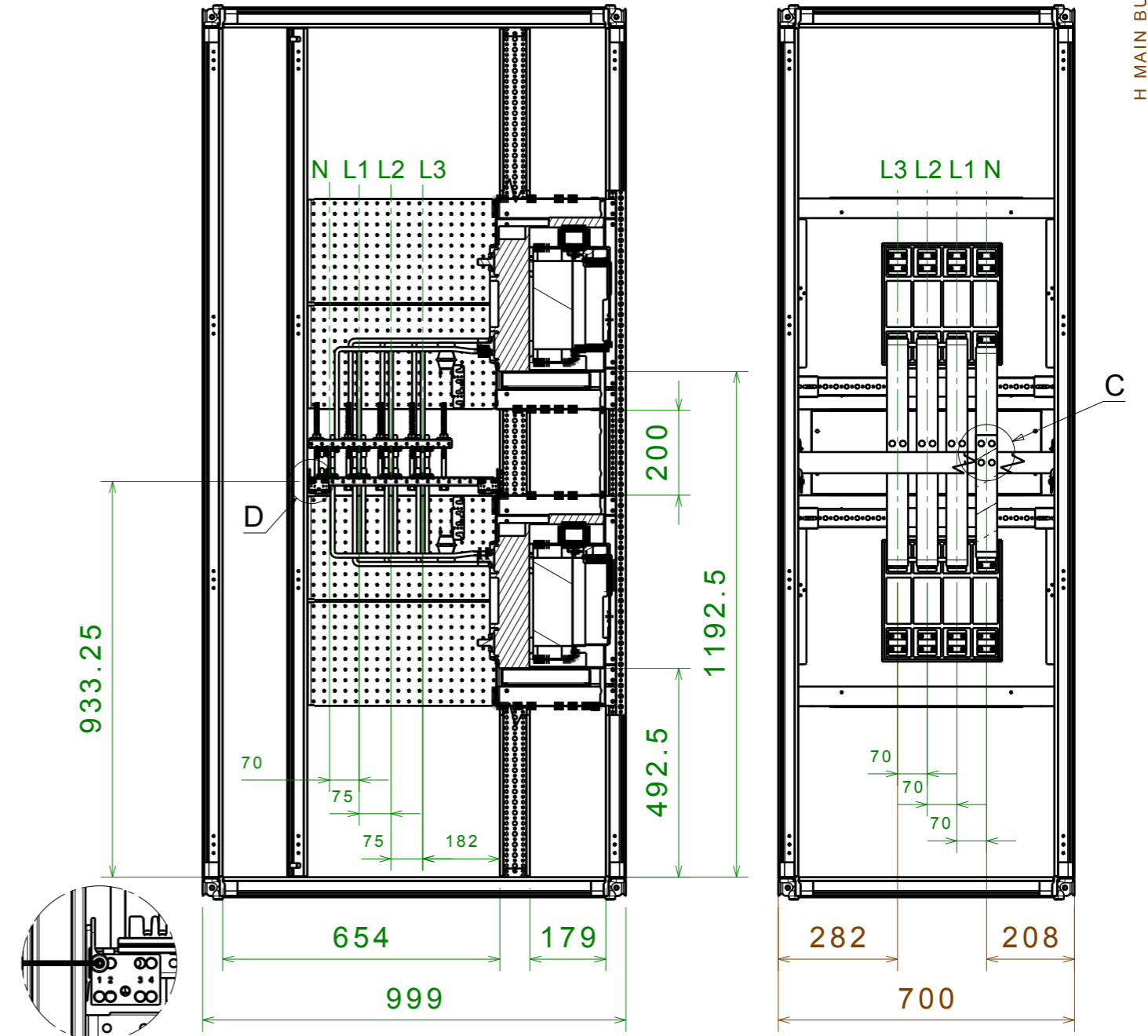
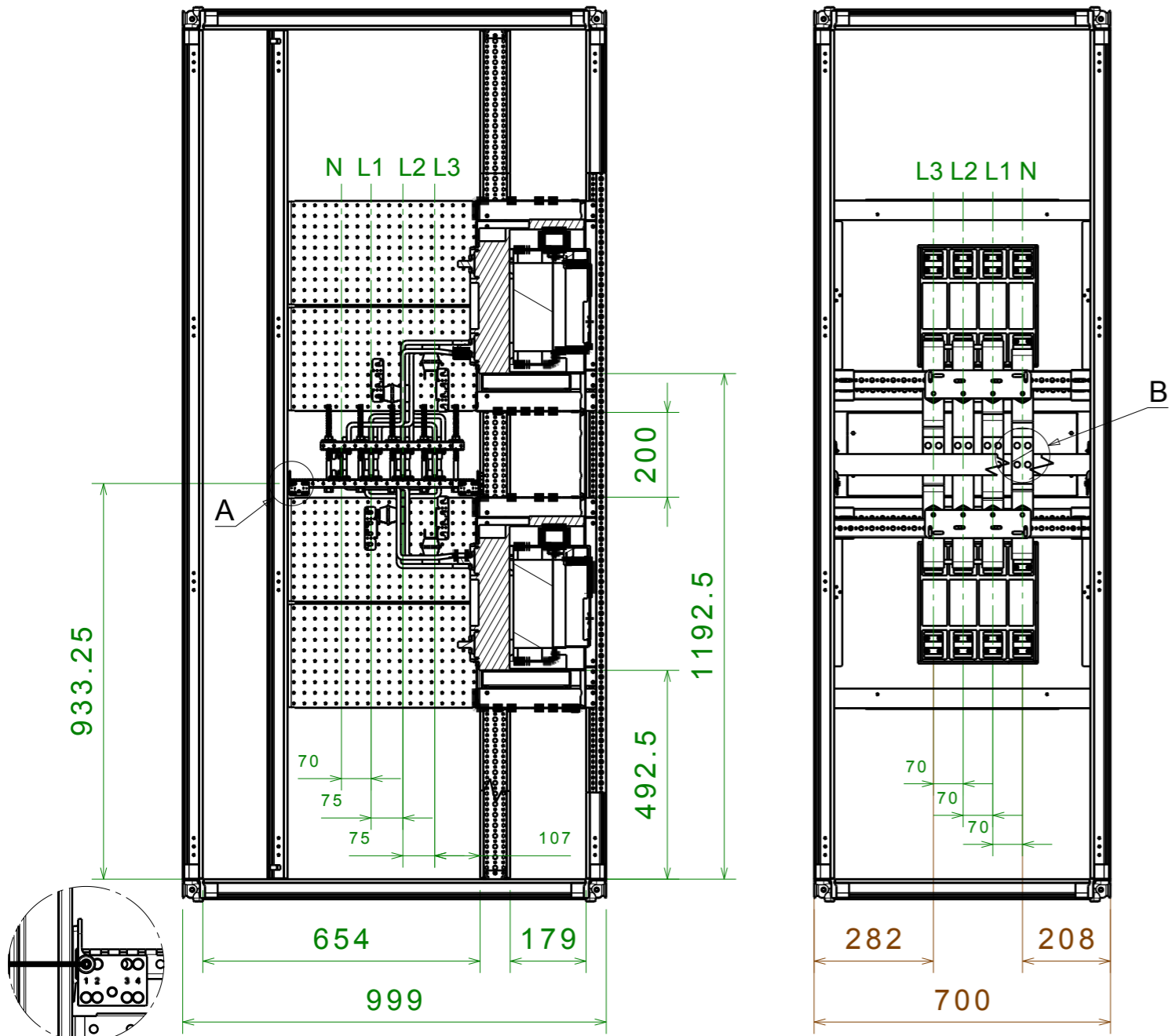
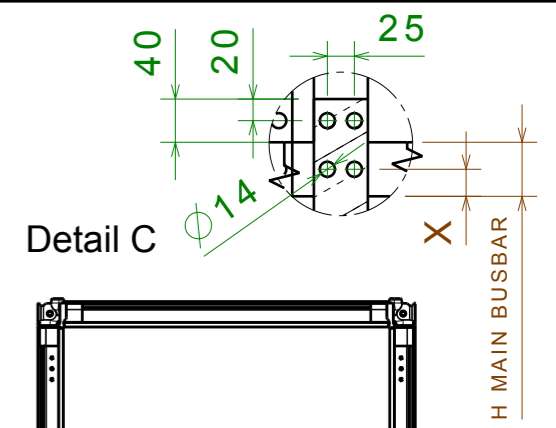


Detail A

SCALA SCALE	: 1:8	N° PROGETTO PROJECT	XXX.XX
DISEGNATORE DESIGNER	:	ABB SACE ADB	
APPROVAZIONE APPROVAL	:	DENOMINAZIONE/NAME: E1.2 1000A/1250A W (COUPLER COLUMN) CONNECTION BUSBARS 2x50x10xP	
DATA	: xx-xx-xx	DISEGNO N° /DRAWING N° 8 6 3 8 5 7	

ASSEMBLY DRAWING
E1.2 1000A/1250A W
(COUPLER COLUMN) $I_{cw} > 36kA$

ASSEMBLY DRAWING
E1.2 1000A/1250A W
(COUPLER COLUMN) $I_{cw} \leq 36kA$



H MAIN BUSBARS		
	40	50
X	20	25

CONNECTION BUSBAR 2x50x10xP + 1x50x10xN

AGG. DI SEGNO	SCALA SCALE : 1:14	N° PROGETTO / PROJECT : XXX.XX
DESIGNER	DISEGNATORE / DESIGNER :	ABB SACE ADB
APPROVAZIONE / APPROVAL	APPROVAZIONE / APPROVAL :	DENOMINAZIONE/NAME : E1.2 1000A/1250A W (COUPLER COLUMN) CONNECTION BUSBARS 2x50x10xP + 1x50x10xN
MODIFICA	DATA DATE : xx-xx-xx	DISEGNO N° / DRAWING N° : 8 6 3 8 9 5
DATA	Formato A3 Formed	

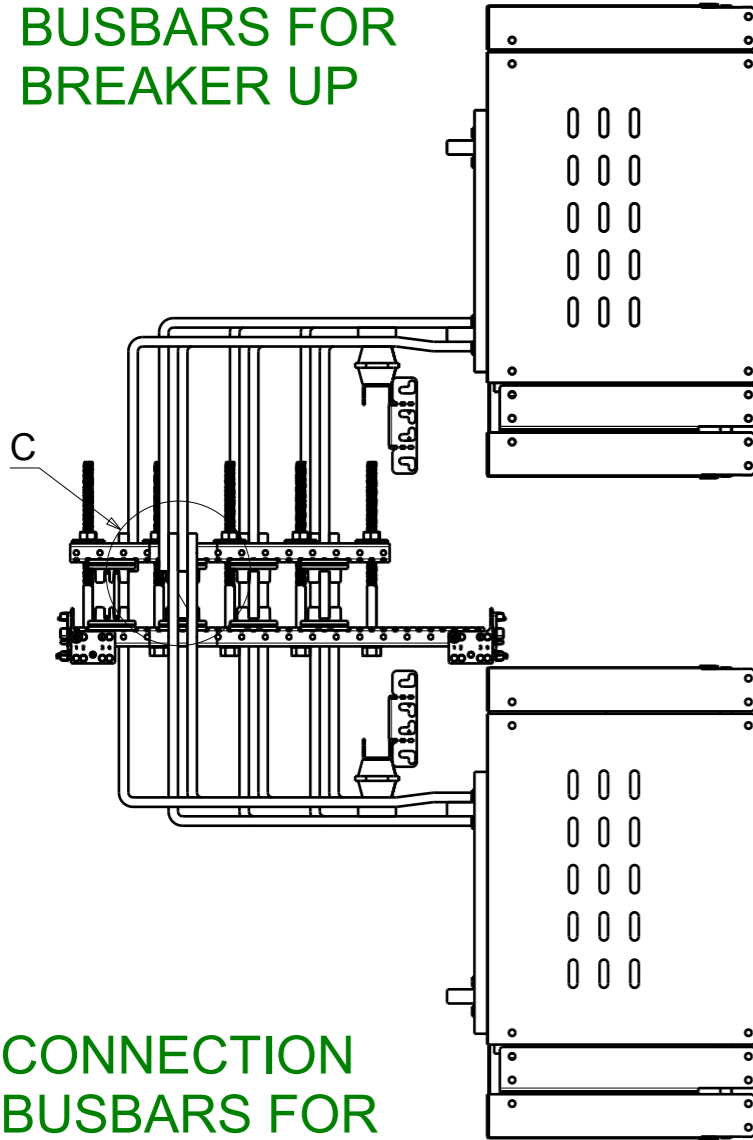
Questo disegno e' di esclusiva proprieta' di ABB SACE ADB. Ne e' vietata la riproduzione e termini di legge

CONNECTIONS FOR E1.2 WITHDRAWABLE 1000A/1250A (COUPLER COLUMN) $I_{cw} \leq 36KA$

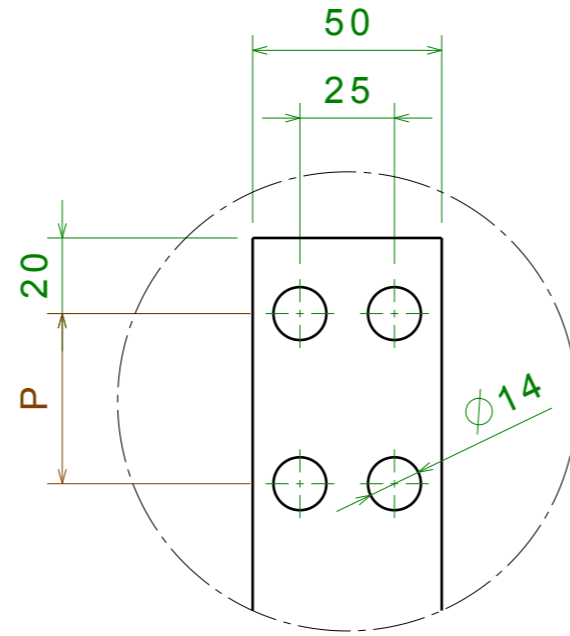
SPEP P = 700mm
 BUSBARS HOLDER PBHB1125 (50mm)
 MAIN BUSBAR WITH N 50% IP30 / IP31 : 1000A (1x40x10) ; 1250A (1x50x10)

PHASE	POS		A	B	C	P
L3	1	L3.1	180.6	267.75	-	-
	2	L3.2	160.6	247.75	-	-
L2	1	L2.1	255.6	267.75	-	-
	2	L2.2	235.6	247.75	-	-
L1	1	L1.1	330.6	267.75	270	-
	2	L1.2	310.6	247.75	270	-
N	1	-	-	-	-	-
	2	N.2	363.1	247.75	270	-

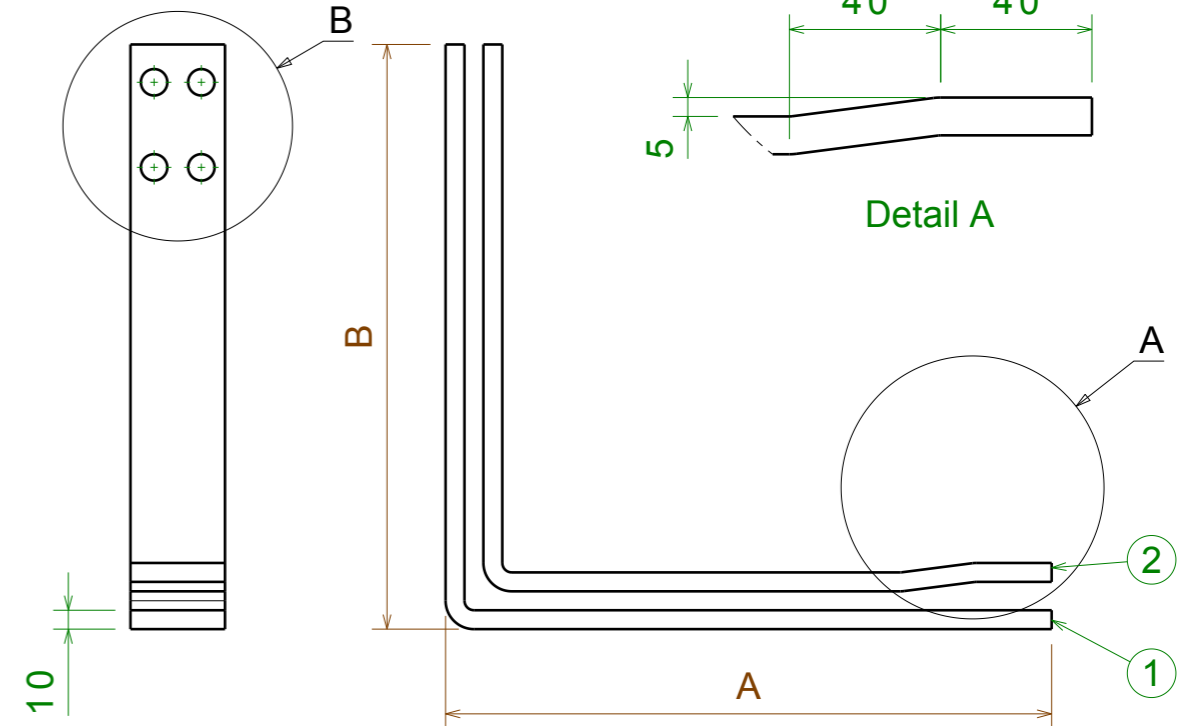
CONNECTION
BUSBARS FOR
BREAKER UP



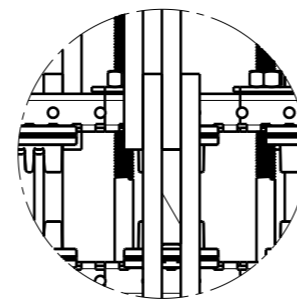
CONNECTION
BUSBARS FOR
BREAKER DOWN



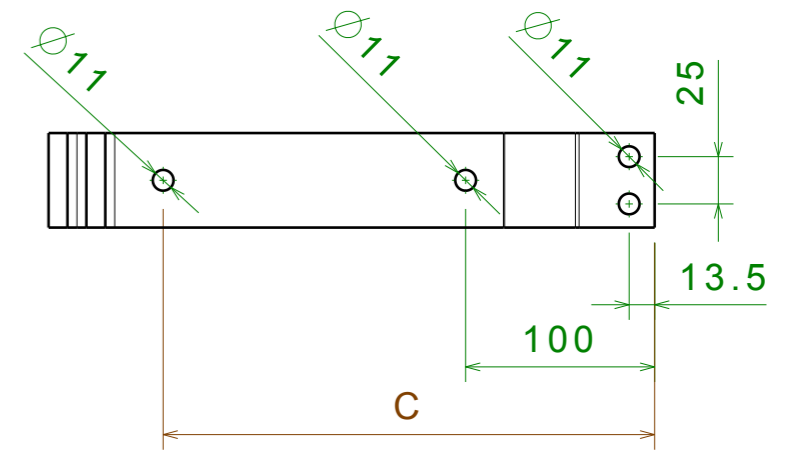
Detail B



Detail A



Detail C

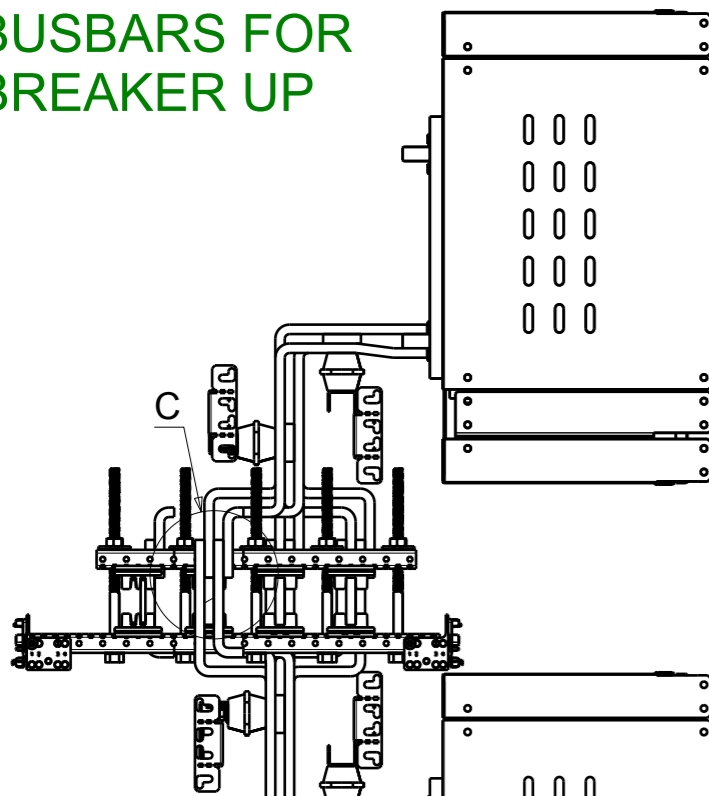


PHASE	POS		A	B	C	P	
						H MAIN BUSBAR	
L3	1	L3.1	170.6	309.25	-	50	45
	2	L3.2	150.6	289.25	-	50	45
L2	1	L2.1	245.6	309.25	-	50	45
	2	L2.2	225.6	289.25	-	50	45
L1	1	L1.1	320.6	309.25	260	50	45
	2	L1.2	300.6	289.25	260	50	45
N	1	-	-	-	-	-	-
	2	N.2	373.1	289.25	260	50	45

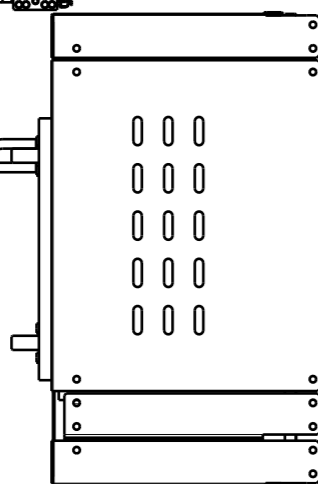
SCALA SCALE	: 1:4	N° PROGETTO : PROJECT	XXX.XX
DISEGNATORE DESIGNER	:	ABB SACE ADB	
APPROVAZIONE APPROVAL	:	DISEGNO N° /DRAWING N°	
DATA DATE	: xx-xx-xx	E1.2 1000A/1250A W (COUPLER COLUMN) CONNECTION BUSBARS 2x50x10xP + 1x50x10xN	
FORMATO FORMED	Formato A3 Formed	8 6 3 8 9 6	

	A	B	C	P
L3.1	160.6	267.75	74.25	-
L3.2	140.6	247.75	94.25	-
L2.1	160.6	267.75	-	-
L2.2	140.6	247.75	-	-
L1.1	160.6	267.75	94.25	-
L1.2	140.6	247.75	74.25	-
-	-	-	-	-
N.2	160.6	247.75	74.25	-

CONNECTION BUSBARS FOR BREAKER UP



CONNECTION BUSBARS FOR BREAKER DOWN



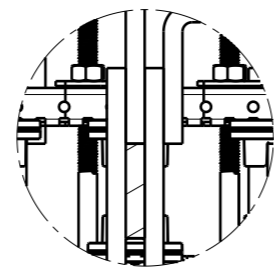
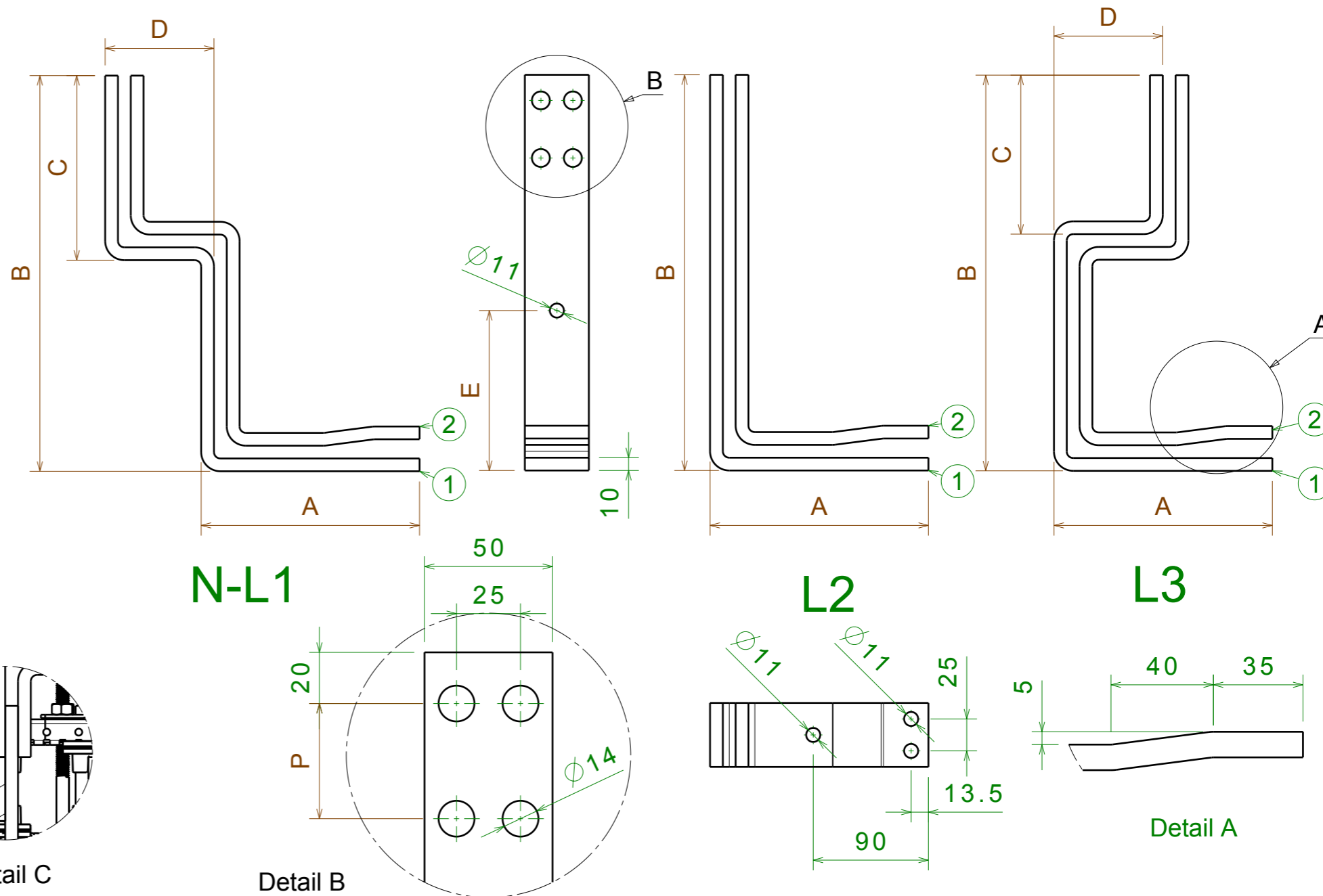
	A	B	C	P	
				H	MAIN BUSBAR
L3.1	170.6	309.25	124.25	50	45
L3.2	150.6	289.25	144.25	50	45
L2.1	170.6	309.25	-	50	45
L2.2	150.6	289.25	-	50	45
L1.1	170.6	309.25	144.25	50	45
L1.2	150.6	289.25	124.25	50	45
-	-	-	-	-	-
N.2	170.6	289.25	124.25	50	45

CONNECTIONS FOR E1.2 WITHDRAWABLE 1000A/1250A (COUPLER COLUMN) I_{cw} > 36KA

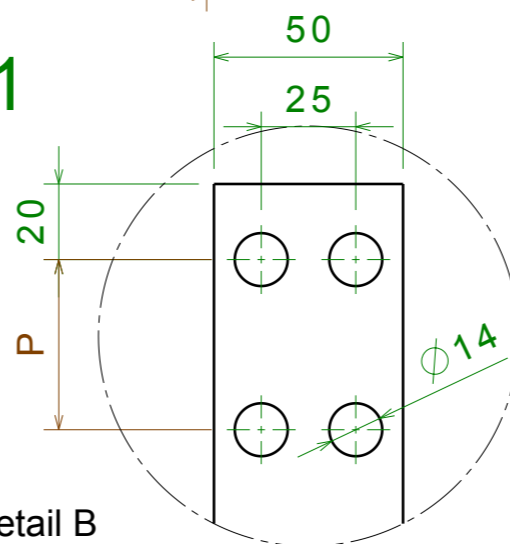
SPEP P = 700mm

BUSBARS HOLDER PBHB1125 (50mm)

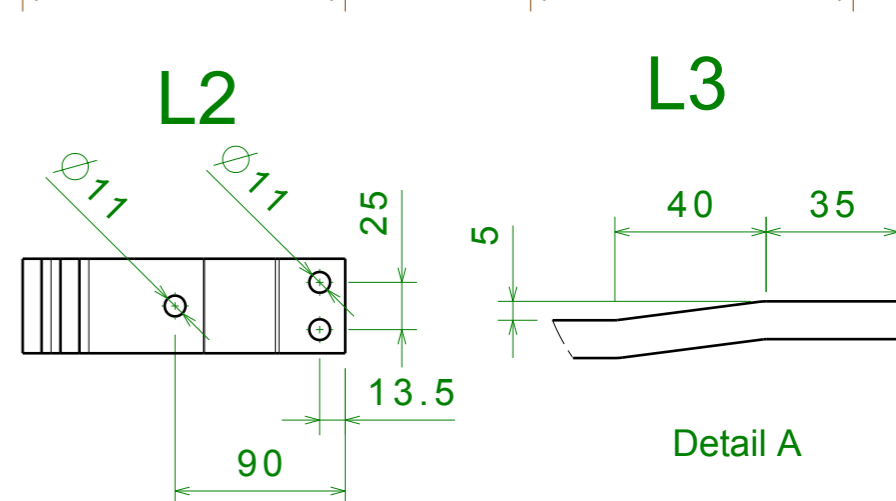
MAIN BUSBAR WITH N 50% IP30 / IP31 : 1000A (1x40x10) ; 1250A (1x50x10)



Detail C



Detail B

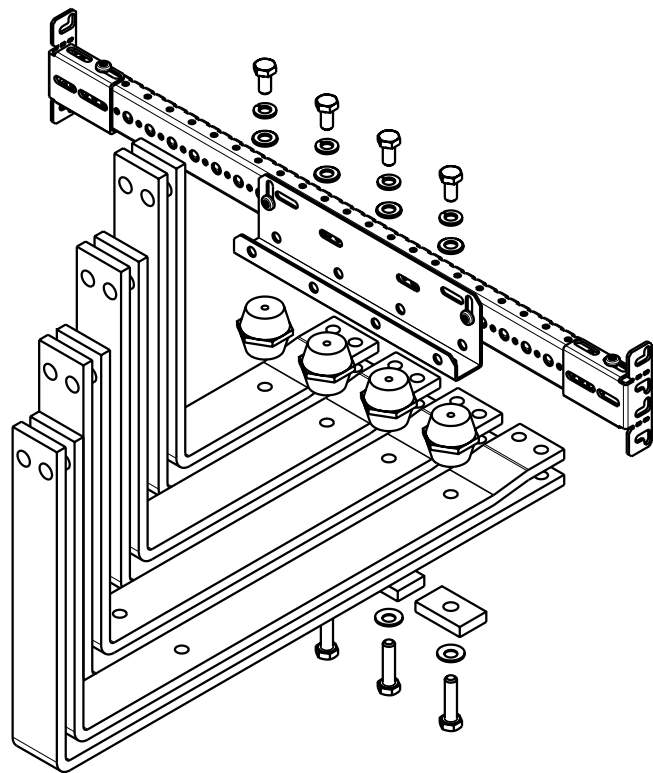


Detail A

PHASE	POS		D	E
L3	1	L3.1	85	125
	2	L3.2	85	105
L2	1	L2.1	-	125
	2	L2.2	-	105
L1	1	L1.1	85	125
	2	L1.2	85	105
N	1	-	-	-
	2	N.2	137.5	105

SCALA SCALE	: 1:8	N° PROGETTO : PROJECT	XXX.XX
DISEGNATORE DESIGNER	:		ABB SACE ADB
APPROVAZIONE APPROVAL	:	DENOMINAZIONE/NAME:	
DATA DATE	: xx-xx-xx	E1.2 1000A/1250A W (COUPLER COLUMN) CONNECTION BUSBARS 2x50x10xP + 1x50x10xN	
FORMATO FORMED	Formato A3 Formed	DISEGNO N° /DRAWING N° 8 6 3 8 9 7	

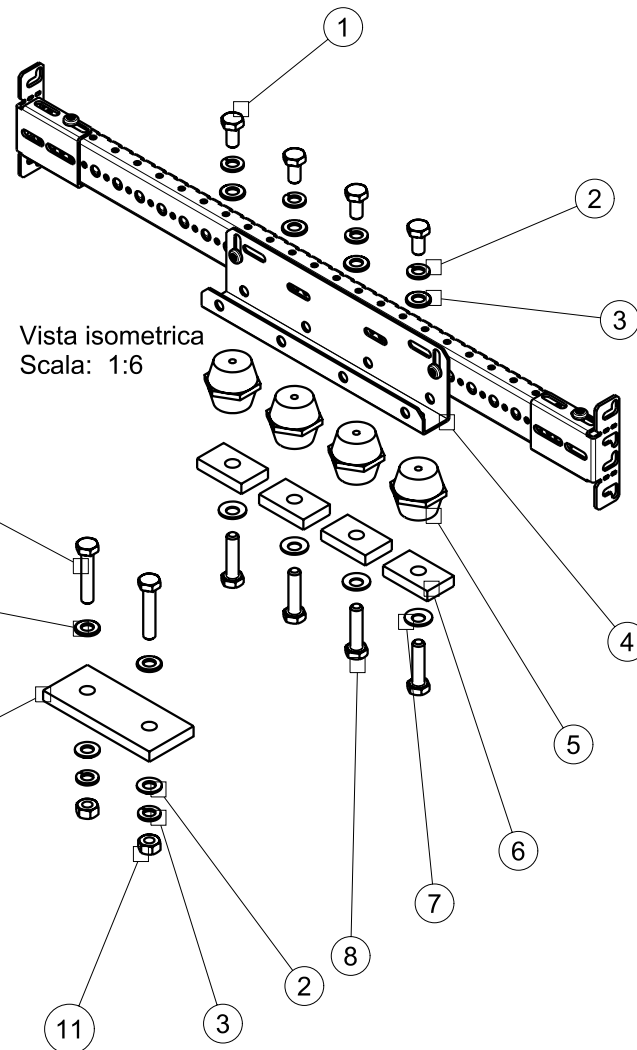
HOLDER FOR Icw 15KA



Vista isometrica
Scala: 1:6

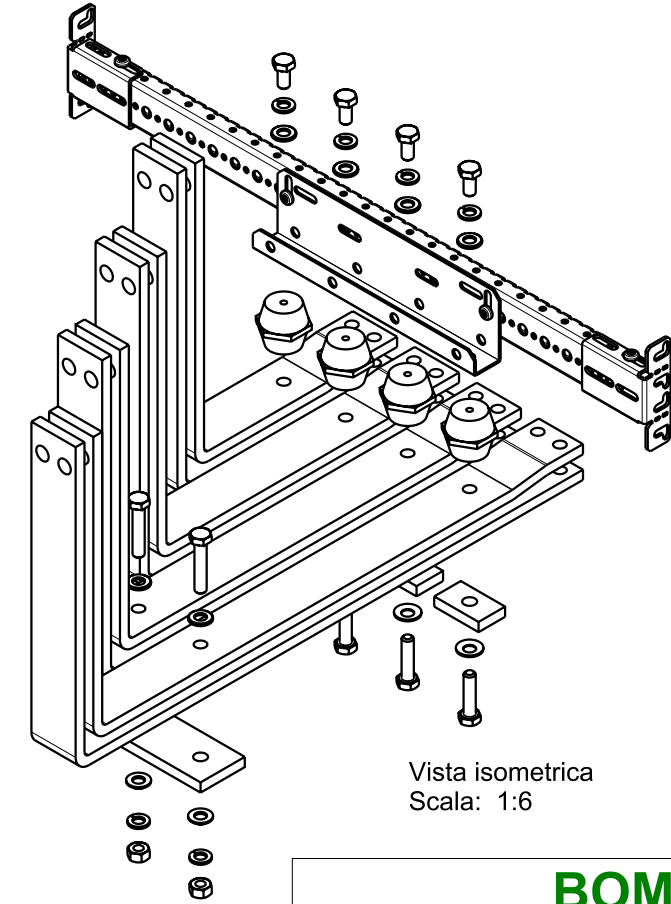
BOM

POS	DESCRIPTION
1	HEX CAP SCREWS M10x16 - 8.8 (VITE TESTA ESAGONALE M10x16 - 8.8)
2	FLAT WASHER M10 (RONDELLA PIANA M10)
3	SPRING LOCK WASHER M10 (ROSETTA ELASTICA GROWER M10)
4	BRACKET FOR INSULATOR (STAFFA ISOLATORI)
5	INSULATOR H40 M10 (ISOLATORI H40 M10)
6	CUPPER SPACER H10mm (SPESSORE IN RAME H10mm)
7	CONICAL SPRING WASHER M10 (ROSETTE ELASTICHE CONICHE M10)
8	HEX CAP SCREWS M10x__ - 8.8 (VITE TESTA ESAGONALE M10x__ - 8.8)



Vista isometrica
Scala: 1:6

HOLDER FOR Icw 25-36KA



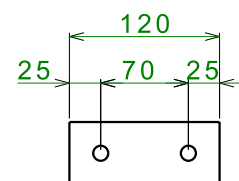
Vista isometrica
Scala: 1:6

BOM

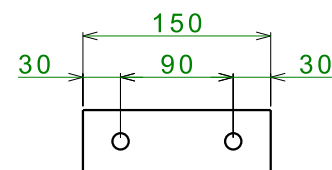
N° PART	DESCRIPTION
1	HEX CAP SCREWS M10x16 - 8.8 (VITE TESTA ESAGONALE M10x16 - 8.8)
2	FLAT WASHER M10 (RONDELLA PIANA M10)
3	SPRING LOCK WASHER M10 (ROSETTA ELASTICA GROWER M10)
4	BRACKET FOR INSULATOR (STAFFA ISOLATORI)
5	INSULATOR H40 M10 (ISOLATORI H40 M10)
6	CUPPER SPACER H10mm (SPESSORE IN RAME H10mm)
7	CONICAL SPRING WASHER M10 (ROSETTE ELASTICHE CONICHE M10)
8	HEX CAP SCREWS M10x__ - 8.8 (VITE TESTA ESAGONALE M10x__ - 8.8)
9	GPO3 PROFILE
10	HEX CAP SCREWS M10x__ - 8.8 (VITE TESTA ESAGONALE M10x__ - 8.8)
11	NUT M10 - (DADO M12)

GPO3 PROFILE

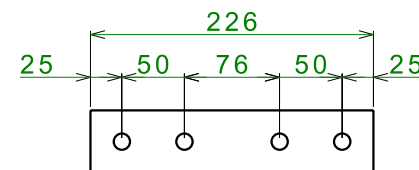
E1.2 2 PHASE



E2.2 2 PHASE



E4.2 2 PHASE



801

FIG.

DIMENSIONI / DIMENSION

PESO / WEIGHT

mm

UNITA' DI MISURA / UNITS OF MEASUREMENT

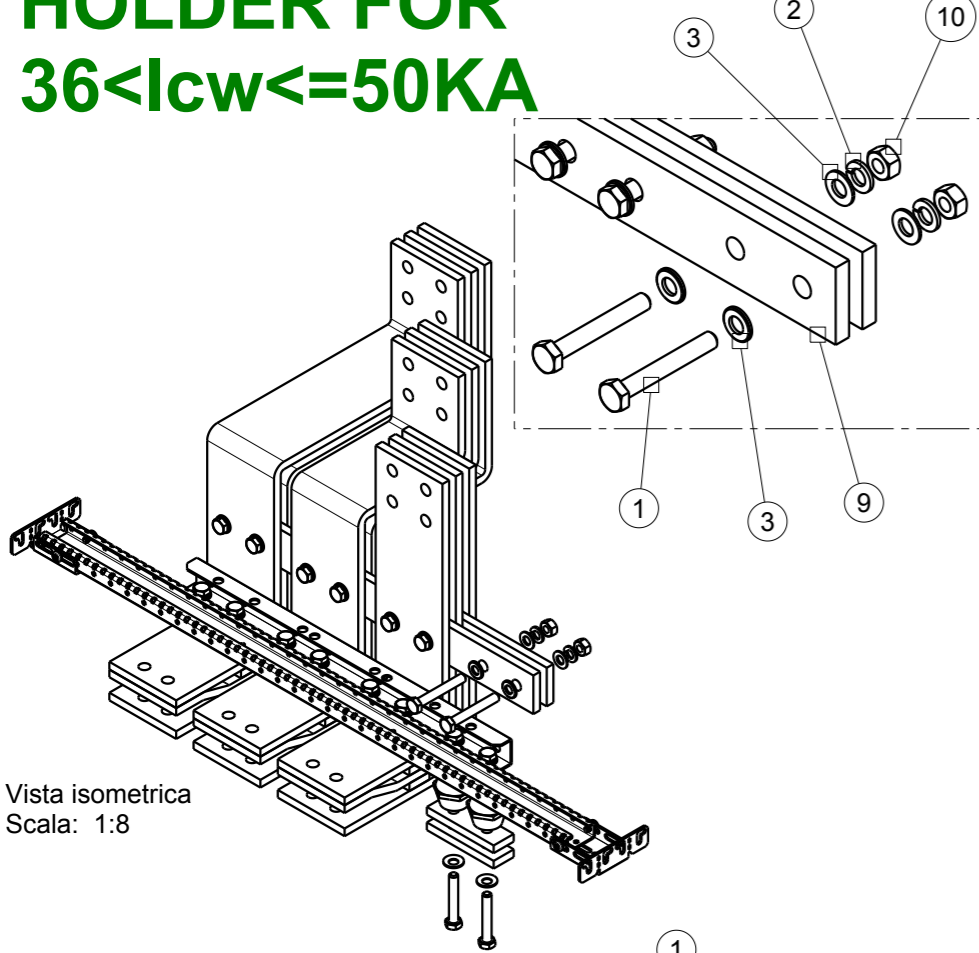
SCALA / SCALE	:	MAT. / MAT. :
DISegnato DA / DRAW BY	:	TRATT. / TREAT :
APPROVAZIONE / APPROVAL	:	PROGETTO N° / PROJECT N° : 142.00
DATA / DATE	: 14.04.2016	ABB ABB SACE ADB
Formato / Format	A3	DESCRIZIONE / DESCRIPTION : ANCORAGGIO BARRE A "L" "L" TYPE CONNECTIONS SUPPORT

DISEGNO N° / DRAWING N°

863876

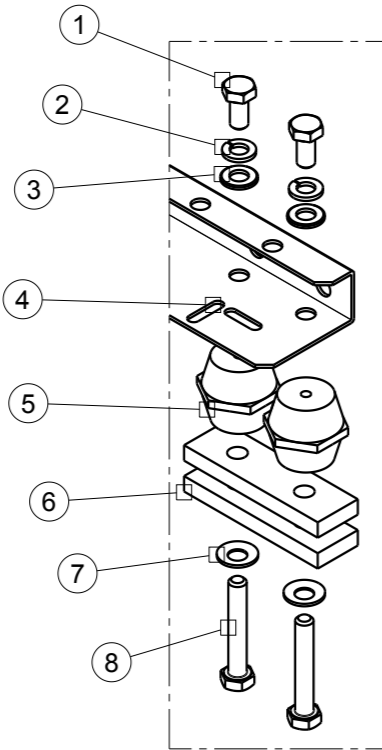
HOLDER FOR 36<I_{cw}<=50KA

Vista isometrica
Scala: 1:8



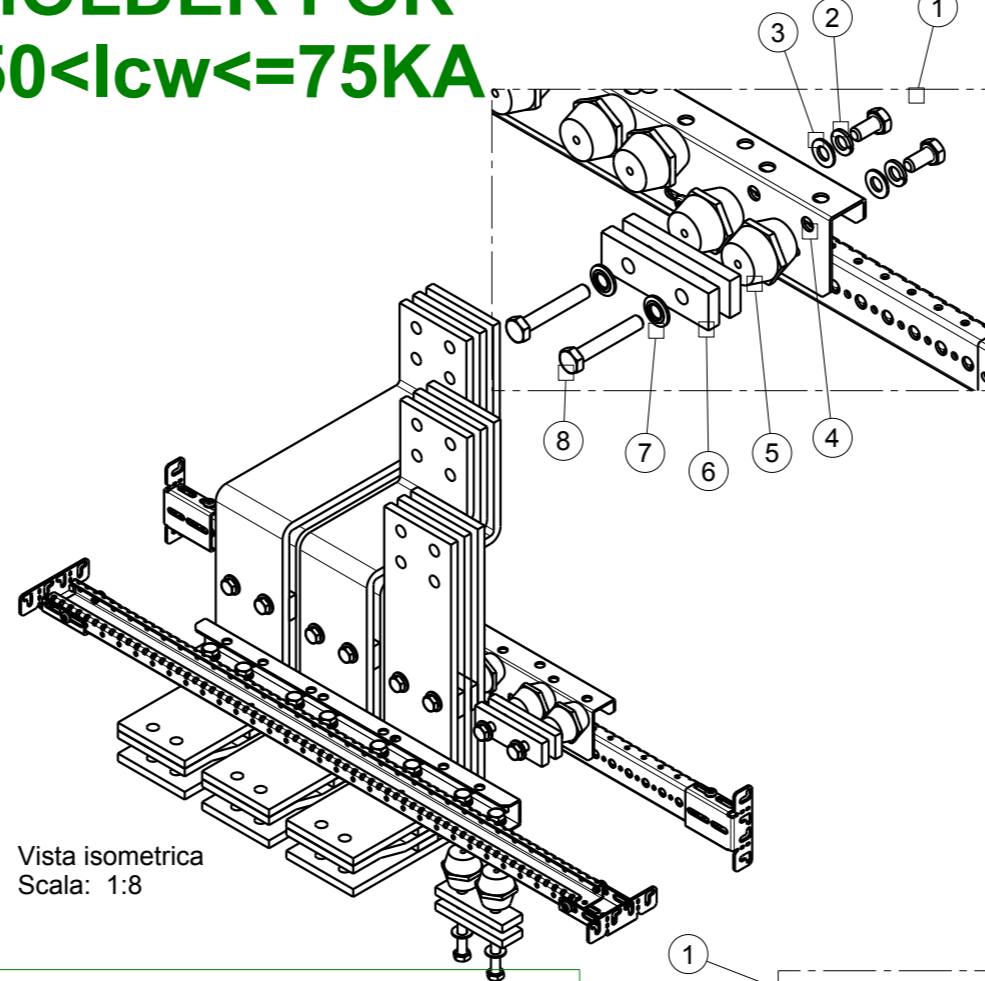
BOM 36<I_{cw}<=50KA

POS	DESCRIPTION
1	HEX CAP SCREWS M10x16 - 8.8 (VITE TESTA ESAGONALE M10x16 - 8.8)
2	FLAT WASHER M10 (RONDELLA PIANA M10)
3	SPRING LOCK WASHER M10 (ROSETTA ELASTICA GROWER M10)
4	BRACKET FOR INSULATOR (STAFFA ISOLATORI)
5	INSULATOR H40 M10 (ISOLATORI H40 M10)
6	CUPPER SPACER H10mm (SPESSORE IN RAME H10mm)
7	CONICAL SPRING WASHER M10 (ROSETTE ELASTICHE CONICHE M10)
8	HEX CAP SCREWS M10x__ - 8.8 (VITE TESTA ESAGONALE M10x__ - 8.8)
9	GPO3 PROFILE
10	NUT M10 - DADO M10



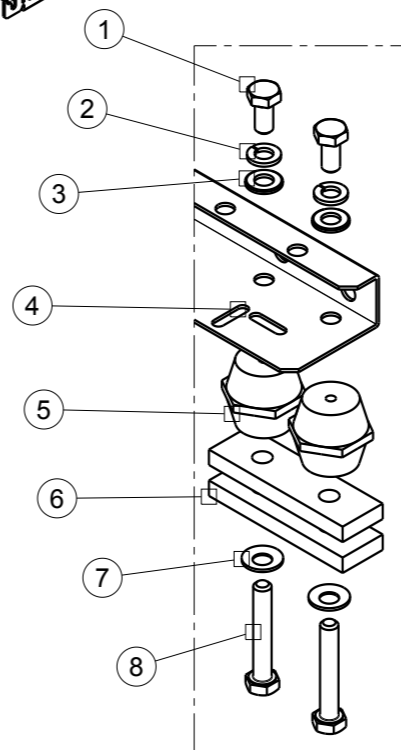
HOLDER FOR 50<I_{cw}<=75KA

Vista isometrica
Scala: 1:8



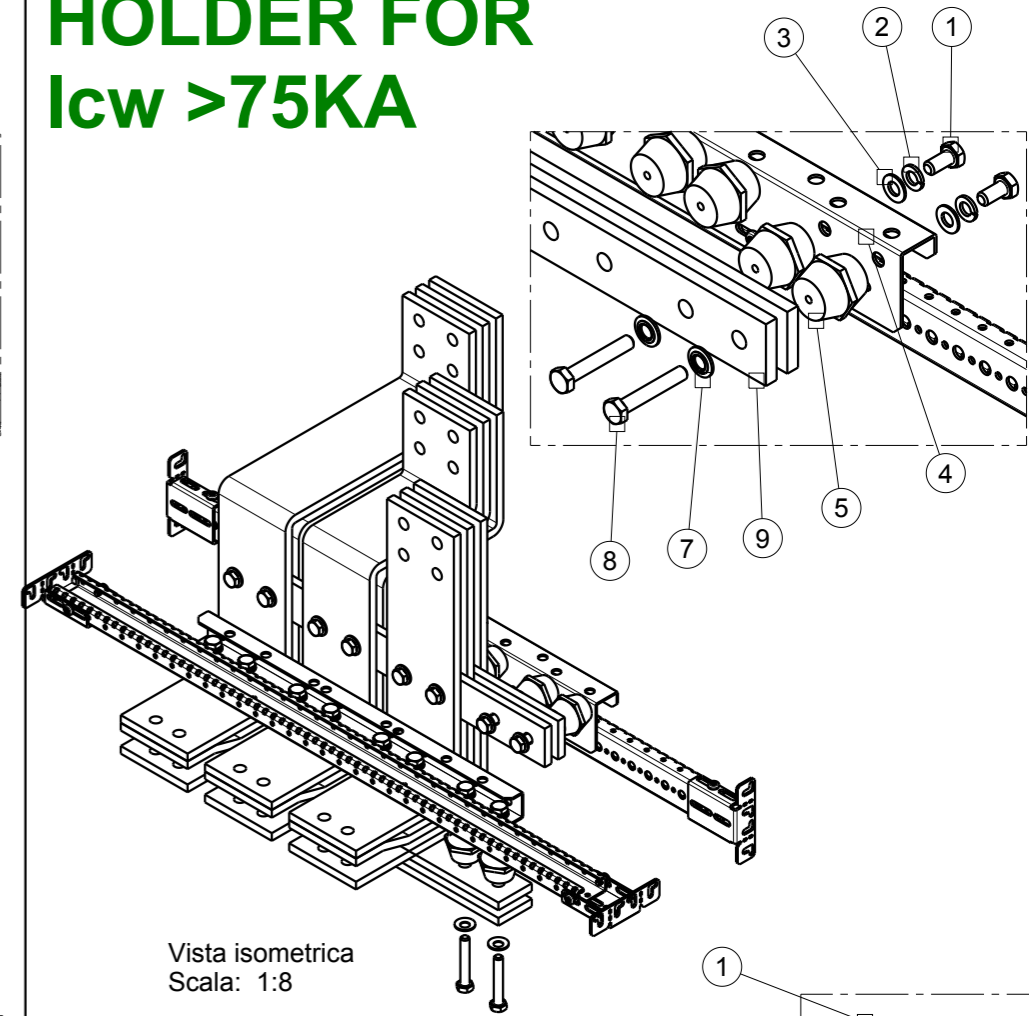
BOM 50<I_{cw}<=75KA

POS	DESCRIPTION
1	HEX CAP SCREWS M10x16 - 8.8 (VITE TESTA ESAGONALE M10x16 - 8.8)
2	FLAT WASHER M10 (RONDELLA PIANA M10)
3	SPRING LOCK WASHER M10 (ROSETTA ELASTICA GROWER M10)
4	BRACKET FOR INSULATOR (STAFFA ISOLATORI)
5	INSULATOR H40 M10 (ISOLATORI H40 M10)
6	CUPPER SPACER H10mm (SPESSORE IN RAME H10mm)
7	CONICAL SPRING WASHER M10 (ROSETTE ELASTICHE CONICHE M10)
8	HEX CAP SCREWS M10x__ - 8.8 (VITE TESTA ESAGONALE M10x__ - 8.8)
9	GPO3 PROFILE



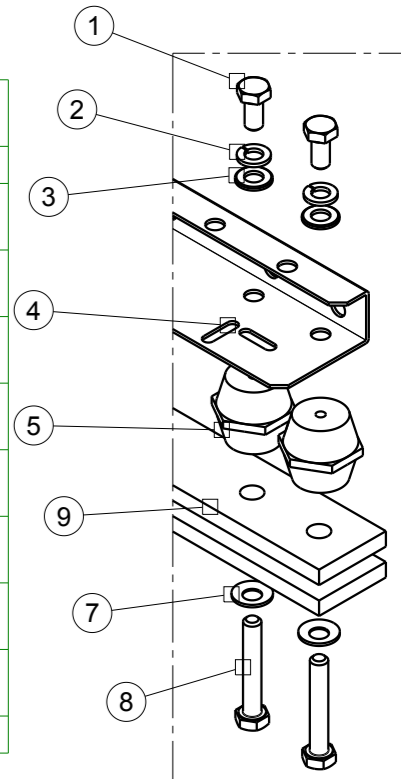
HOLDER FOR I_{cw} >75KA

Vista isometrica
Scala: 1:8



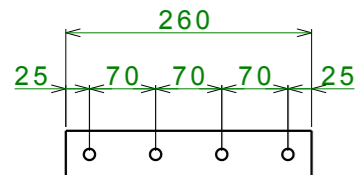
BOM I_{cw}>75KA

POS	DESCRIPTION
1	HEX CAP SCREWS M10x16 - 8.8 (VITE TESTA ESAGONALE M10x16 - 8.8)
2	FLAT WASHER M10 (RONDELLA PIANA M10)
3	SPRING LOCK WASHER M10 (ROSETTA ELASTICA GROWER M10)
4	BRACKET FOR INSULATOR (STAFFA ISOLATORI)
5	INSULATOR H40 M10 (ISOLATORI H40 M10)
6	CUPPER SPACER H10mm (SPESSORE IN RAME H10mm)
7	CONICAL SPRING WASHER M10 (ROSETTE ELASTICHE CONICHE M10)
8	HEX CAP SCREWS M10x__ - 8.8 (VITE TESTA ESAGONALE M10x__ - 8.8)
9	GPO3 PROFILE

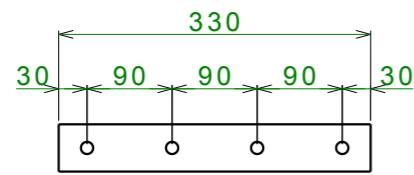


GPO3 PROFILE

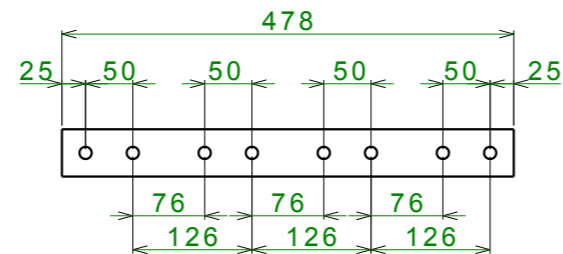
E1.2 4P



E2.2 4P



E4.2 4P



801

FIG.

DIMENSIONI / DIMENSION

PESO / WEIGHT

mm

UNITA' DI MISURA
UNITS OF MEASUREMENT

AGG. DI SEGNO DISTR. MOD.	SCALA SCALE	MAT. / MAT. :
VERSIONE VERSION	DISEGNATO DA DRAW BY	TRATT. / TREAT :
DATA DATE	APPROVAZIONE APPROVAL	PROGETTO N° : PROJECT N° : 142.00
	ABB	ABB SACE ADB
	Formato Format A3	DESCRIZIONE / DESCRIPTION: DIVERSI TIPI DI ANCORAGGIO DIFFERENT TYPES OF SUPPORT

DISEGNO N° / DRAWING N°

863877