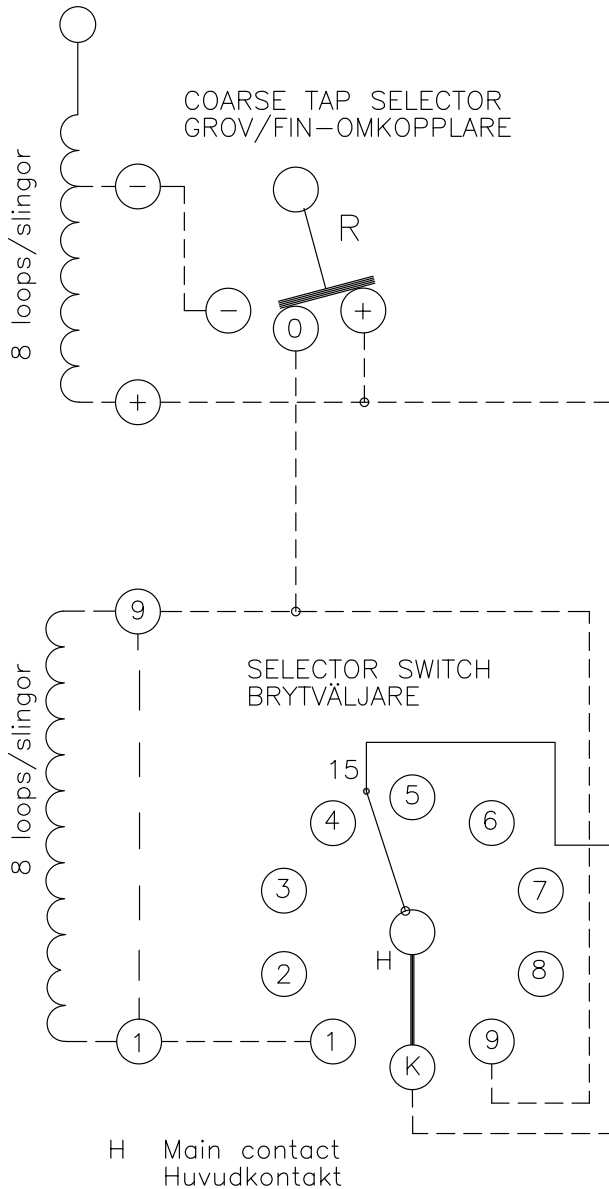


On-load tap-changer type VUBBD, UBBD, 17 tap positions, coarse/fine-switching.
 Max effective No. of turns in pos 1.
 The tap-changer is delivered set in pos 9, the preceding pos. was 9A.

Lindningskopplare typ VUBBD, UBBD, 17 lägen, grov/fin-koppling.
 Max antal effektiva varv i läge 1.
 Lindningskopplaren levereras inställd i läge 9, föregående läge var 9A.

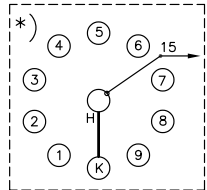


Pos Läge	R connects förbinder	H connects förbinder
1		1 - 15
2		2 - 15
3		3 - 15
4		4 - 15
5		5 - 15
6		6 - 15
7	0+	7 - 15
8		8 - 15
9A		9 - 15
9		K - 15
9B		1 - 15
10		2 - 15
11		3 - 15
12	0-	4 - 15
13		5 - 15
14		6 - 15
15		7 - 15
16		8 - 15
17		9 - 15

We reserve all rights in this document and in the information contained therein. Reproduction, use or disclosure to third parties without express authority is strictly forbidden.
 © ABB '19

1) OUTPUT TERMINAL
STRÖMAVTAGNING

*) FOR VUBB TYPE OF OLTC
I VUBB UTFÖRANDE



1) Internal connections between the terminals 15 of the three phases are included in the star-point type. Dashed lines show in delivery not included leads belonging to cleats and leads.

Inre förbindningar mellan uttag 15 i de tre faserna ingår i nollpunktsutförande. Streckade linjer visar i leveransen ej ingående ledare tillhörande anslutningsdonet.

Sheet	Cont
Year	Week
Dept	
Rev Ind	Revision
Rev Ind	Accepted by qual control
Rev Ind	Accepted for prod by
Design checked by	Design checked by
Design checked by	Design checked by
Design checked by	Design checked by
Issued by	Year
Year	Week
Lang	Sheet
Rev Ind	Cont

2	Output for VUBB type added.	DAAN	20	15
1	VUBBD added.	TL	10	27

Accepted by qual control R.Yngvesson	Accepted for prod by	Description (English) CONNECTION DIAGRAM	DATA ORIGINAL
Design checked by B-O.Stenestam	Drawn by L.Bergman	Description (own language) KOPPLINGSSCHEMA	File name 0389-6
Design checked by M.Hedlund	Issued by Dept Year Week COM/TKO 97 32	Lang	Sheet 1
Asea Brown Boveri		Rev Ind	Cont -

5492 0389-6