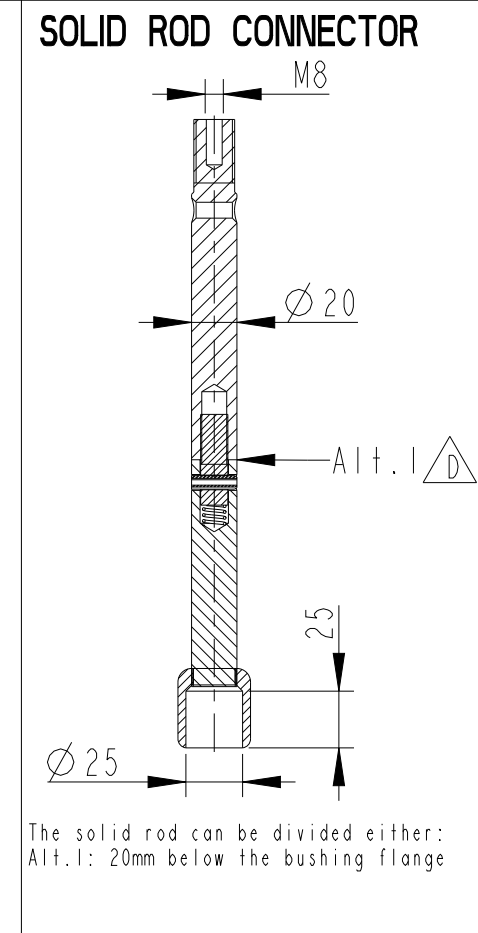
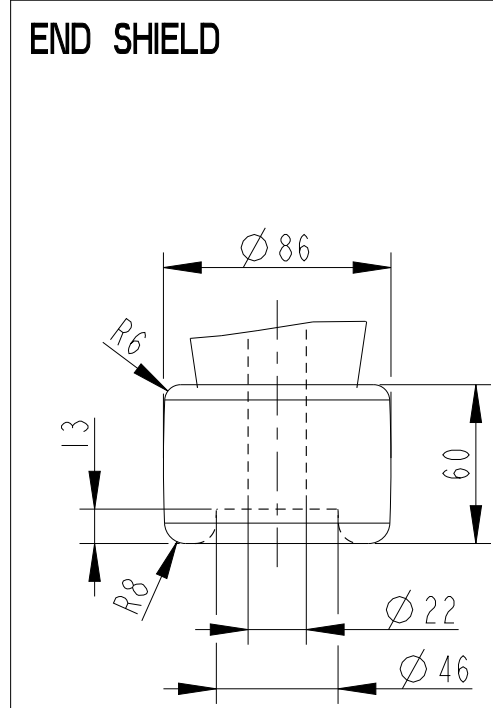
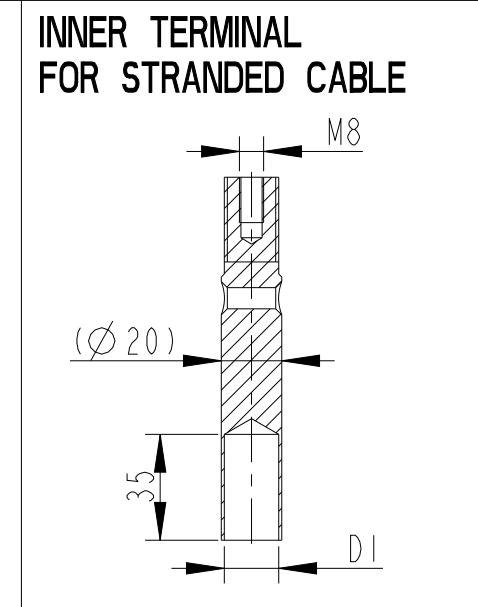
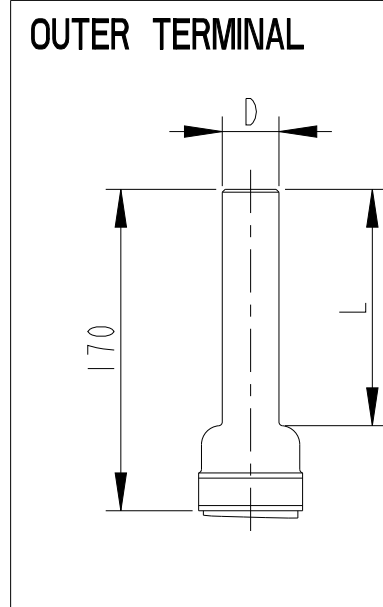
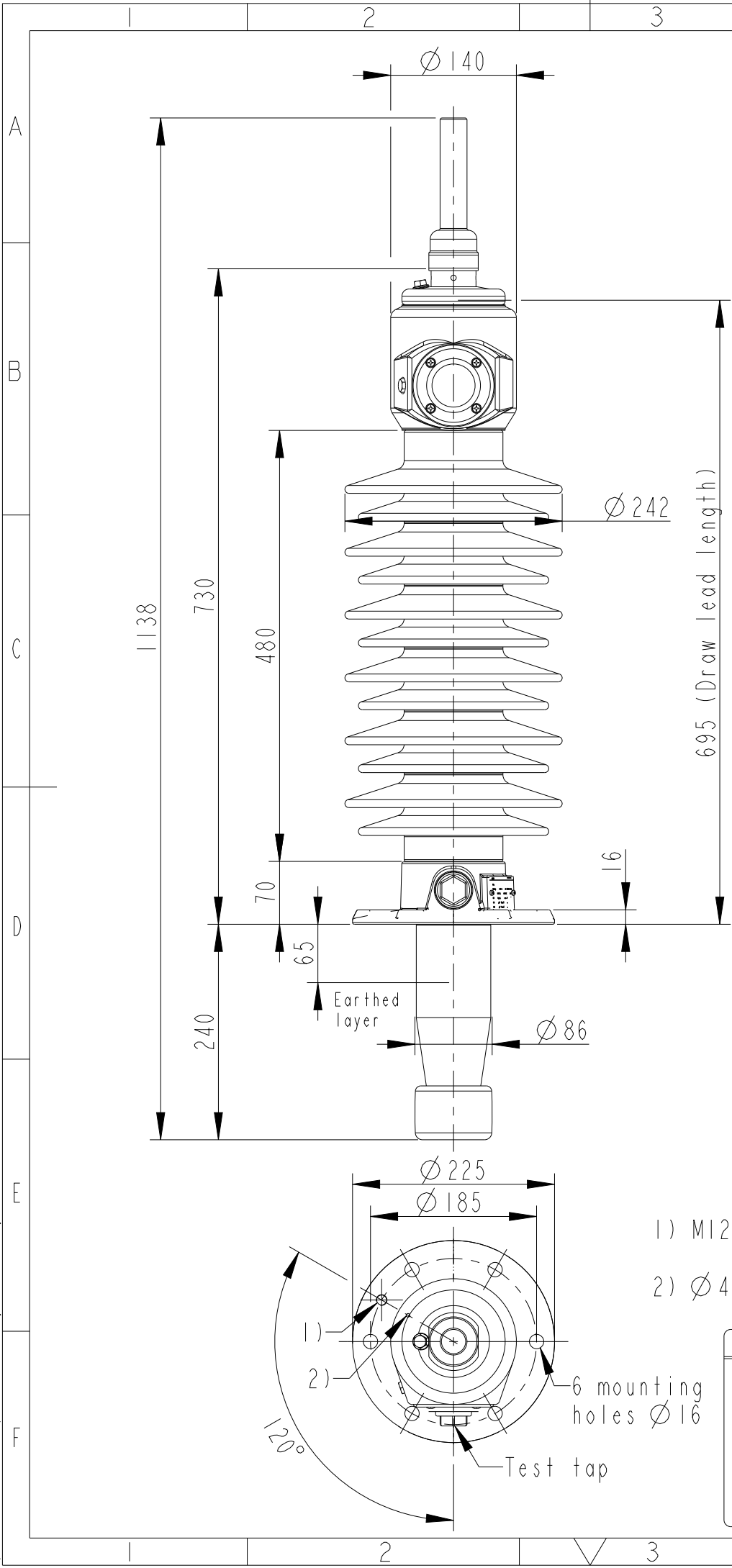


This document is issued by means of a computerized system. The digitally stored original is electronically approved. The approved document has a date entered in the "Approved"-field. A manual signature is not required.

We reserve all rights in this document and in the information contained therein. Reproduction, use or disclosure to third parties without express authority is strictly forbidden.

Revision	Revision text
D	Removed Alt.2, Changed the Phase to ground voltage from 52 to 30kV



Bushing Data:

Rated Voltage	52	kV
Phase to Ground Voltage	Δ 30	kV
Dry Lightning Impulse 1,2/50µs	250	kV
Wet power frequency AC	105	kV
Routine test 1min dry 50Hz	120	kV
Rated Current	800	A
Creepage Distance	1690±50	mm
Creepage Distance Protected	650	mm
Mass	32	kg

Ordering Data:

BUSHING	COLOUR	AIR INSULATOR
LF123171-K	BROWN	
LF123171-L	LIGHT GREY	
LF123171-HK	BROWN	Horizontal 45°-90°
LF123171-HL	LIGHT GREY	Horizontal 45°-90°

OUTER TERMINAL	Material	D	L
LF 170 002-A	Cu Alloy	∅ 30	125
LF 170 001-A	Al	∅ 30	125

OTHER TYPES ON REQUEST

INNER TERMINAL FOR STRANDED CABLE

For brazing	Conductor area	D1
LF 170 011-S	up to 150mm²	∅ 18
LF 170 011-U	Undrilled with pilot hole	∅ 5

For crimping or brazing

Conductor area	D1	
LF 170 010-M	50mm²	∅ 11
LF 170 010-N	70mm²	∅ 13
LF 170 010-L	95mm²	∅ 15

SOLID ROD CONNECTOR

Material	
LF 170 019-AM for Alt.1	Cu

- 1) M12 (For Earthing)
- 2) ∅ 4 Oil connection hole (only valid for horizontal mounting)

ABB		Ludvika, Sweden	
No.			
Um	kV Ir	A	50/60 Hz
BIL	kV SIL	kV AC	kV
M	kg L	mm	°
C1	pF Tan δ	x	
C2	pF Tan δ	x	

Approved 2019-11-22	Document Kind Outline Drawing	Based on doc.id	Work order id	Project id
Company ABB Technology Ltd	Title, Supplementary title GOB 250-800-0 WITH OIL LEVEL GAUGE STD END SHIELD			
Responsible Department SEABB-9AAE300824	Document id 2751369-169	Status Released	Revision D	Iteration 1/1