

INSTALLATION INSTRUCTIONS

ReliaGear® Merchandised lighting panelboards

ReliaGear® Merchandised NEMA 1 interiors



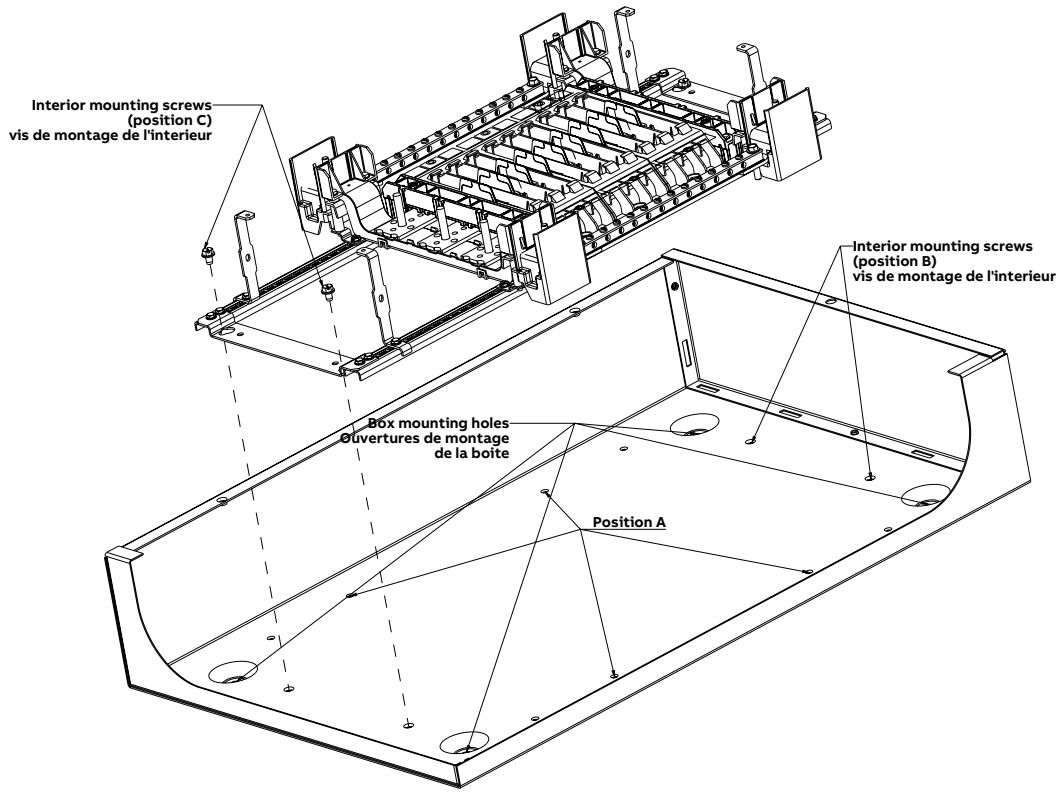
These instructions describe the installation of a ReliaGear Merchandised interior into a ReliaGear lighting panelboard NEMA 1 enclosure. This interior is only for use in a 43", 49" or 76" high enclosure of standard width and depth.

Installation

Use the following procedure to install a ReliaGear Merchandised interior into a ReliaGear lighting panelboard enclosure, as illustrated in figure 1.

1. Remove the four (125 A and 225 A panels) or eight (400 A and 600 A panels) screws securing the shield to the panelboard interior. Lift off the shield and set it and the screws aside.
2. Remove the four interior mounting screws from position A. Reinstall two of them loosely at position B, retaining the other two.
3. Mount the box to the wall using the four embossed mounting holes.
4. Hold the interior near its bottom end, then place the two key-shaped mounting holes at the top end of the interior over the mounting screws in the box at position B. Release the bottom of the interior and allow it to hang in the box. Secure the bottom end of the interior to the box at position C with the two remaining screws removed in step 2. Tighten all the screws.
5. Reattach the shield to the interior with the four or eight screws removed in step 1.

—
01 Installation of a
ReliaGear® Merchandised
interior into a ReliaGear
lighting panelboard.



—
01

—
ABB Inc.
305 Gregson Drive
Cary, NC 27511
electrification.us.abb.com

electrification.us.abb.com

—
We reserve the right to make technical changes or modify the contents of this document without prior notice. With regard to purchase orders, the agreed particulars shall prevail. ABB Inc. does not accept any responsibility whatsoever for potential errors or possible lack of information in this document.

—
We reserve all rights in this document and in the subject matter and illustrations contained therein. Any reproduction, disclosure to third parties or utilization of its contents – in whole or in parts – is forbidden without prior written consent of ABB Inc. Copyright© 2023 ABB
All rights reserved