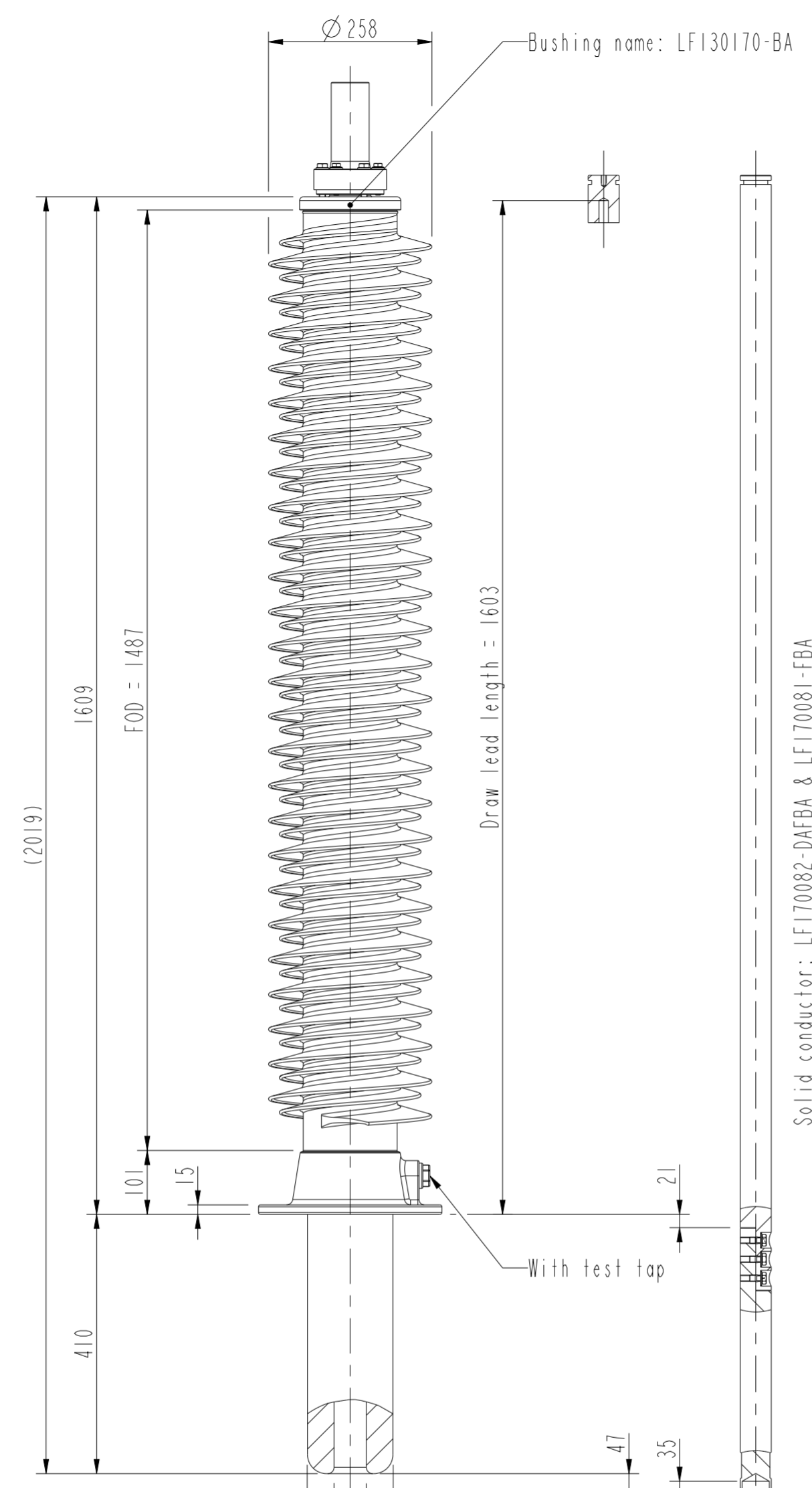


This document is issued by means of a computerized system. The digitally stored original is electronically approved. The approved document has a date entered in the "Approved"-field. A manual signature is not required.

Revision: Revision text
E Shed profile updated.



Bushing name: LF130170-BA

Solid conductor: LF170082-DAFBA & LF170081-FBA

INNER TERMINAL	
Catalogue No	D_CABLE
LF170080-A	5
LF170080-B	11
LF170080-C	13
LF170080-D	15
LF170080-E	18
LF170080-F	30
LF170080-G	42
LF170080-H	45

SOLID CONDUCTOR, UPPER	
Catalogue No	MASS
LF170081-FBA	28,8

SOLID CONDUCTOR, LOWER	
Catalogue No	MASS
LF170082-DAFBA	5,8

OUTER TERMINAL				
Catalogue No	MATERIAL	MASS	H2	D_STUD
LF170079-A	AL	2,7	125	60
LF170079-B	AL	1,9	125	30
LF170079-C	CU	6,1	125	60
LF170079-D	CU	4,0	125	30
LF170079-E	CU/SN	6,6	125	60
LF170079-F	CU/SN	4,0	125	30
LF170079-G	CU/AG	6,6	125	60
LF170079-H	CU/AG	4,0	125	30
LF170079-AD	CU/AG	3,4	80	40
LF170079-AE	CU	3,4	80	40
LF170079-AF	CU/AG	5,0	125	2"-12 UNF

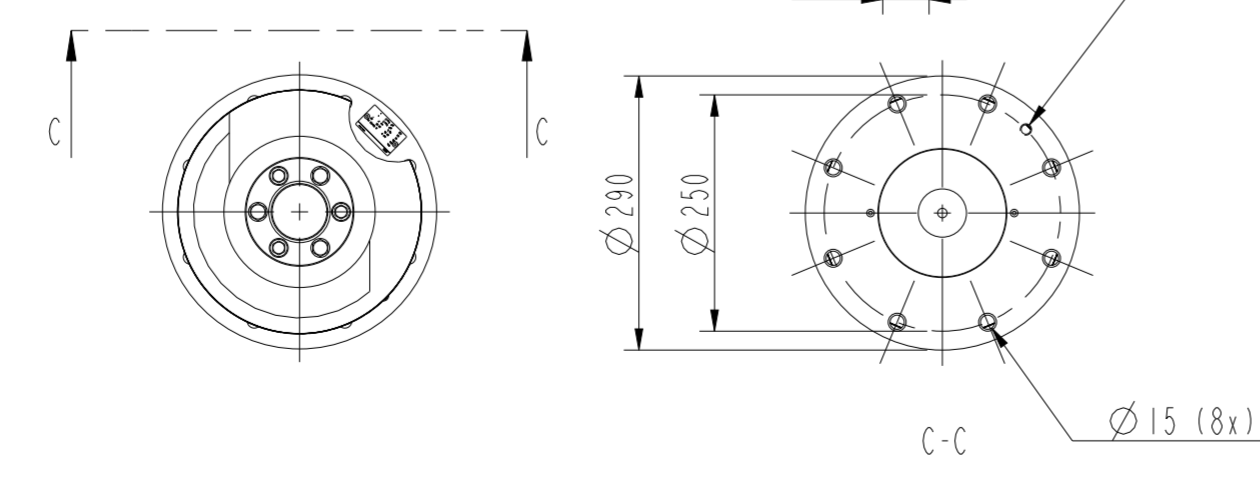
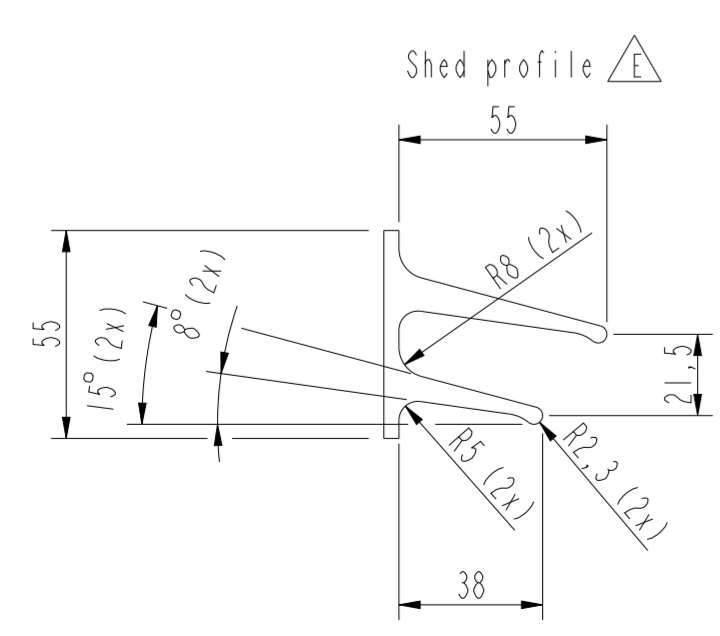
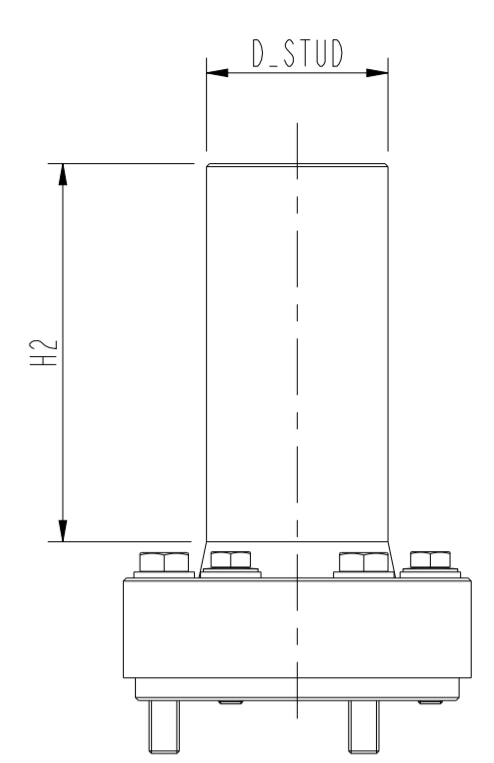


ABB Ludvika, Sweden

GSA 170-OA1600/0 LF130170-BA
No.

Um 170 kV Ir1600 A 50/60 Hz
BIL 750 kV SIL - kV AC 365 kV
M 55 kg L 410 mm \sphericalangle 0-90°
C1 pF Tan δ x
C2 pF Tan δ x

ELECTRICAL DATA acc. to IEC 60137			
Ratings	Rated voltage	170	kV
	Rated phase-to-earth voltage	98	kV
	Max. phase to earth voltage, temporary	170	kV
	Max. current with Cu-conductor	1600	A
	Max. current with stranded cable 740 mm ²	1250	A
	Dry lightning impulse	750	kV
	Wet power frequency	325	kV
Routine test	Dry power frequency	365	kV
Capacitance	Nominal capacitance	282	pF

GENERAL DATA			
Silicone rubber insulator	Creepage distance	5504	mm
	Protected creepage distance	2400	mm
	Color	Light gray	ANSI 70
Mass	Bushing	55	kg
Cantilever load	Cantilever test load, according to IEC 60137	4000	N
	Max. cantilever operating load, bushing	2000	N
Temp. class	According to IEC 60137	Class	3
Mounting and service instructions		2750515-115	

ELECTRICAL DATA acc. to ANSI C57.19.00			
Ratings	Insulation class	161	kV
	Rated max. line to ground voltage	102	kV
	Max. current with Cu-conductor	1600	A
	Max. current with stranded cable 740 mm ²	1250	A
Dim. requirements acc. to C57.19.1 not fulfilled			

Approved 2016-10-18	Document Kind Outline Drawing	Based on doc. id	Work order id	Project id
Company ABB AB	Title, Supplementary title Dimension drawing GSA 170-OA 1600/0			
Responsible Department SEABB-9AAE300824	Genomföring GSA 170-OA 1600/0			
ABB	Document id 2751362-FBA	Status Approved	Revision E	Iteration 2
				Sheet 1/1