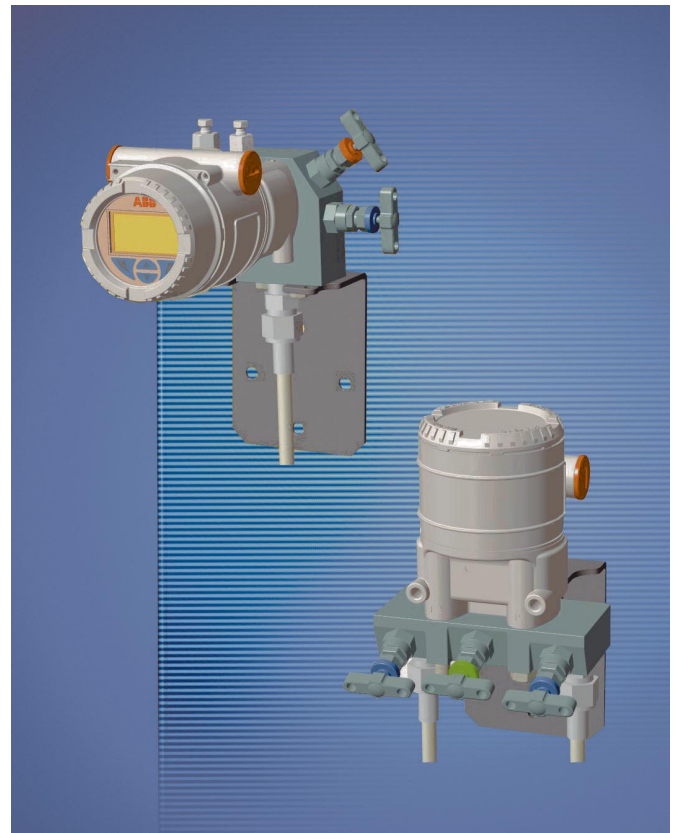


## 2600T Series Pressure Transmitters Accessories

Instrument Valves & Manifolds



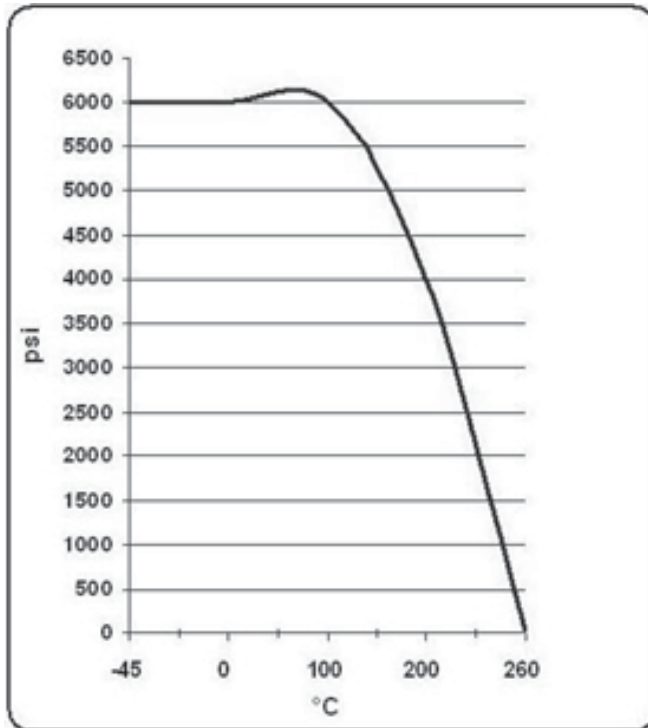
- **ABB and Parker**
  - two world known companies together to give users optimum installation solutions
- **Few versions of manifolds**
  - allow easier product identification and cover all possible 364 applications
- **Special features manifolds**
  - designed especially for ABB most innovative pressure transmitter
- **Three new bracket kits**
  - allow multiple installations and grant full transmitter support



**ABB 2600T Series  
Engineered solutions  
for all applications**

## Functional Specifications

### Manifold pressure rating Vs. process temperature



Note: Please ask for a supplementary check if your application is close to the limits shown in the chart above (260°C and/or 6000 psi).

Note: Please consider as maximum working temperature of transmitter and manifold assembly, the temperature limits of the transmitter.

### Supplied parts:

Manifold are supplied with:  
- PTFE gasket (transmitter side)

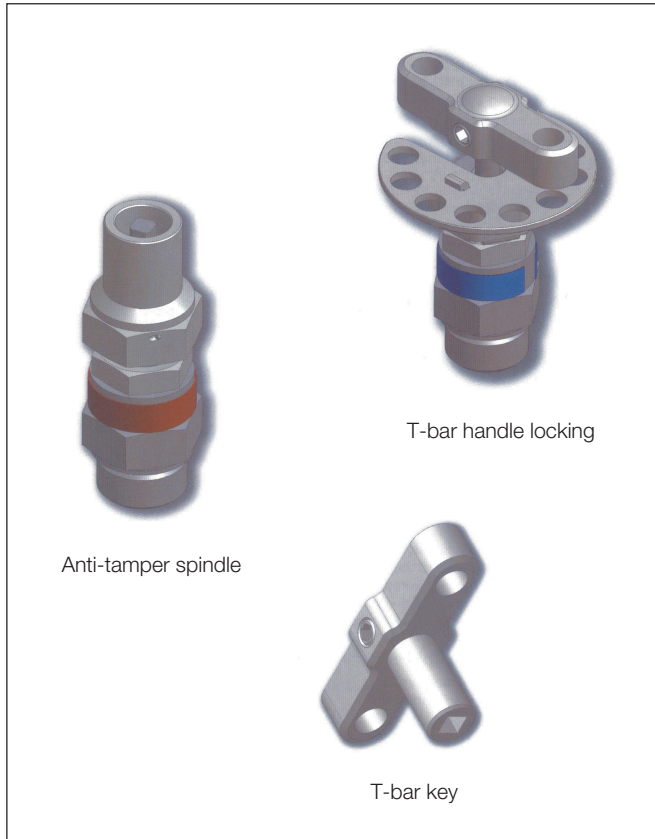
Standard CRN and NACE certifications.

**Stainless Steel bolts and mounting kit available** (please refer to page 15)

**NOTE: WHEN THE MANIFOLD IS ASSEMBLED TO ABB 364 PRESSURE TRANSMITTER WITH NACE COMPLIANT A4-50 STAINLESS STEEL BOLTS AVAILABLE ON REQUEST, PLEASE NOTE THAT THE MAXIMUM WORKING PRESSURE IS LIMITED TO 2900 PSI.**

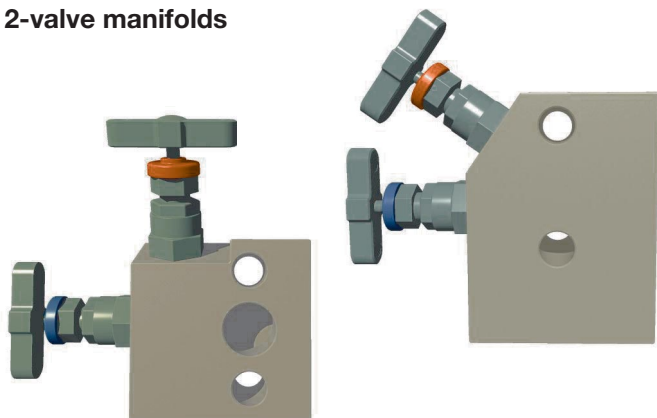
## Optional extras

ABB 364 manifold line ensures high performance thanks to important selectable solutions. Here users can find some of these essential characteristics: from the anti-tamper spindle designed to eliminate process leakages and the easy-to-handle "T-bar", to the handle locking device for preventing vibration effects.



**Manifold special elements (available on request)**

## 2-valve manifolds



HDS2EXTSMTGNC and HDS2HLHNC are two valves manifolds that allow flexible installations. 364 manifold line is designed for being mounted directly to the transmitter, ensuring space-saving solutions. ABB 364 manifolds are made completely in AISI 316 L stainless steel. Standard sealing in PTFE.

These manifolds are characterized by:

- 1/2" - 14NPT female process connection
- Flanged outlet
- 1/4" - 18NPT female drain/bleed

**Maximum working pressure**

414bar (6000psi)

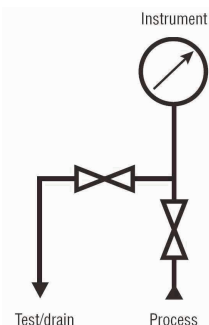
**Maximum temperature**

260°C (500°F)

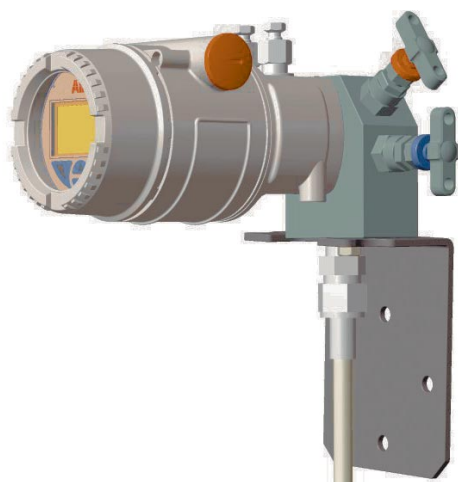
**Net weight**

HDS2HLHNC = 0.9kg

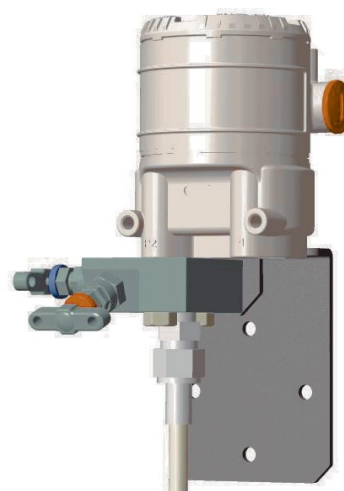
HDS2EXTSMTGNC = 1.5kg



## Installation example



2 valve manifold mod. HDS2EXTSMTGNC  
with DR0317 bracket kit



2 valve manifold mod. HDS2HLHNC  
with DR0318 bracket kit

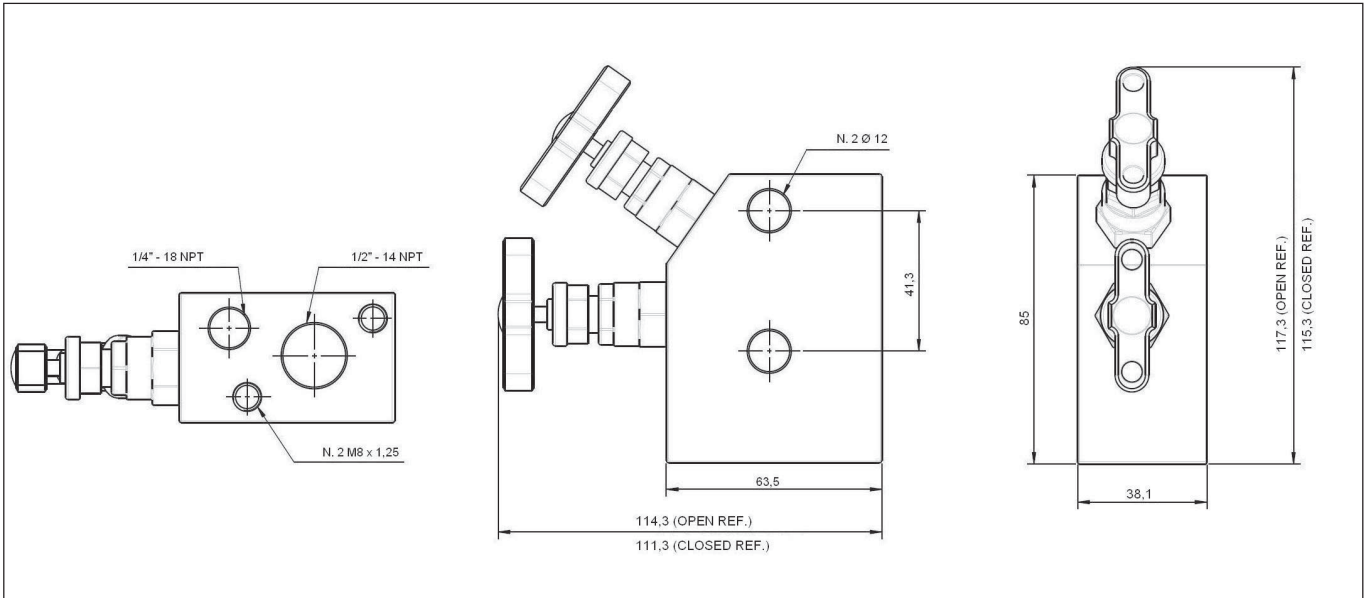
**MODEL CODES**

HDS2EXTSMTGNC	90° process connection manifold, basic version with PTFE gasket
HDS2EXTSMTG3NC	Version with graphoil packing
HDS2EXTSMTGNCHCT	Version with heat code trace certificate
HDS2EXTSMTG3NCHCT	Version with graphoil packing and heat code trace certificate
HDS2HLHNC	180° process connection manifold, basic version with PTFE gasket
HDS2HLH3NC	Version with graphoil packing
HDS2HLHNCHCT	Version with heat code trace certificate
HDS2HLH3NCHCT	Version with graphoil packing and heat code trace certificate

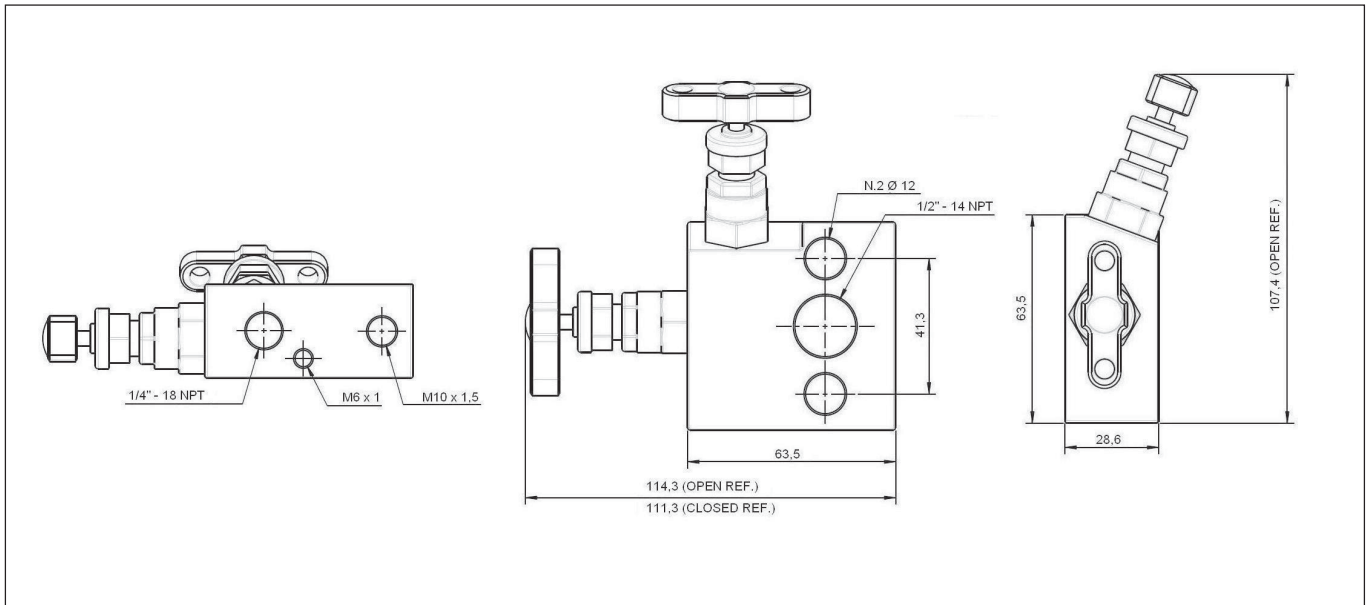
**OPTIONS**

DR0317	Bracket kit for pipe mounting, for manifold mod. HDS2EXTSMTGNC
DR0321	Stainless steel bolts (N° 2) for manifold mod. HDS2EXTSMTGNC transmitter fixing
DR0318	Bracket kit for pipe mounting, for manifold mod. HDS2HLHNC
DR0320	Stainless steel bolts (N° 2) for manifold mod. HDS2HLHNC transmitter fixing

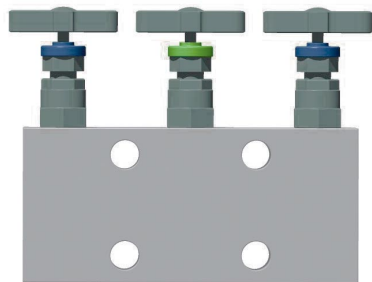
**Model HDS2EXTSMTGNC - AISI 316 L two-valve manifold with 90° process connection - NACE compliance (STD)**



**Model HDS2HLHNC - AISI 316 L two-valve manifold with 180° process connection - NACE compliance (STD)**



**3-valve manifolds**



HDS3BENC and HDS3NC are 3-valve manifolds characterized by a compact and simple design that makes them a line of manifolds particularly suited for ABB 364 pressure transmitters.

Manifolds are supplied with instrument carbon steel mounting bolts (bracket kit available on request). ABB 364 manifolds are made completely in AISI 316 L stainless steel.

Standard sealing in PTFE.

These manifolds are characterized by:

- 1/2" - 14NPT female process connection
- Flanged outlet

**Maximum working pressure**

414bar (6000psi)

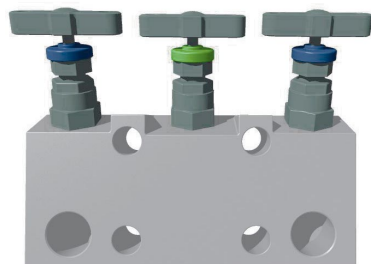
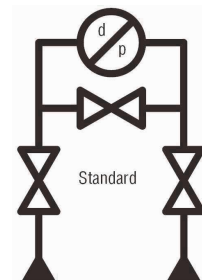
**Maximum temperature**

260°C (500°F)

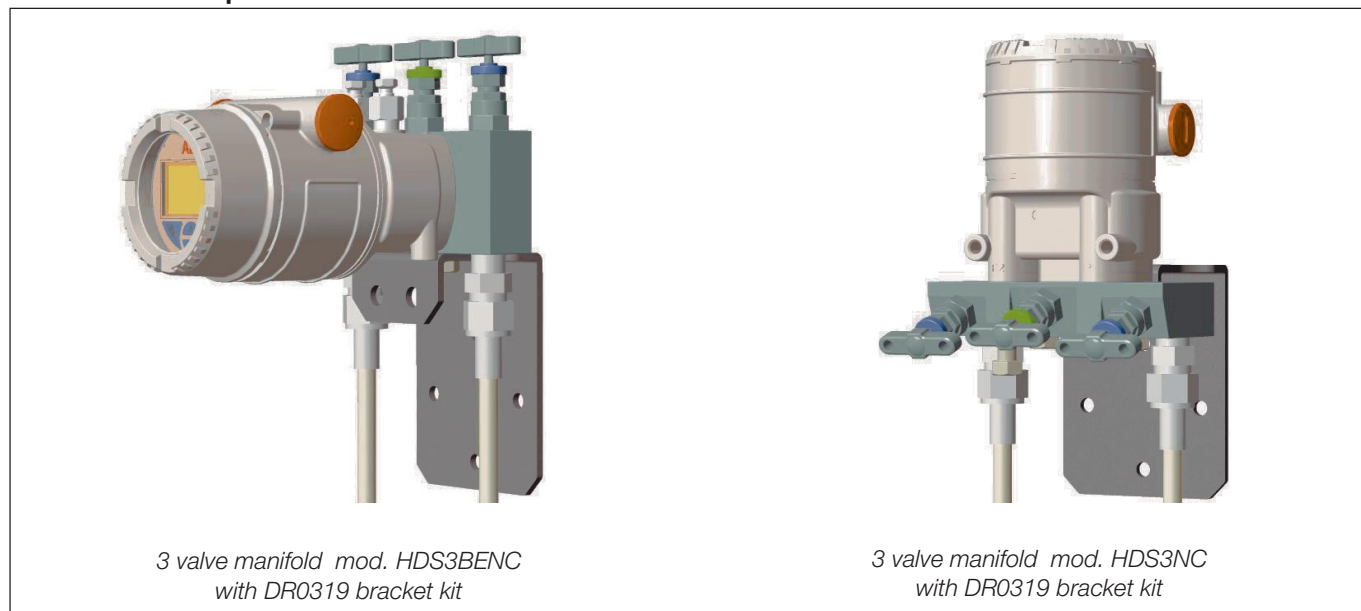
**Net weight**

HDS3BENC = 1.95kg

HDS3NC = 1.85kg



**Installation example**

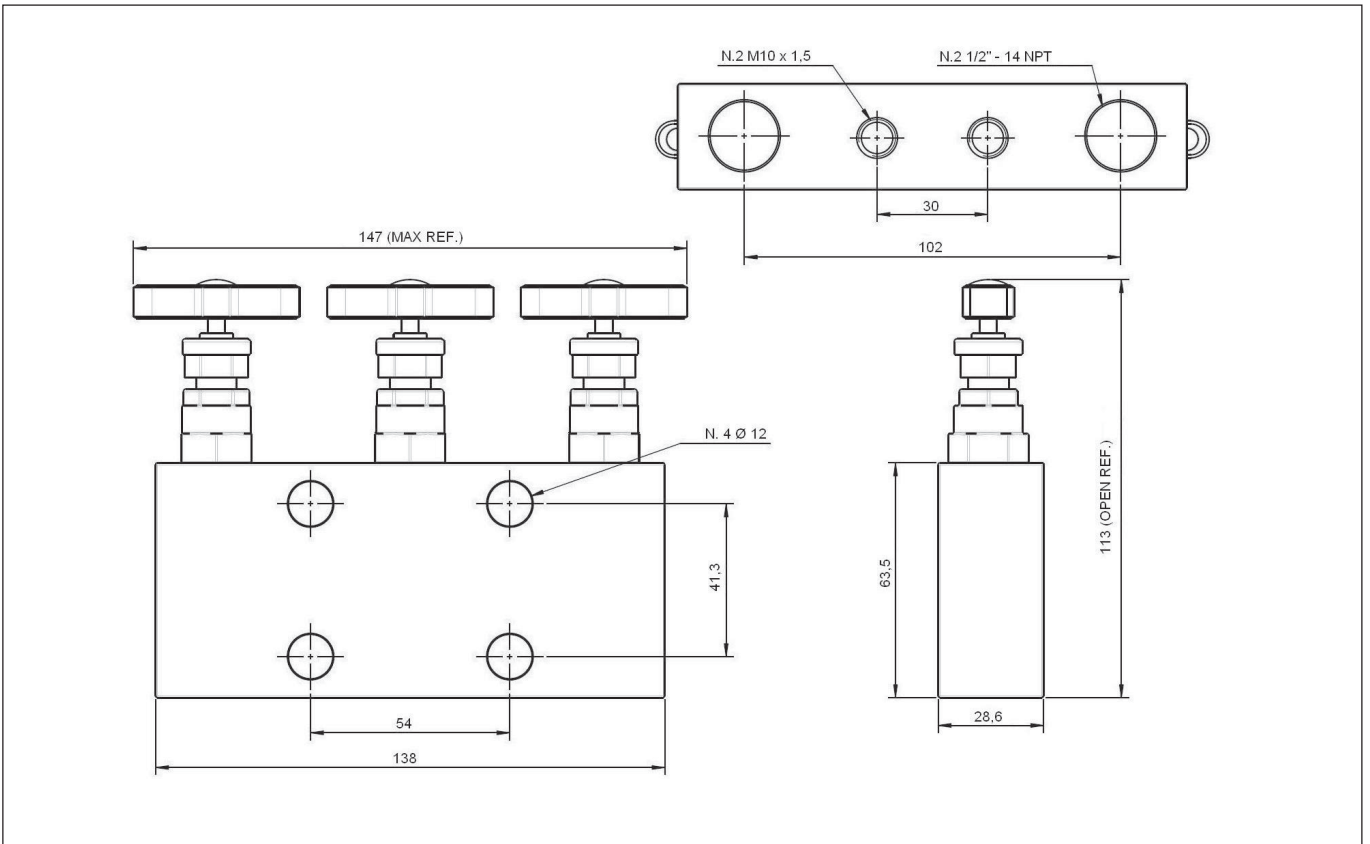


*3 valve manifold mod. HDS3BENC with DR0319 bracket kit*

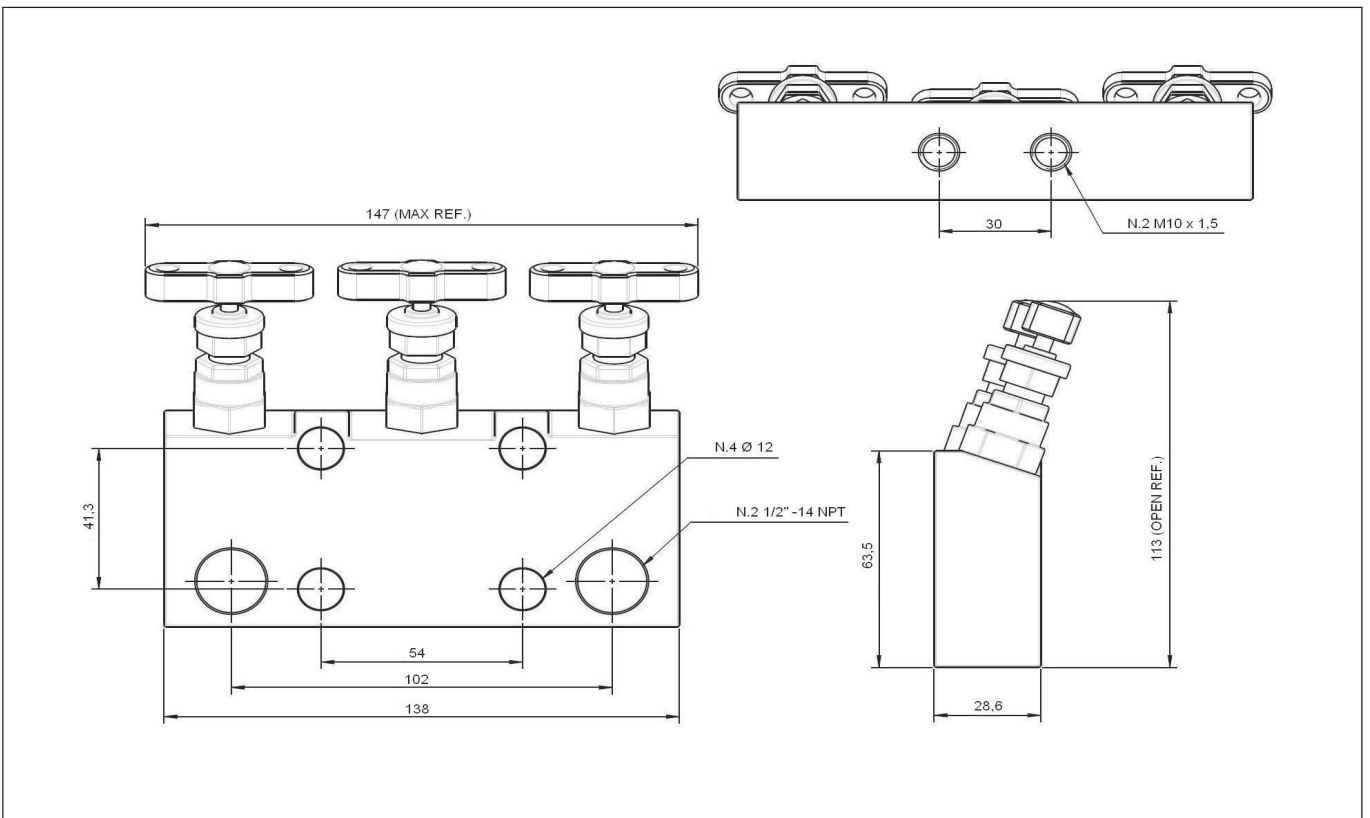
*3 valve manifold mod. HDS3NC with DR0319 bracket kit*

<b>MODEL CODES</b>	
HDS3BENC	90° process connection manifold, basic version with PTFE gasket
HDS3BE3NC	Version with graphoil packing
HDS3BENCHCT	Version with heat code trace certificate
HDS3BE3NCHCT	Version with graphoil packing and heat code trace certificate
HDS3NC	180° process connection manifold, basic version with PTFE gasket
HDS33NC	Version with graphoil packing
HDS3NCHCT	Version with heat code trace certificate
HDS33NCHCT	Version with graphoil packing and heat code trace certificate
<b>OPTIONS</b>	
DR0319	Bracket kit for pipe mounting, for manifold modd. HDS3BENC and HDS3NC
DR0322	Stainless steel bolts (N° 4) for manifold modd. HDS3BENC and HDS3NC transmitter fixing

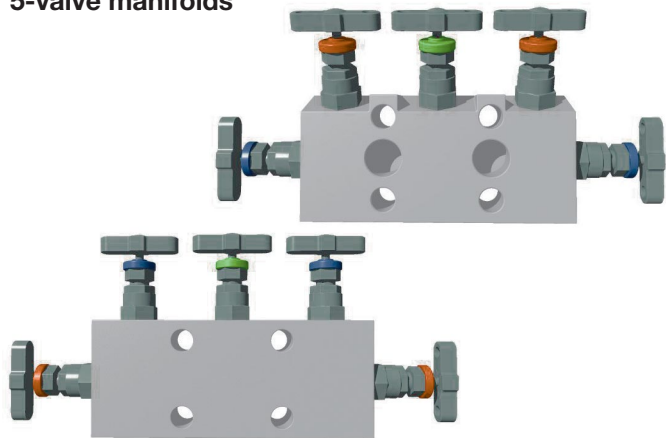
**Model HDS3BENC - AISI 316 L three-valve manifold with 90° process connection - NACE compliance (STD)**



**Model HDS3NC - AISI 316 L three-valve manifold with 180° process connection - NACE compliance (STD)**



**5-valve manifolds**



Models HDS5BENC and HDS5MNC have the peculiarity to group in one block the interception and drainage functions working in connection with differential pressure transmitters, allowing easier transmitter zero set and process chambers drainage.

The connection to the process is threaded 1/2"-14NPT female.

These manifolds are made completely in AISI 316 L stainless steel.

Standard sealing in PTFE.

These manifolds are characterized by:

- 1/2" - 14NPT female process connection
- Flanged outlet
- 1/4" -18NPT female drain/bleed

**Maximum working pressure**

414bar (6000psi)

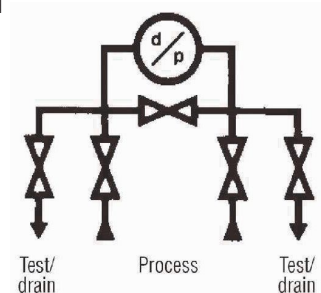
**Maximum temperature**

260°C (500°F)

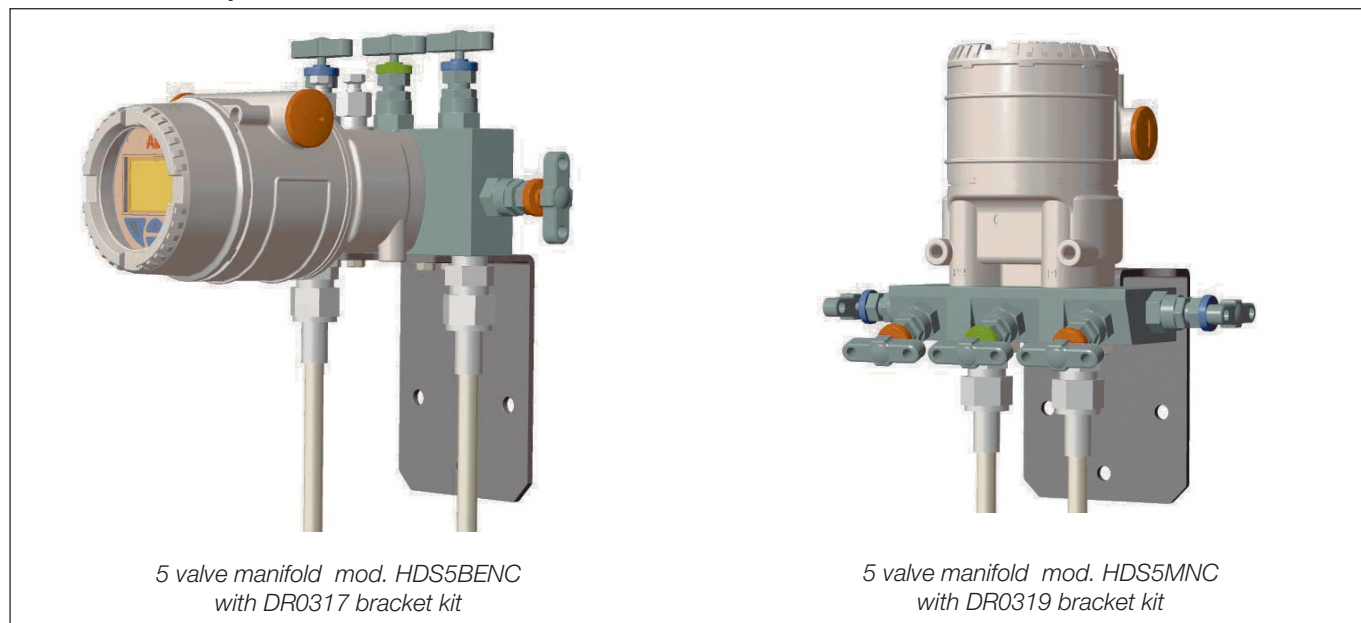
**Net weight**

HDS5BENC = 2.3kg

HDS5MNC = 2.0kg



**Installation example**



5 valve manifold mod. HDS5BENC with DR0317 bracket kit

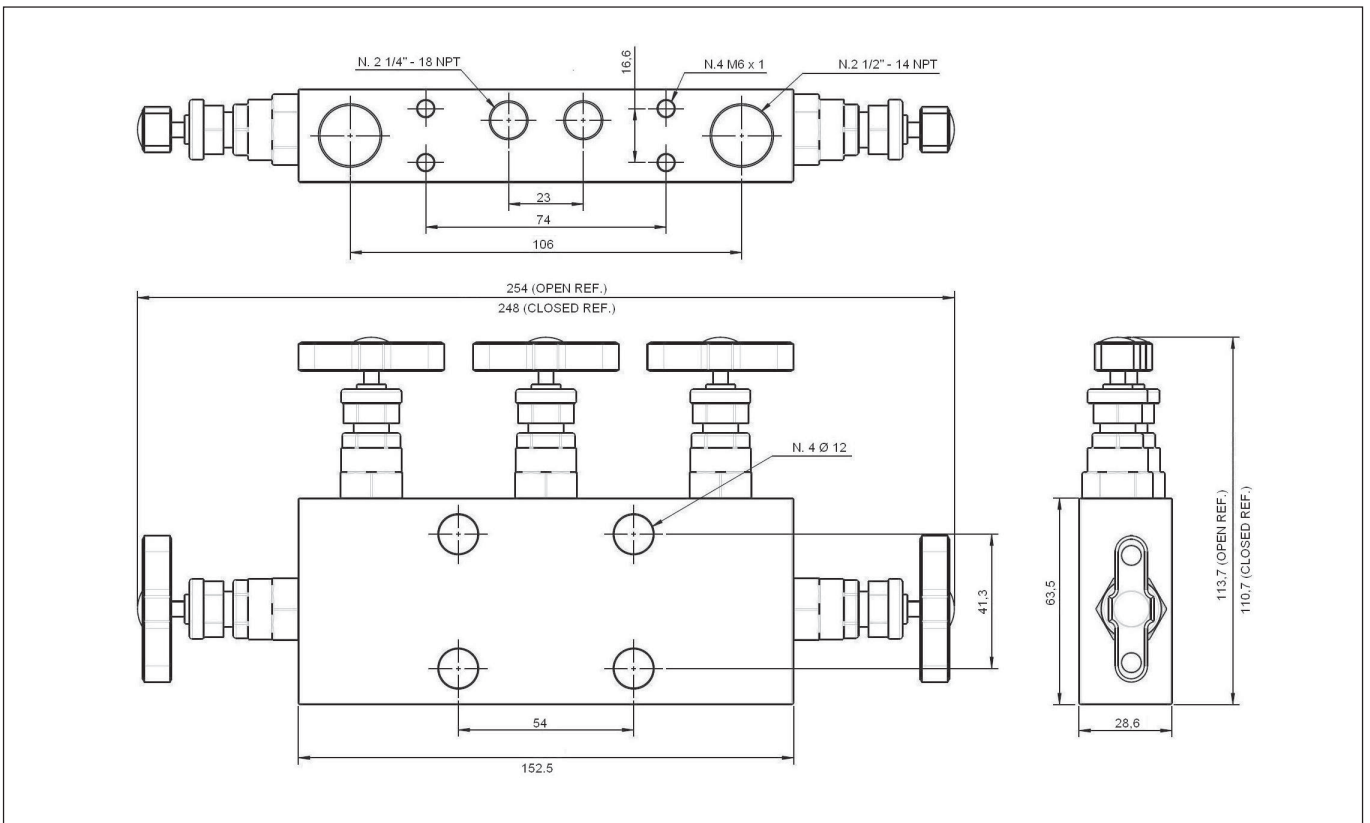
5 valve manifold mod. HDS5MNC with DR0319 bracket kit

<b>MODEL CODES</b>	
HDS5BENC	90° process connection manifold, basic version with PTFE gasket
HDS5BE3NC	Version with graphoil packing
HDS5BENCHCT	Version with heat code trace certificate
HDS5BE3NCHCT	Version with graphoil packing and heat code trace certificate
HDS5MNC	180° process connection manifold, basic version with PTFE gasket
HDS5M3NC	Version with graphoil packing
HDS5MNCHCT	Version with heat code trace certificate
HDS5M3NCHCT	Version with graphoil packing and heat code trace certificate

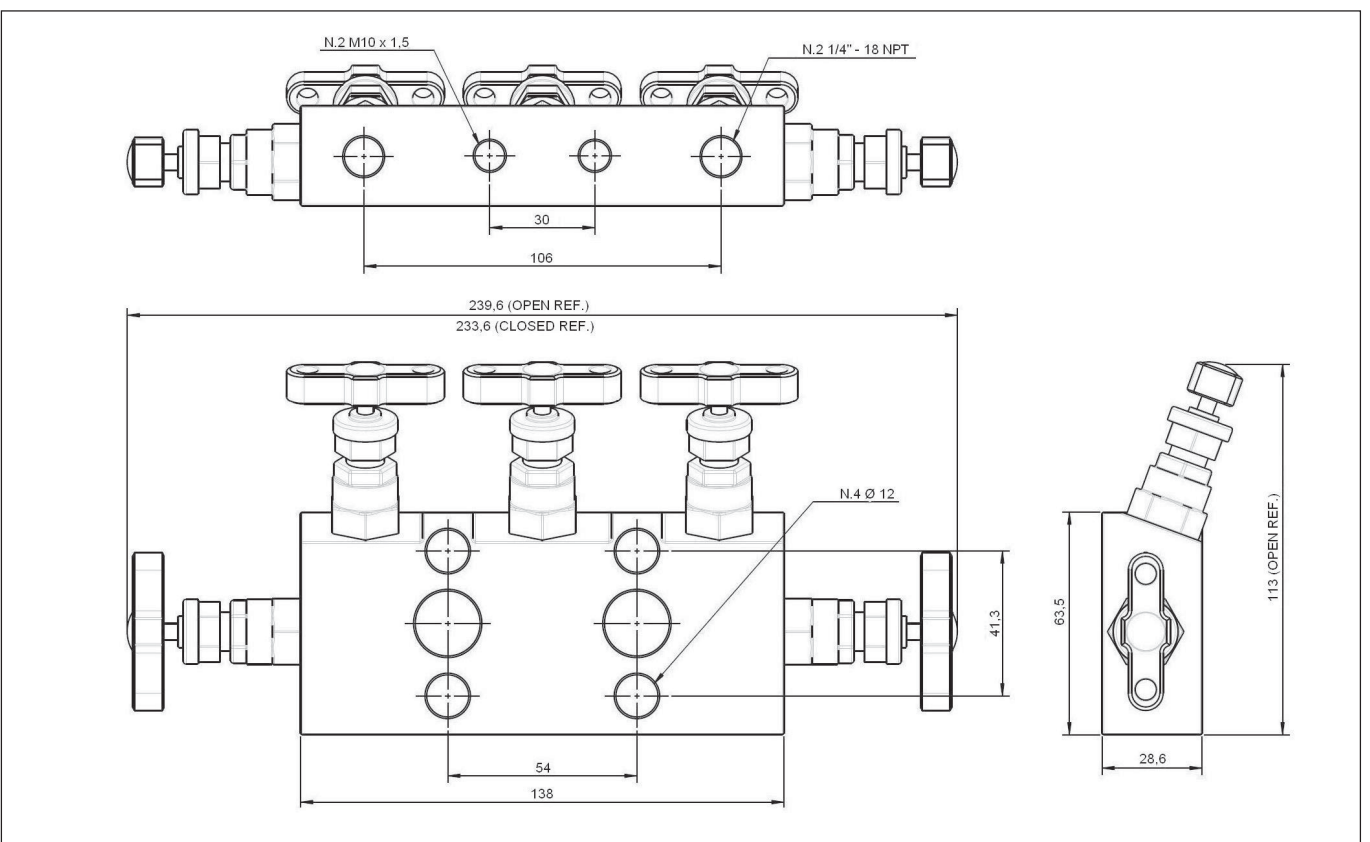
<b>OPTIONS</b>	
DR0317	Bracket kit for pipe mounting, for manifold mod. HDS5BENC
DR0322	Stainless steel bolts (N° 4) for manifold mod. HDS5BENC and HDS5MNC transmitter fixing
DR0319	Bracket kit for pipe mounting, for manifold mod. HDS5MNC



**Model HDS5BENC - AISI 316 L five-valve manifold with 90° process connection - NACE compliance (STD)**

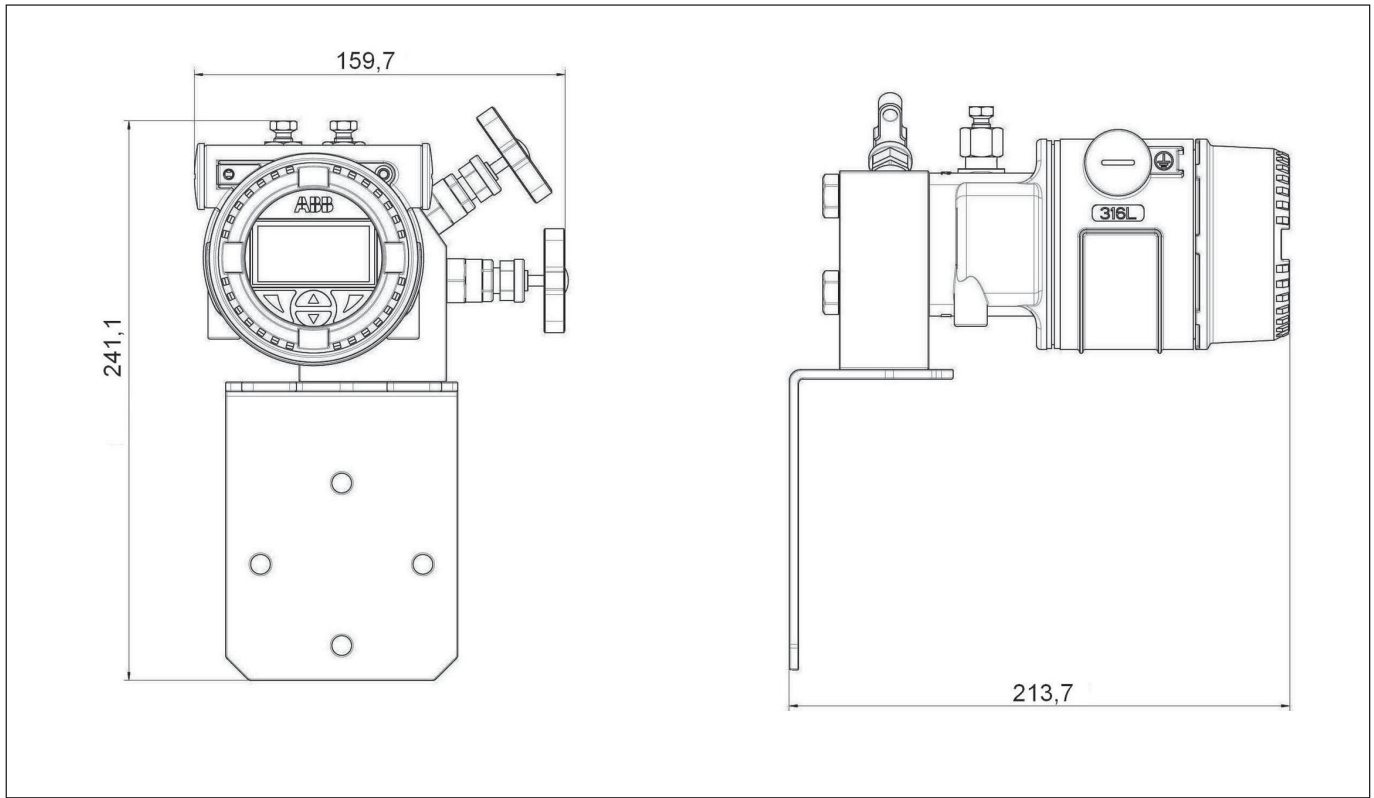


**Model HDS5MNC - AISI 316 L five-valve manifold with 180° process connection - NACE compliance (STD)**

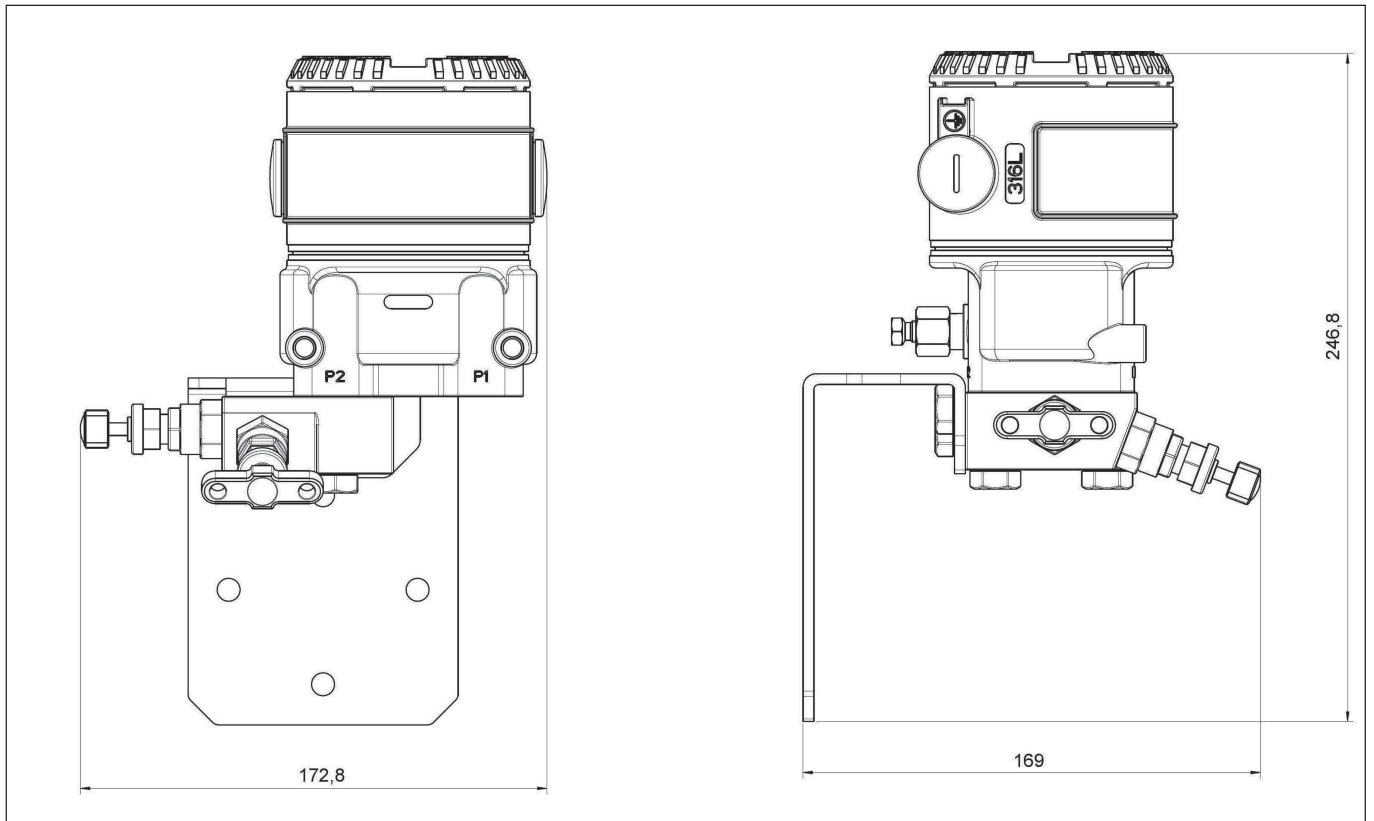


### MOUNTING DIMENSIONS - dimensions in mm

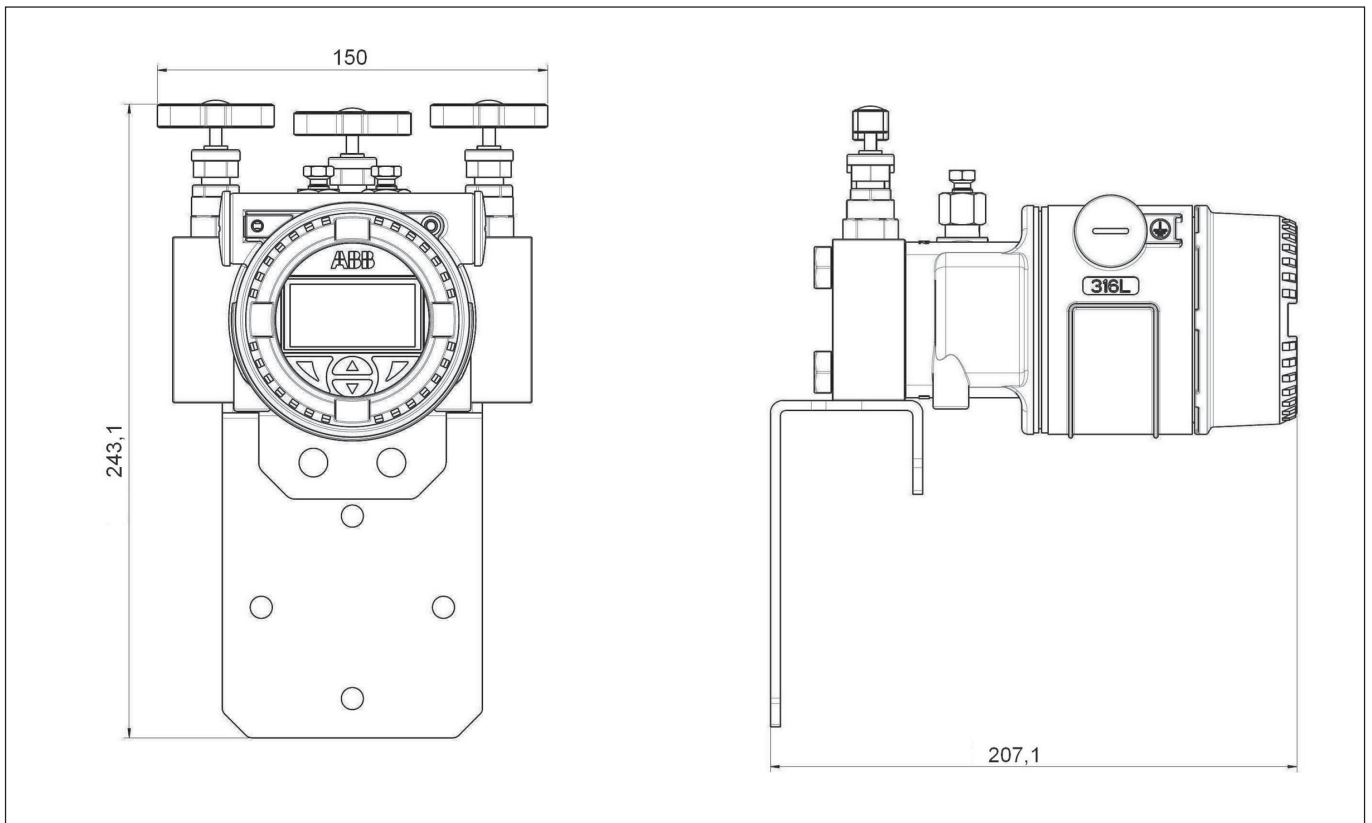
Transmitter with manifold mod. HDS2EXTSMTGNC and DR0317 bracket



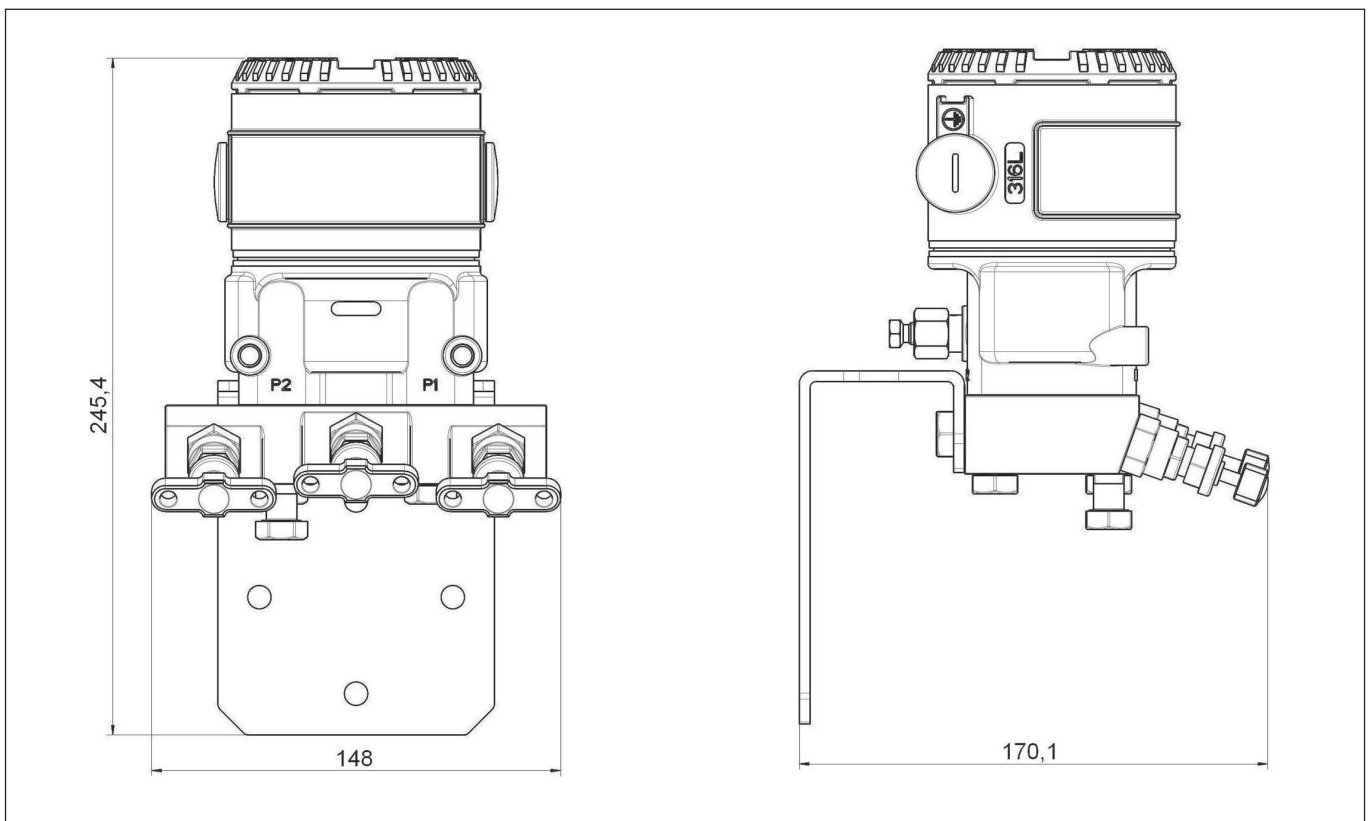
Transmitter with manifold mod. HDS2HLHNC and DR0318 bracket



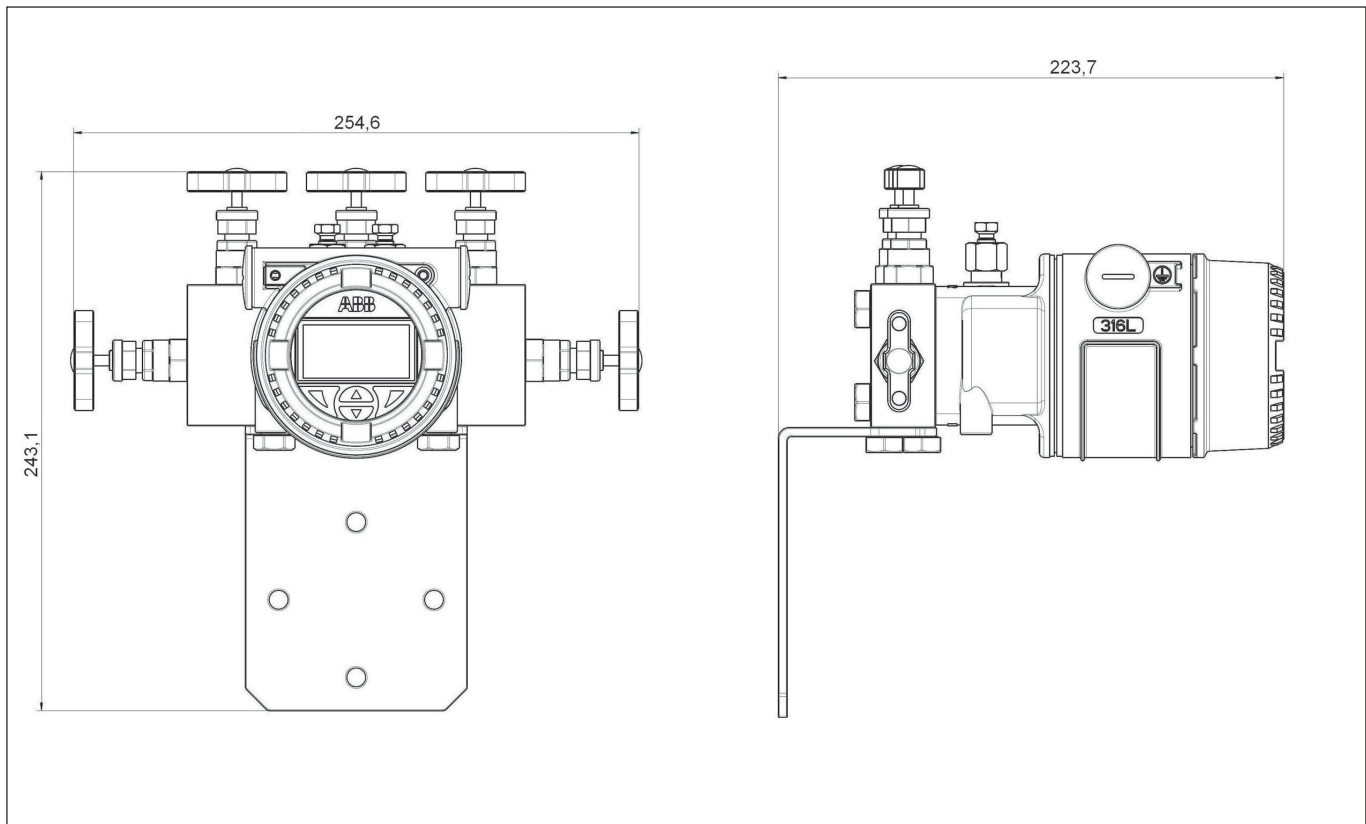
Transmitter with manifold mod. HDS3BENC and DR0319 bracket



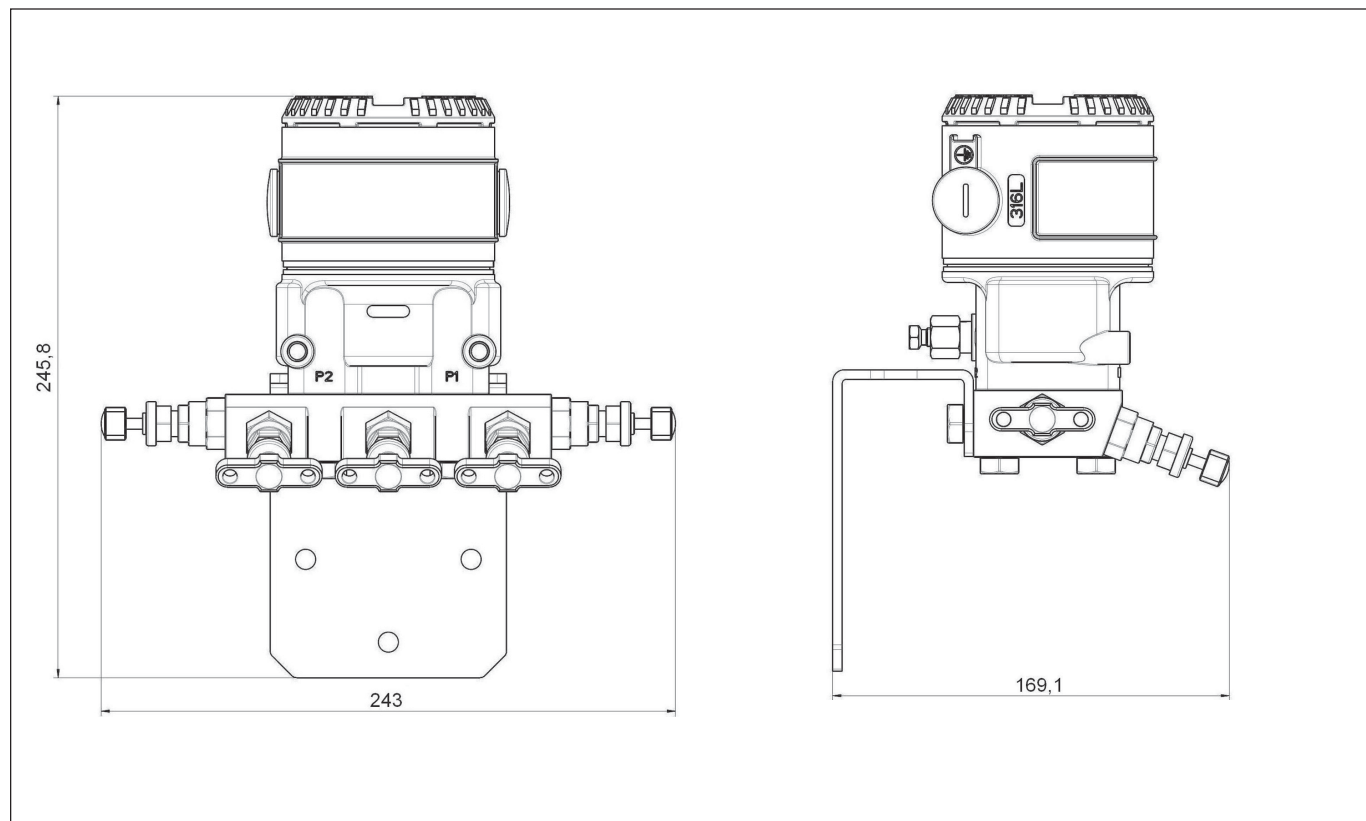
Transmitter with manifold mod. HDS3NC and DR0319 bracket



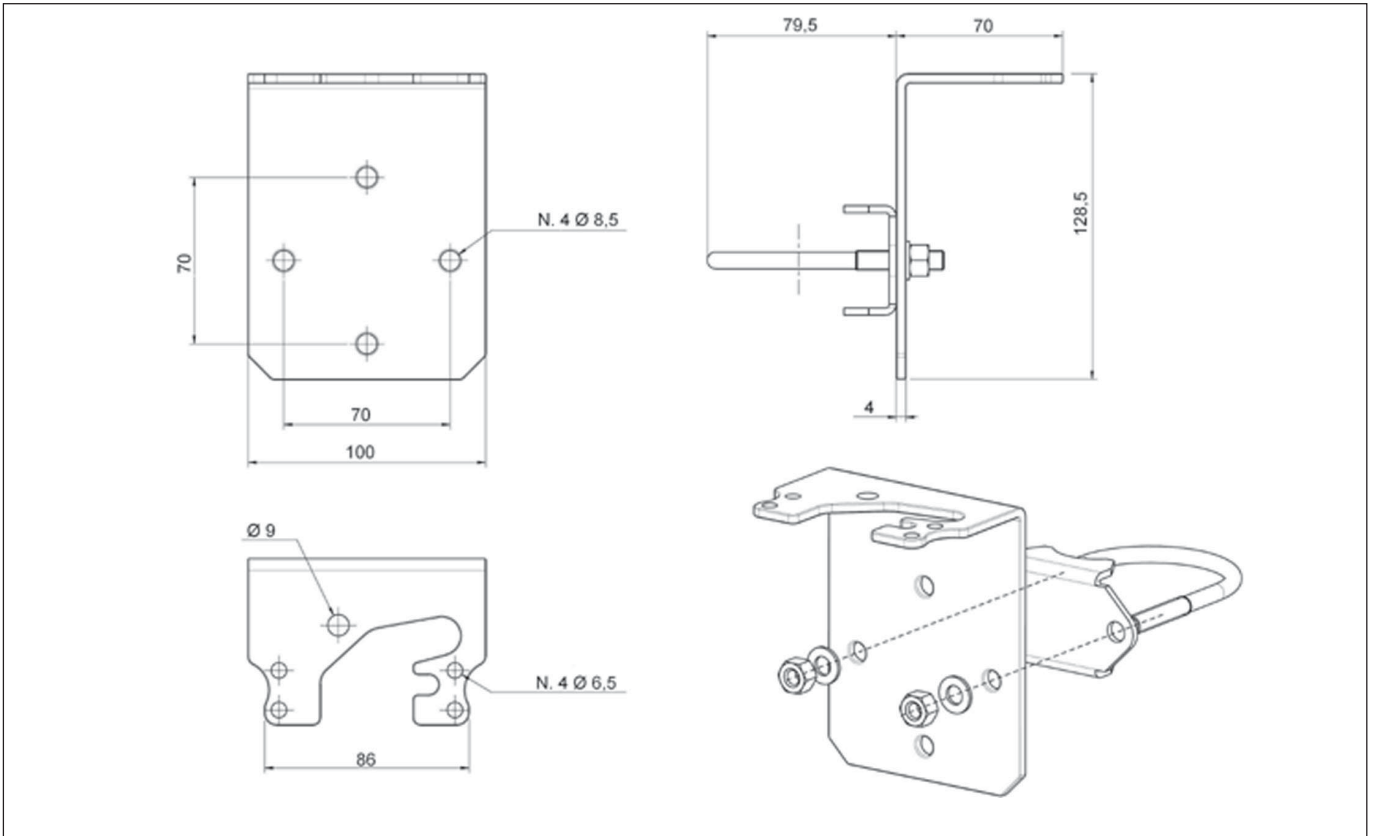
**Transmitter with manifold mod. HDS5BENC and DR0317 bracket**



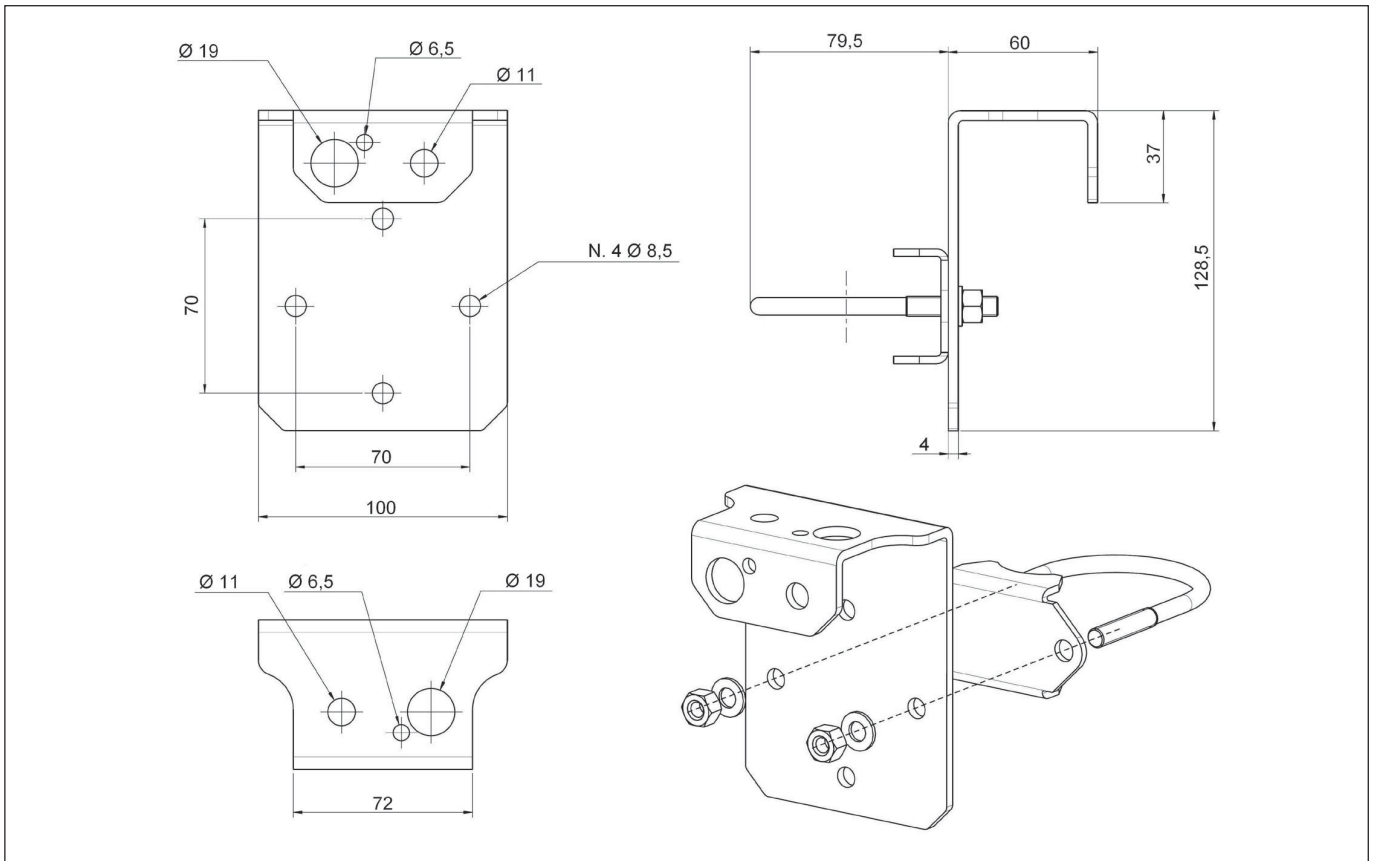
**Transmitter with manifold mod. HDS5MNC and DR0319 bracket**



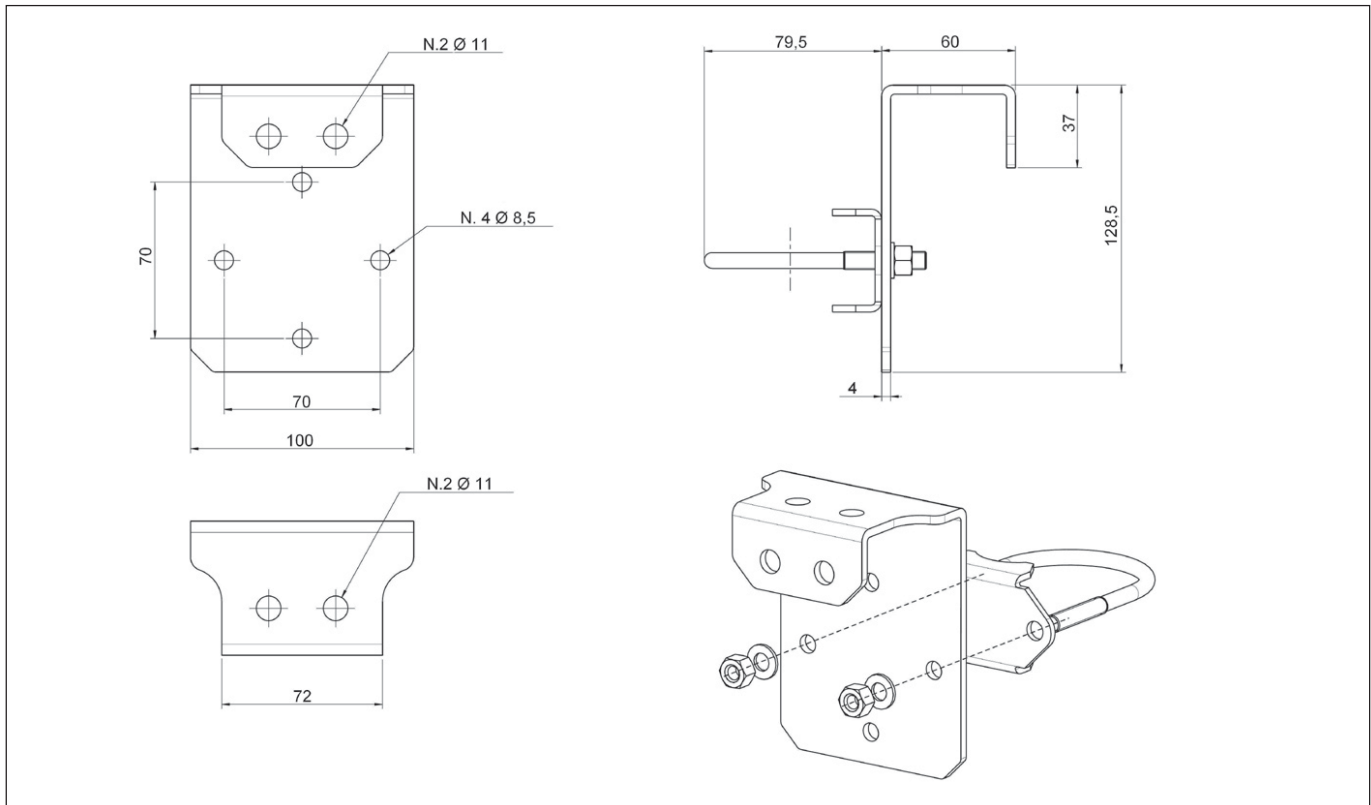
**DR0317 bracket dimensions (Bracket kit includes U-Bolt, fitting plate, washers, nuts and bolts)**



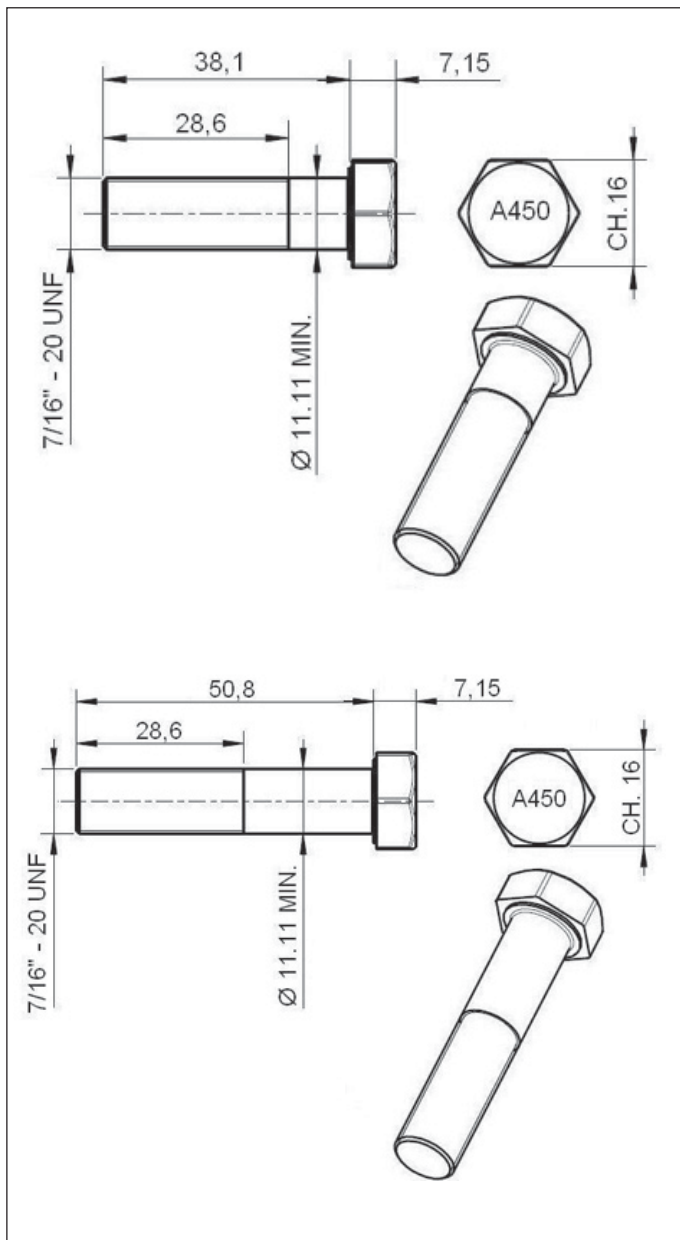
**DR0318 bracket dimensions (Bracket kit includes U-Bolt, fitting plate, washers, nuts and bolts)**



**DR0319 bracket dimensions (Bracket kit includes U-Bolt, fitting plate, washers, nuts and bolts)**



## Bolts kit for transmitter fixing



## Kits of stainless steel A450 bolts.

**DR0320**

Kit of n. 2 stainless steel A4-50 bolts for installation of manifold mod. HDS2HLHNC onto the transmitter (NACE compliance). See dimensions on the left.

**DR0322**

Kit of n. 4 stainless steel A4-50 bolts for installation of three and five-valve manifold onto the transmitter (NACE compliance). See dimensions on the left.

**DR0321**

Kit of n. 2 stainless steel A4-50 bolts for installation of manifold mod. HDS2EXTSMTGNC onto the transmitter (NACE compliance). See dimensions on the left.

## Spare parts available

DR0033 Kit of 2 spare PTFE gaskets

## 2600T Pressure Transmitters Accessories

SS/Manifold

---

ABB has Sales & Customer Support  
expertise in over 100 countries worldwide

[www.abb.com/instrumentation](http://www.abb.com/instrumentation)

The Company's policy is one of continuous product  
improvement and the right is reserved to modify the  
information contained herein without notice.

Printed in Italy (09.2008)

© ABB 2008



### ABB Ltd

Howard Road, St. Neots  
Cambridgeshire, PE19 8EU  
UK  
Tel: +44(0)1480 475321  
Fax: +44(0)1480 217948

### ABB Inc.

125 E. County Line Road  
Warminster, PA 18974  
USA  
Tel: +1 215 674 6000  
Fax: +1 215 674 7183

### ABB SACE

A division of ABB S.p.A.  
Via Statale 113  
22016 Lenno (CO) Italy  
Tel: +39 0344 58111  
Fax: +39 0344 56278