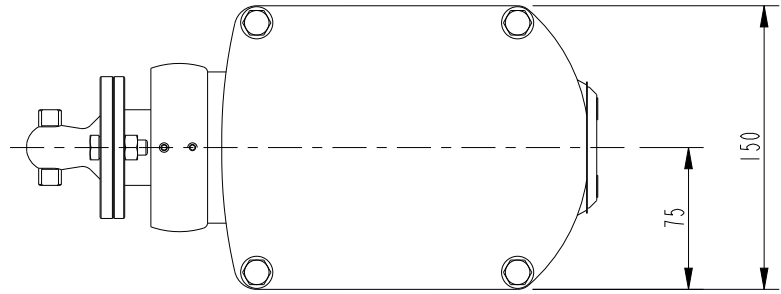
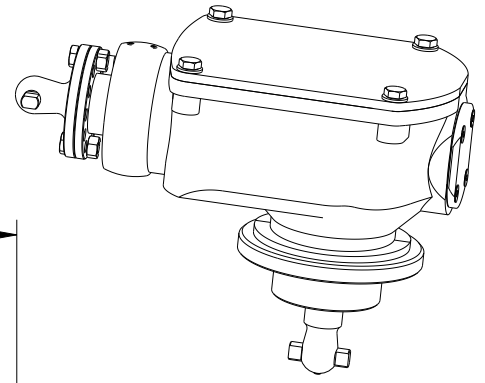
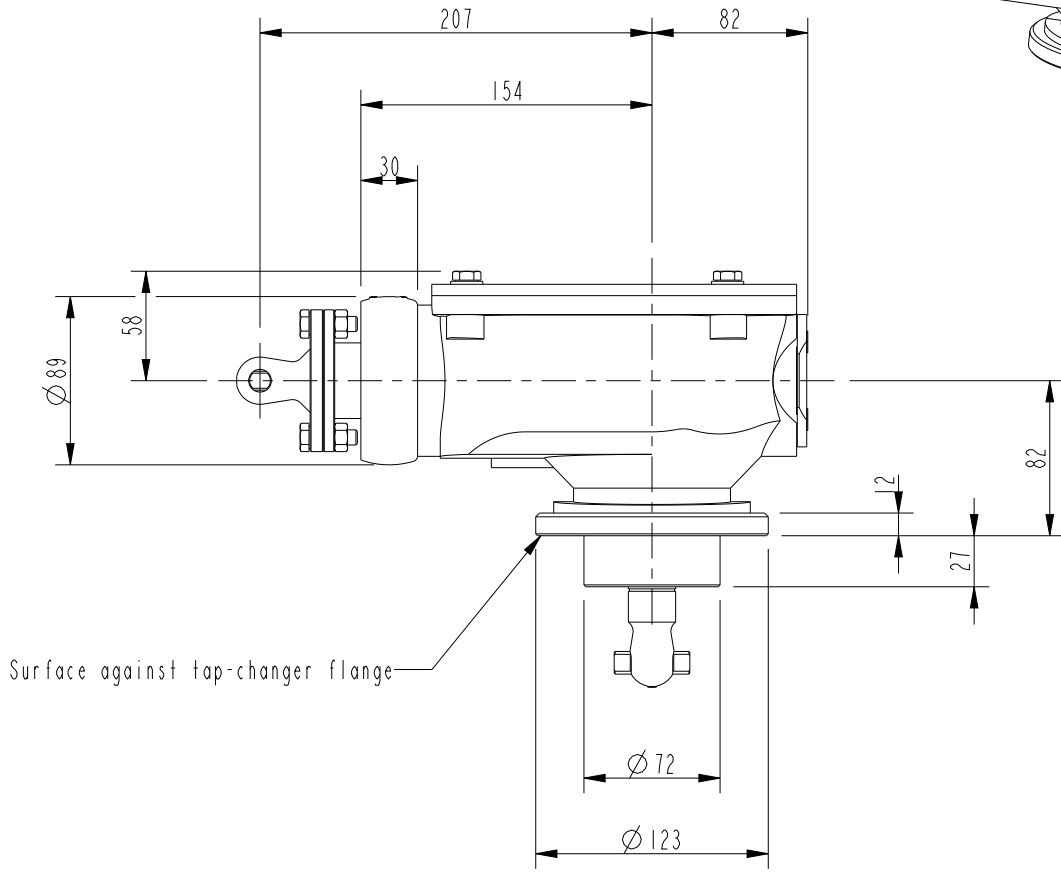


This document is issued by means of a computerized system. The digitally stored original is electronically approved. The approved document has a date entered in the "Approved"-field. A manual signature is not required.



We reserve all rights in this document and in the information contained therein. Reproduction, use or disclosure to third parties without express authority is strictly forbidden.

Approved 2017-05-03	Document Kind Outline Drawing	Based on doc. id	Work order id	Project id
Company ABB Technology Ltd	Title, Supplementary title BEVEL GEAR UNIT			
Responsible Department SEABB-9AAE300824	VÄXEL			
ABB	Document id IZSC004021-AAD	Status Released	Revision A	Iteration Iteration
				Sheet 1/1