

OVR PV T2 40-1500 P

Surge Protective Devices



Type 2 SPDs for photovoltaic applications are capable of discharging the lightning currents within an electrical system resulting from indirect lightning events. They have effective voltage protection ratings keeping damaging voltage peaks from exceeding the withstand voltages of the protected equipment.

Application

They are typically installed inside the string/combiner boxes or inside the PV Inverter. Additional PV SPDs may be required for an optimal protection if cable lengths between SPDs are greater than 32 ft.

Technical specifications and standards



Type 2 / UL Type 1 C.A



Imax : 40 kA



Up < 5 kV



IEC 61643-31
UL 1449 5th ed

Key features	
Protection mode	DC+ to DC- / DC+ to G / DC- to G
Number of protected lines	2
End of life indicator	Green = functional / Red = replace
Technology	Thermally protected varistor

Electrical performances			
Maximal discharge current	Imax (8/20μs)	40	kA
Nominal discharge current	In (8/20μs)	15	kA
Maximal continuous operating voltage	UCPV	1500	VDC
Intended power system application (UL)	VPVDC	1500	VDC
Voltage protection level	Up (DC+ to DC- / DC+ to G / DC- to G)	5	kV
Voltage protection rating (UL)	VPR	4	kV
Surge circuit current rating	Iscpv	10	kA
Surge circuit current rating (UL)	SCCR	10	kAIC
Back up protection		Not needed up to Iscpv	
Leakage current	Icpv, Ipe	Check Installation Leaflet	
Response time		< 25	ns

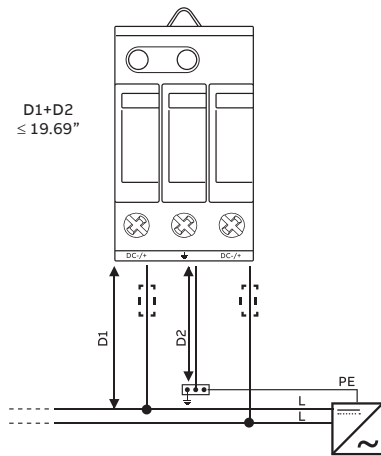
Mechanical features

Dimensions	L x W x D	3.54 x 2.12 x 2.87	in
Max. Solid/ Stranded wire (max)		4 - 2	AWG
Stripping length		0.47	in
Tightening torque		35.4	lbs
Maximal altitude		6561	ft
Operating temperature		-40 to +176	F
Relative humidity		95 (non condensing)	%HR
Degree of protection		IP 20	
Enclosure material rating and color		UL 94 V-0 / Grey RAL 7035	
Weight		.72	lbs

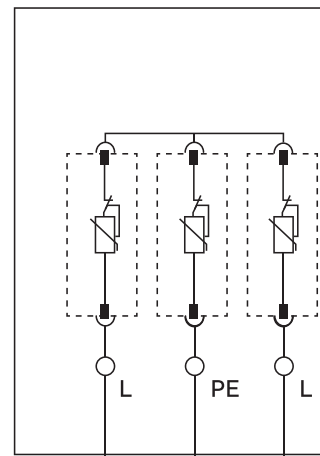
Replacement cartridge

Product ID / Model no	OVR PV T2 40-1500 C	2CTB802400R1500
-----------------------	---------------------	-----------------

Installation wiring



Internal diagram



Physical dimensions

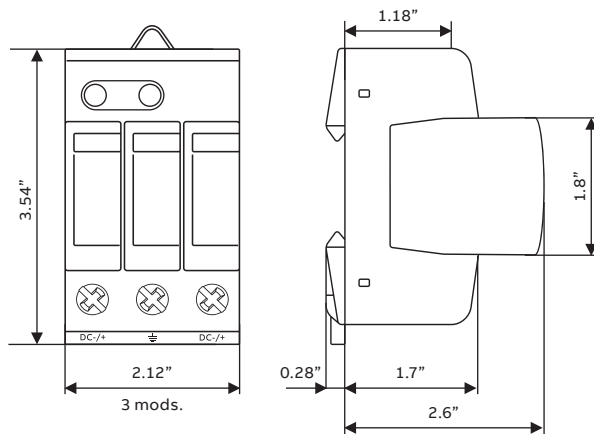


ABB Inc.
305 Gregson Drive,
Cary, NC 27511
United States

electrification.us.abb.com

We reserve the right to make technical changes or modify the contents of this document without prior notice. With regard to purchase orders, the agreed particulars shall prevail. ABB Inc. does not accept any responsibility whatsoever for potential errors or possible lack of information in this document.

We reserve all rights in this document and in the subject matter and illustrations contained therein. Any reproduction, disclosure to third parties or utilization of its contents – in whole or in parts – is forbidden without prior written consent of ABB Inc. © 2022 ABB
All rights reserved