

1

2

3

4

5

6

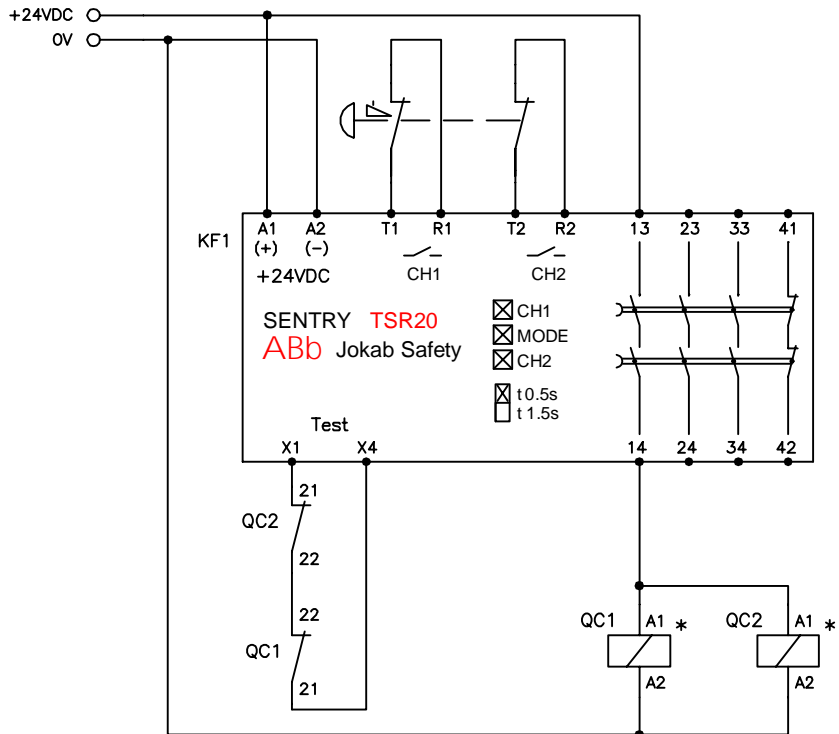
7

8

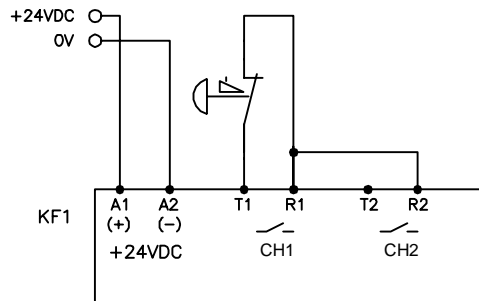
9

10

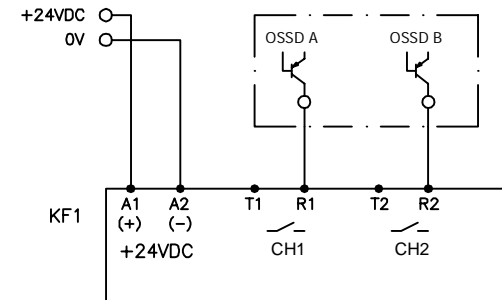
A) Two signals from T1/T2



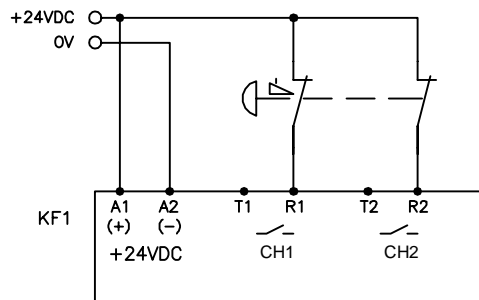
B) One signal from T1



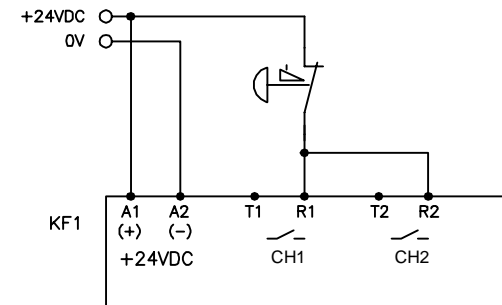
C) Two OSSD-signals



D) Two signals from +24 VDC



E) One signal from +24 VDC



Anmärkning Remark

CONNECTION EXAMPLE TSR20

**ABB** Jokab Safety

Konstr Design	Godk Appr	Datum Date	Blad Sheet
ABB		20160831	
Ritad Drawn	Sidor Pages	Ritn nr Drawing no	Forts Cont
ABB		2TLC010014T0001	