
 TECHNICAL DATA SHEET

Dust-ignition proof enclosures series

Stainless steel enclosure with aluminum gland plates

T&B EX™


01



02

 01 Screw series
 02 Clamp series

Features & Benefits:

- 2 cover styles screw or clamped
- 9 standard sizes available
- Wall mounting feet
- Stainless steel hardware
- Four #10-32 weld nuts for optional back panel (back panel sold separately)
- Grounding studs on inside of box and cover
- Gland plates for drilled and tapped entries (specify sides A,B,C,D)

Options:

- Back panels – available in stainless steel or painted steel
- Aluminum gland plates sides ABCD
- Conduit drilling & tapping from ½” NPT to 3” NPT
- Custom sizes

Applications:

- As a custom control panel, junction, or pull box
- To provide enclosures for splices and branch circuit taps
- For housing terminal blocks
- Use indoors or outdoors in dusty, damp, wet, corrosive and Class II hazardous locations
- Used to prevent dust ingress in environments such as agricultural, mining and other operations where dust hazards exist

Dust-Ignition proof enclosures provide the necessary protection from dust infiltration to comply with NEC® codes.

Certifications / Standards:


- Where exposure to dust is common, such as: petrochemical, coal preparation and handling facilities, food processing, and chemical installations

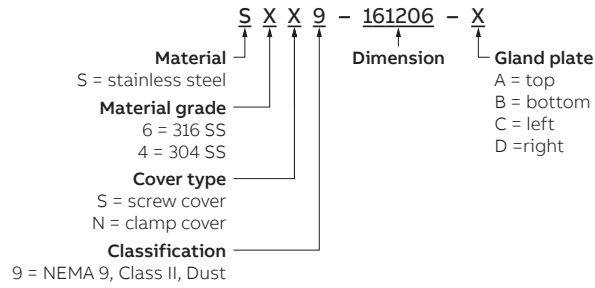
Construction / Materials / Finishes:

- Enclosure - 14 gauge Type 316L stainless steel
- Cover Bolts – Type 316L stainless steel
- Gland Plates -3/8” thick type 5052 H-32 Aluminum
- Gasket - Silicone rubber
- Hardware – Stainless steel
- Back plate – Painted or stainless steel

Conforms to:

- Class II, Divisions 1 and 2, Groups E, F, G
- Class III
- NEMA Type 4X, 9
- UL 1203
- UL 50
- CSA C22.2 No. 25

Part number selection:

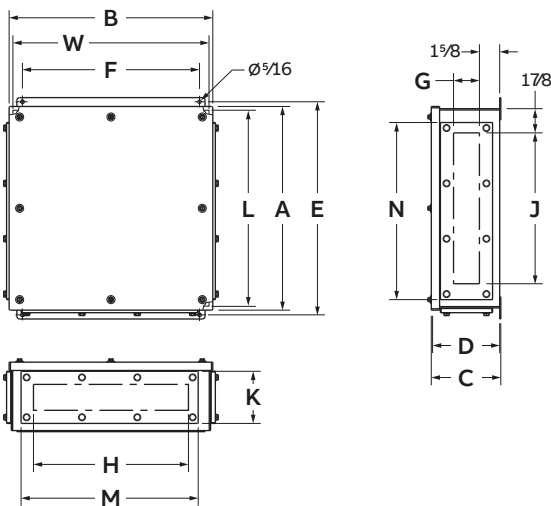


Product selections & dimensions

Part no:	Inside nom. (in)			Overall (in)			Mounting feet (in)		Gland plate opening (in)			Gland plate area (in)		
	L	W	D	A	B	C	E	F	G	H	J	K	M	N
SXX9-161206-X	16	12	6	16½	12½	6¼	17½	10	2½	10⅞	11⅝	4⅝	11⅞	14⅞
SXX9-161608-X	16	16	8	16½	16½	8¼	17½	14	4½	14⅞	11⅝	6⅝	15⅞	14⅞
SXX9-201608-X	20	16	8	20½	16½	8¼	21½	14	4½	14⅞	15⅝	6⅝	15⅞	18⅞
SXX9-202008-X	20	20	8	20½	20½	8¼	21½	18	4½	18⅞	15⅝	6⅝	19⅞	18⅞
SXX9-241608-X	24	16	8	24½	16½	8¼	25½	14	4½	14⅞	19⅝	6⅝	15⅞	12⅞
SXX9-242410-X	24	24	10	24½	24½	10¼	25½	22	6½	22⅞	19⅝	8⅝	23⅞	22⅞
SXX9-302410-X	30	24	10	30½	24½	10¼	31½	22	6½	22⅞	25⅝	8⅝	23⅞	28⅞
SXX9-362410-X	36	24	10	36½	24½	10¼	37½	22	6½	22⅞	31⅝	8⅝	23⅞	34⅞
SXX9-363010-X	36	30	10	36½	30½	10¼	37½	28	6½	22⅞	31⅝	8⅝	29⅞	34⅞

Note: Product must be installed in accordance with applicable national and local electrical codes.

Screw cover



Clamp cover

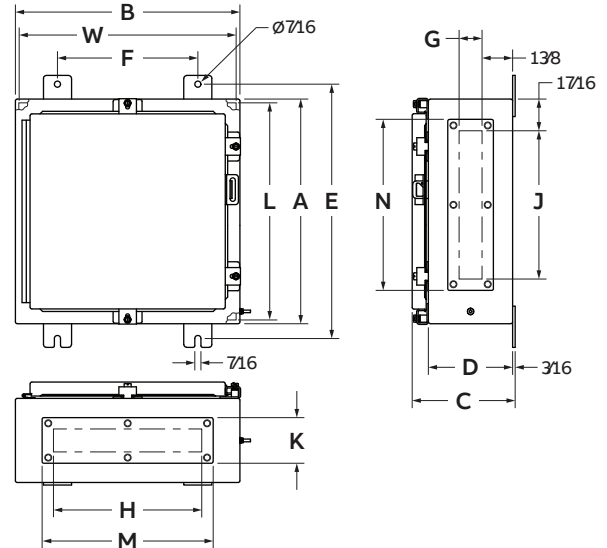


ABB Inc.
Electrification products
Memphis, Tennessee
USA

We reserve the right to make technical changes or modify the contents of this document without prior notice. With regard to purchase orders, the agreed particulars shall prevail. ABB Inc. does not accept any responsibility whatsoever for potential errors or possible lack of information in this document.

We reserve all rights in this document and in the subject matter and illustrations contained therein. Any reproduction, disclosure to third parties or utilization of its contents – in whole or in parts – is forbidden without prior written consent of ABB Inc. Copyright© 2018 ABB Inc. All rights reserved

Let's write the future.
Together. **abb.com**