

Type KOR-20E

High accuracy, extended range outdoor current transformer

Product features

- 34.5 kV outdoor
- 200 kV BIL, 60 Hertz
- Primary amperes: 5-1200
- Electrical clearances:
 - Strike: 15.75" (400 mm)
 - Creep: 36.50" (927 mm)
- Approximate weight: 110 lbs (50 kg)

Application

The KOR-20E high accuracy, extended range outdoor current transformer is designed for metering and relaying on outdoor 34.5 kV circuits and is available in single and dual ratio designs. Dual ratio designs are accomplished by tapping the secondary winding.

Construction features

Primary and secondary windings are assembled around a toroidal core and attached to a support frame. For insulation and protection, the assembly is cast in hydrophobic cycloaliphatic epoxy (HCEP) using automatic pressure gelation. The HCEP material offers superior arc track, ozone, and ultraviolet-resistive properties while maintaining physical strength. The hydrophobic surface properties of HCEP ensure highly reliable performance in wet or humid environments.

Terminals

Primary terminals are electro-tin plated copper. Clamp-type secondary terminals accommodate #14 through #1 wire. The X2-X3 terminals form the standard tap connections when the transformer is tapped.

Junction box

The junction box is provided with 1" conduit hubs on each end and a knock-out for fitting a conduit connection from the bottom. It may be detached for ease of installation and changeout procedures.

Baseplate

The baseplate is constructed of corrosion-resistant aluminum and is secured to the encapsulated base support.

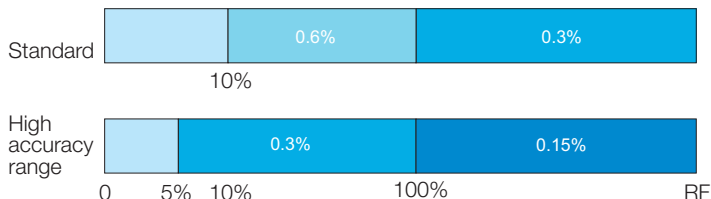
Mounting

The KOR-20E can be mounted in upright, cantilever, or upside-down positions. Stress relief devices should be used to support cable connections.



Extended range

ABB's standard high accuracy design delivers high accuracy and stable performance over a wide load swing, making it a great fit for variable load applications. Accuracy is guaranteed to be +/- 0.3% from 5% of nominal current to nominal current and +/- 0.15% from nominal current through rating factor. ABB's standard high accuracy units deliver savings through improved accuracy metering and reduced inventory.



Test reports

Test reports are stored electronically and can be e-mailed in various formats at the time of shipment.

Standards

This unit can be tested to all applicable IEEE, CSA, or IEC standards as requested. This unit is tested in accordance with IEEE C57.13.6-2005 for high accuracy instrument transformers.

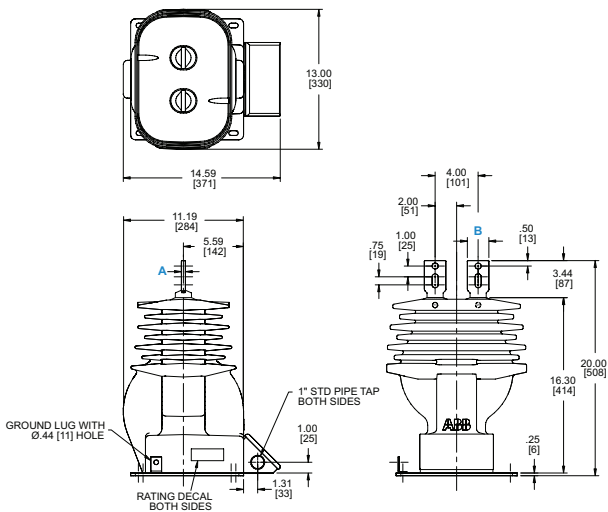
Selection guide

Primary ampere rating	Rating factor @ 30° C	IEEE metering accuracy	IEEE relay accuracy	Thermal rating (times normal, 1 sec)	Mechanical rating (times normal)	Style number
10	1.5	0.15B-0.5/0.3B-1.8	C200	100	290	E-923A545G01
15	1.5	0.15B-0.5/0.3B-1.8	C200	100	290	E-923A545G02
20	1.5	0.15B-0.5/0.3B-1.8	C200	100	290	E-923A545G03
25	1.5	0.15B-0.5/0.3B-1.8	C200	100	290	E-923A545G04
30	1.5	0.15B-0.5/0.3B-1.8	C200	100	290	E-923A545G05
40	1.5	0.15B-0.5/0.3B-1.8	C200	100	290	E-923A545G06
50	1.5	0.15B-0.5/0.3B-1.8	C200	100	290	E-923A545G07
75	1.5	0.15B-0.5/0.3B-1.8	C200	100	290	E-923A545G08
100	1.5	0.15B-0.5/0.3B-1.8	C200	100	290	E-923A545G09
150	1.5	0.15B-0.5/0.3B-1.8	C200	100	290	E-923A545G10
200	1.5	0.15B-0.5/0.3B-1.8	C200	100	290	E-923A545G11
300	1.5	0.15B-0.5/0.3B-1.8	C200	100	290	E-923A545G12
400	1.5	0.15B-0.5/0.3B-1.8	C200	100	290	E-923A545G13
500	1.5	0.15B-0.5/0.3B-1.8	C200	100	290	E-923A545G14
600	1.5	0.15B-0.5/0.3B-1.8	C200	100	290	E-923A545G15
800	1.5	0.15B-0.5/0.3B-1.8	C200	100	290	E-923A545G16
1200	1.5	0.15B-0.5/0.3B-1.8	C200	100	290	E-923A545G17

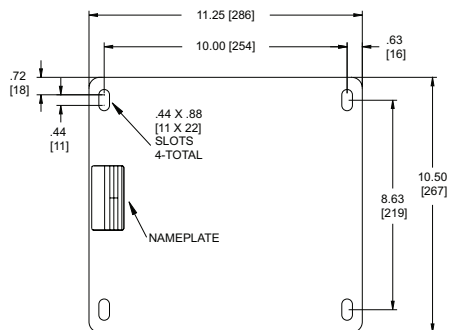
Additional styles available upon request. Contact your ABB sales representative or call +1-252-827-3212 for more information.

Note: 50 Hz designs available

Dimensions



Type KOR-20E



KOR-20E baseplate

Bar dimensions

Primary ampere rating	A		B	
	(in)	(mm)	(in)	(mm)
1800	0.375	10	2.0	51

For more information please contact:

ABB Inc.
Medium Voltage Distribution Components
 3022 NC 43 North
 Pinetops, NC 27864
 USA
 Phone: +1 252 827 3212
 Fax: +1 252 827 4286

www.abb.com/mediumvoltage

Note:

The information contained in this document is for general information purposes only. While ABB strives to keep the information up to date and correct, it makes no representations or warranties of any kind, express or implied, about the completeness, accuracy, reliability, suitability or availability with respect to the information, products, services, or related graphics contained in the document for any purpose. Any reliance placed on such information is therefore strictly at your own risk. ABB reserves the right to discontinue any product or service at any time.

Copyright 2013 ABB.
 All rights reserved.

Power and productivity
 for a better world™

