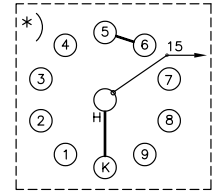
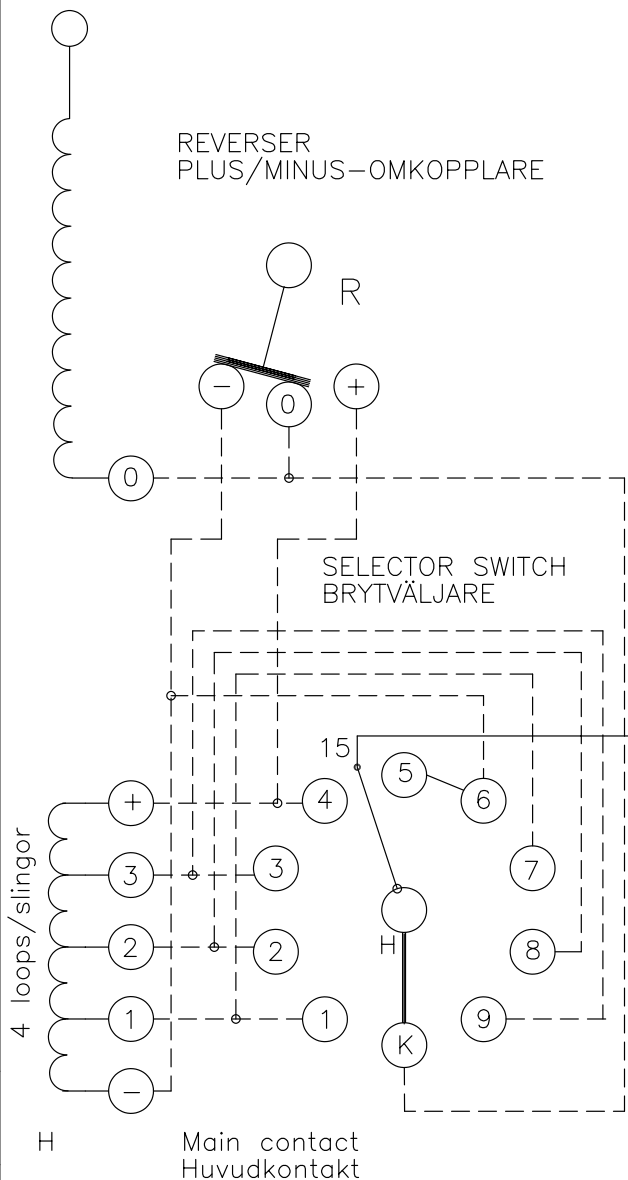


On-load tap-changer type VUBBR, UBBR, 9 tap positions, reverser.
 Min effective No. of turns in pos 1.
 The tap-changer is delivered set in pos 5, the preceding pos. was 4.

Lindningskopplare typ VUBBR, UBBR, 9 lägen, plus/minus-koppling.
 Min antal effektiva varv i läge 1.
 Lindningskopplaren levereras inställd i läge 5, föregående läge var 4.

Pos Läge	R connects förbinder	H connects förbinder
1	↓	4 - 15
2	↓	3 - 15
3	0 -	2 - 15
4	↓	1 - 15
5	↓	K - 15
6	↓	9 - 15
7	0 +	8 - 15
8	↓	7 - 15
9	↓	6 - 15



*) FOR VUBB TYPE OF OLTC
I VUBB UTFÖRANDE

1) Internal connections between the terminals 15 of the three phases are included in the star-point type. Connection between 5 and 6 is included. Dashed lines show in delivery not included leads belonging to cleats and leads.

Inre förbindningar mellan uttag 15 i de tre faserna ingår i nollpunktsutförande. Förbindning mellan 5 och 6 ingår. Streckade linjer visar i leveransen ej ingående ledare tillhörande anslutningsdonet.

We reserve all rights in this document and in the information contained therein. Reproduction, use or disclosure to third parties without express authority is strictly forbidden.
© ABB '19

Sheet	Cont
Year	Week
Dept	
Rev Ind	Revision
Rev Ind	Appd
Design checked by	Year Week
Drawn by	Year Week
Issued by	Year Week
Design checked by	Year Week

2	Output for VUBB type added.	DAAN	20	15
1	VUBBR added.	TL	10	27

Accepted by qual control R.Yngvesson	Accepted for prod by	Description (English) CONNECTION DIAGRAM	DATA ORIGINAL
Design checked by B-O.Stenestam	Drawn by L.Bergman	Description (own language) KOPPLINGSSHEMA	File name 0391-2
Drawn checked by M.Hedlund	Issued by Dept Year Week COM/TKO 97 32		Lang Sheet 1
Asea Brown Boveri		5492 0391-2	Rev Ind Cont 2 -