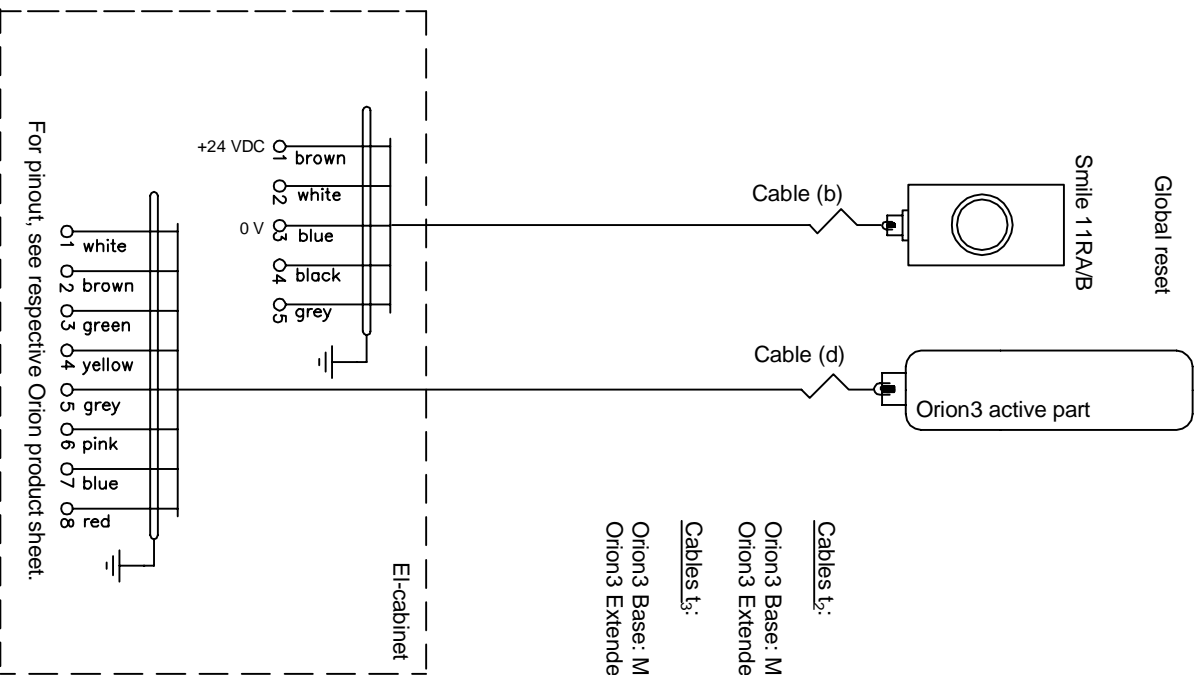
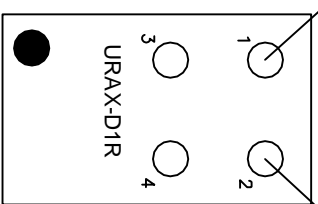
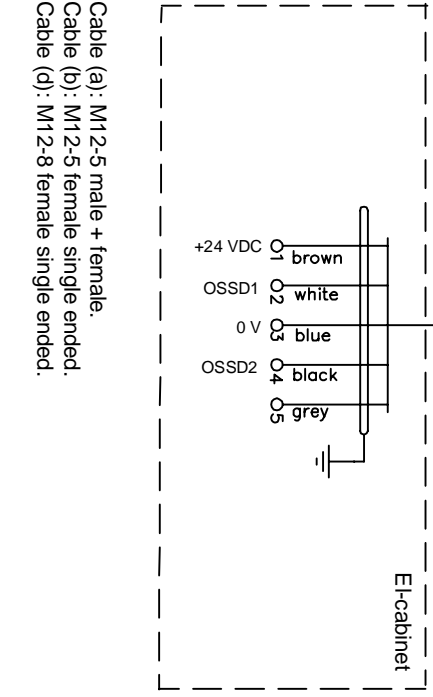
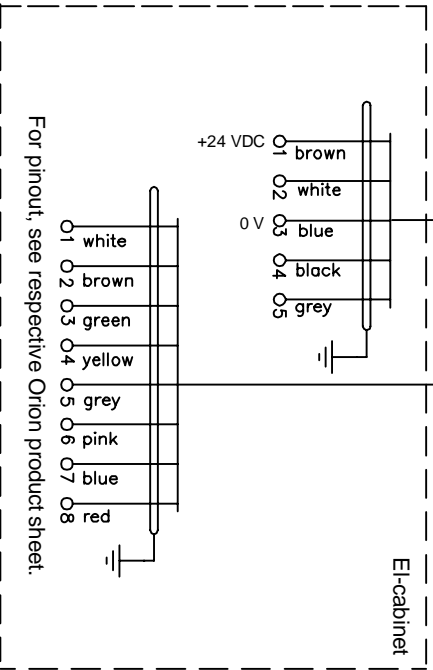
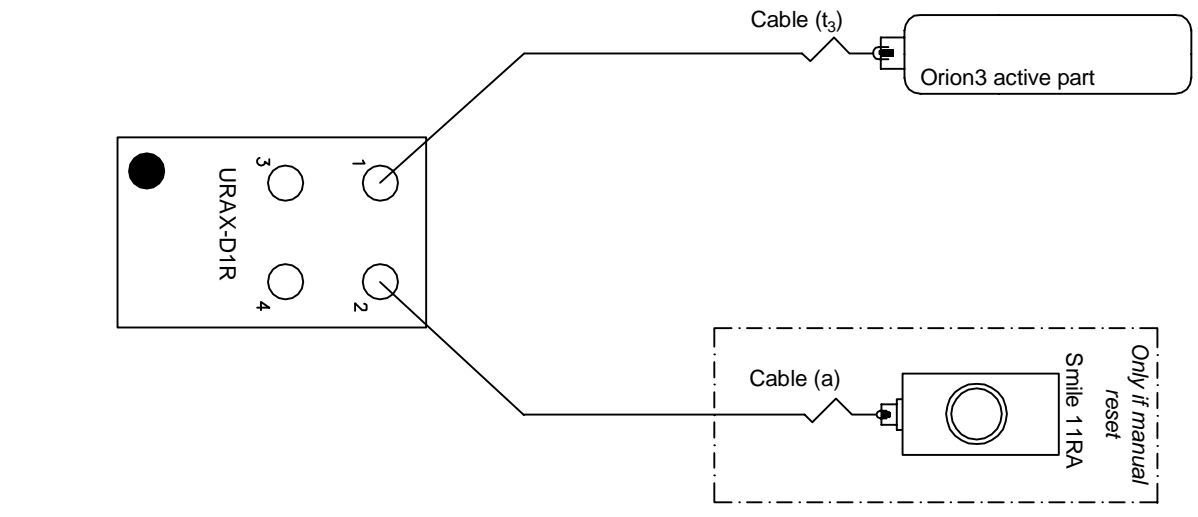
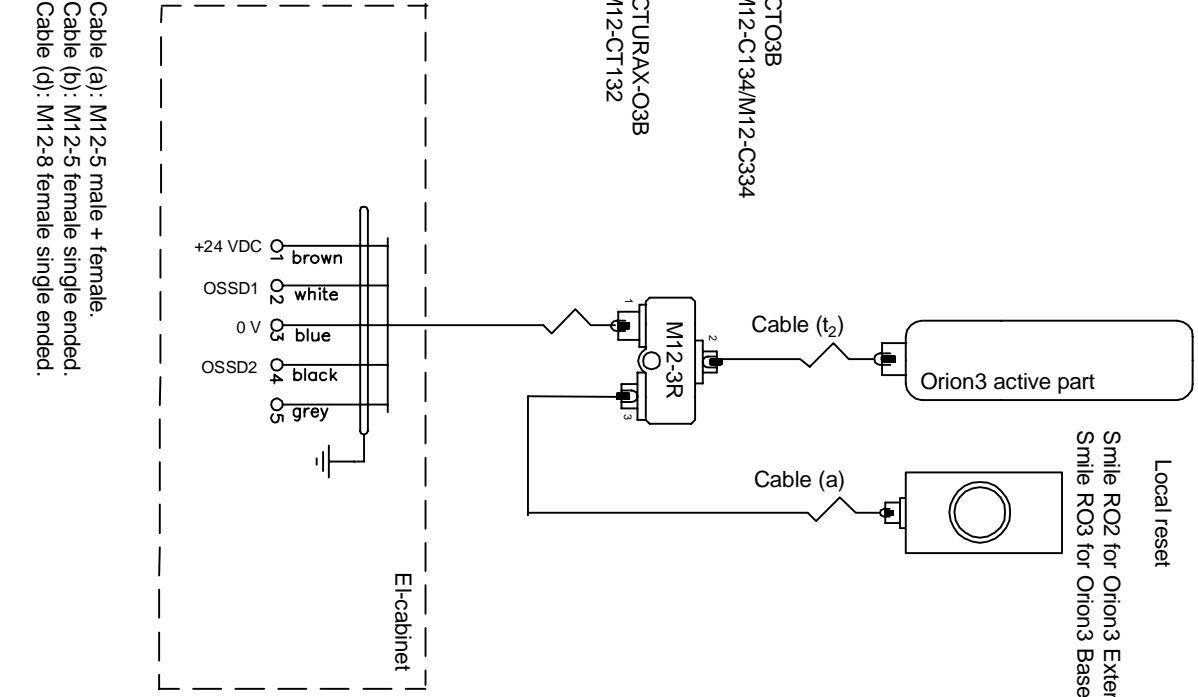


1 2 3 4 5 6 7 8 9 10



Cables t₁:
 Orion3 Base: M12-CTO3B
 Orion3 Extended: M12-C134/M12-C334

Cables t₂:
 Orion3 Base: M12-CTURAX-O3B
 Orion3 Extended: M12-CT132



Anmärkning Remark

Cables Orion3 – EI cabinet / Urax-D1R

Konstr. Design	Gödk	Appr	Datum	Date	Blad	Sheet
ABB			20160706			
Ritad	Drawn	Sidor	Pages	Ritn nr	Drawing no	Forts
ABB				2TLC01000370002		Cont