

NOTES:

- WARNING:** This drawing does not illustrate completely the installation methods required for hazardous locations. Prior to any installation in a Classified Hazardous Location, verify installation methods by the ControlDrawing referenced on the product's name tag and national and local codes.
- WARNING:** Using a non-factory RS485 data cable between UC12 and first unit may result in damage and may void system warranty.

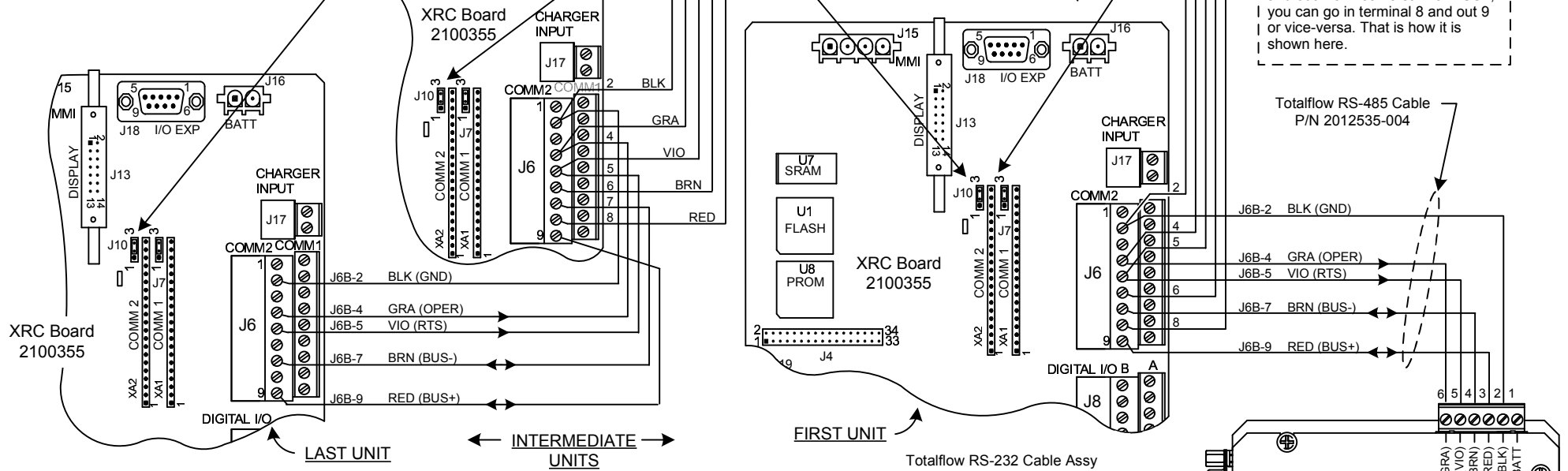
Jumper 1 to 2 on J10 to terminate last unit on bus.

Jumper 2 to 3 on J10 for first and intermediate units.
or
If the first unit is the only unit, jumper 1 to 2 to terminate.

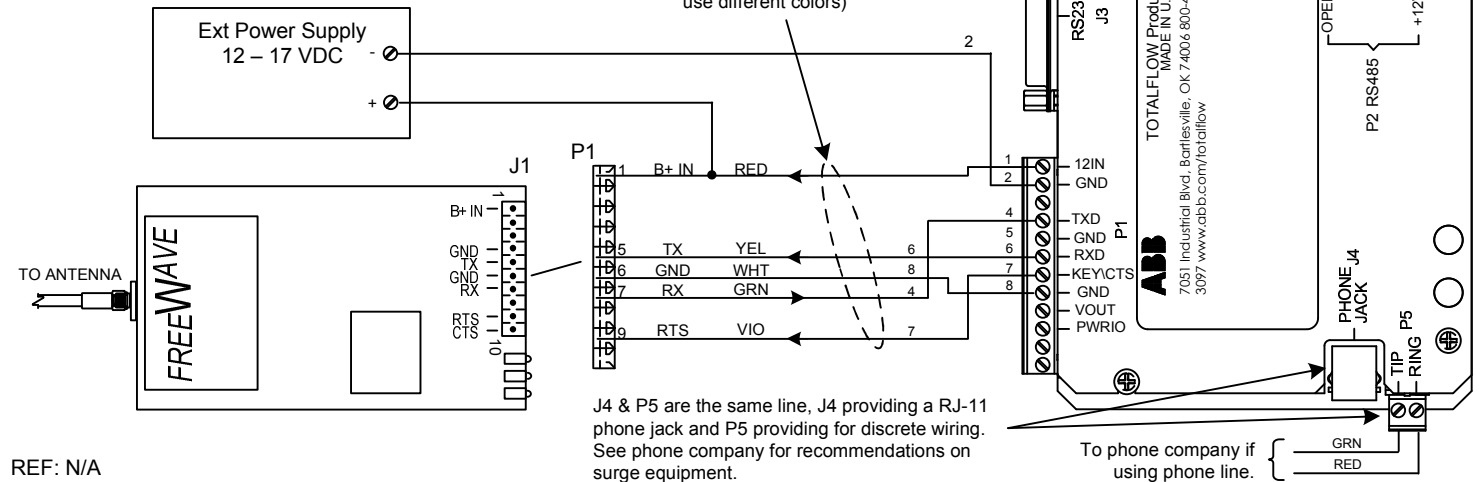
Totalflow RS485 Cable
P/N 2011648-001
Between Each Unit

RS-485 Communications Module
In Comm 1 Of Each Unit.
Totalflow P/N 2015193-002/003

Hint:
In RS-485 Mode, terminals 6 & 7 (BUS-) and 8 & 9 (BUS+) are common to each other. Therefore, for BUS-, you can go in terminal 6 and out 7 or vice-versa. For BUS+, you can go in terminal 8 and out 9 or vice-versa. That is how it is shown here.



- Maximum length of RS485 bus is 4000 Ft. @9600 baud using Totalflow cable P/N 2011648-001 or equivalent.
- Units must be daisy-chained; No Star Configurations.
- Cable Shielding – Cable segments between units should have their shields terminated on one end only. The RS-485 Cable (P/N 2011648-001) has two shields, each with its own drain wire. When connecting multiple units together, connect the two drain wires on the first unit to one of the two ground screws on the bottom left-hand side of the enclosure. Cut the cable and terminate the wiring on the second unit but do not connect the drain wires. On the next segment between the second and third units, connect the two drain wires to the second unit but not to the third unit. Repeat this process until all units are wired.



REF: N/A

| | | | | | | | |
|--|------------------------------|--------|----------|--|---------|-----|--------|
| | TOTALFLOW Products | ACTION | DOC TYPE | TITLE | DWG NO. | REV | SHEET |
| | | L19730 | UD | XRC COMM 2 (2100355 BD) WUCI2 (RS-485) TO FREEWAVE RADIO DGR09RFS REV AE/AH FGRIO-M/S (RS-232) W/EXT PWR | 2103171 | AA | 1 OF 1 |