

DATASHEET

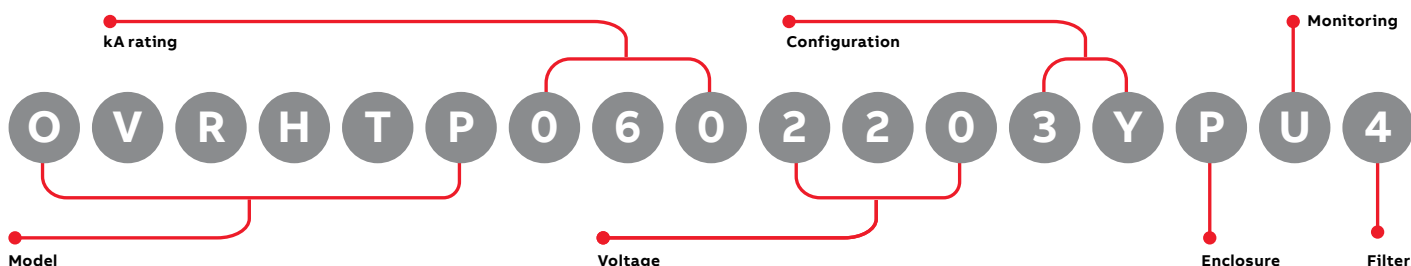
# OVRHTP-060

## Surge protective devices



### Product features

- UL Listed 1449 5th edition for Type 1 and Type 2 SPD applications
- Thermally protected MOVs provide superior protection and continuous operation
- 200 kAIC short circuit current rating allows direct bus connection without the need for an upstream over-current protection device
- UL 1283 EMI/RF filter available as an option
- Compact and lightweight design
- 10-year standard warranty



### Model number scheme

kA rating	Suffix
60 kA per phase, 30 kA per mode	060

Voltage and configuration (must choose one)	Suffix
120 V, 1-phase, 2-wire + ground	1201P
127 V, 1-phase, 2-wire + ground	1271P
220 V, 1-phase, 2-wire + ground	2201P
230 V, 1-phase, 2-wire + ground	2301P
240 V, 1-phase, 2-wire + ground	2401P
277 V, 1-phase, 2-wire + ground	2771P
240/120 V, 2-phase, 3-wire + ground	1202S
480/240 V, 2-phase, 3-wire + ground	2402S
240Δ/120 V, 3-phase high-leg, 4-wire + ground	1203H
208Y/120 V, 3-phase Wye, 4-wire + ground	1203Y
380Y/220 V, 3-phase Wye, 4-wire + ground	2203Y
400Y/230 V, 3-phase Wye, 4-wire + ground	2303Y
415Y/240 V, 3-phase Wye, 4-wire + ground	2403Y
480Y/277 V, 3-phase Wye, 4-wire + ground	2773Y
600Y/347 V, 3-phase Wye, 4-wire + ground	3473Y
208 V, 3-phase Delta, 3-wire + ground	2083D
240 V, 3-phase Delta, 3-wire + ground	2403D
415 V, 3-phase Delta, 3-wire + ground	4153D
480 V, 3-phase Delta, 3-wire + ground	4803D
600 V, 3-phase Delta, 3-wire + ground	6003D

Enclosure option	Suffix
Fiberglass-reinforced polyester, NEMA 4X	P
Powder-coated metal NEMA 4	4
Stainless steel NEMA 4X	S

Monitoring option (must choose one)	Suffix
Status indicator LED lights (one per phase)	B
Status indicator LED lights (one per phase), dry relay contacts, audible alarm with silence button, fault light	U

Filter option	Suffix
4 UF filter	4
UL 1283 filter making device a Type 2	4T2
No filter	0

# Product specifications

<b>Electrical</b>	
Maximum surge current rating	60 kA per phase, 30 kA per mode
Nominal discharge current rating (L-N)	20 kA Voltages over 347 10 kA
Operating frequency	47–63 Hz
Connection method	Pre-wired with 36 inches of #10 AWG conductor
Modes of protection	All modes (L-N, L-G, N-G, L-L)
Fault rating (SCCR)	200 kAIC — no upstream over-current protection device (breaker or fuse) required
Application	ANSI/IEEE C62.41.1 locations A, B and C ideal for distribution panels, branch panels and critical loads

<b>Mechanical</b>	
Installation location	Indoor or outdoor
Mounting method	Dual mounting flanges
Operating environment	-40 °F to 149 °F (-40 °C to +65 °C) 5%–95% non-condensing humidity
Altitude	0–12,000 ft (3.66 km)
Product design	Individual thermally fused MOV technology

<b>EMI/RFI filter attenuation</b>	
Mil Standard 220B	Up to 40 dB from 10 kHz to 100 MHz

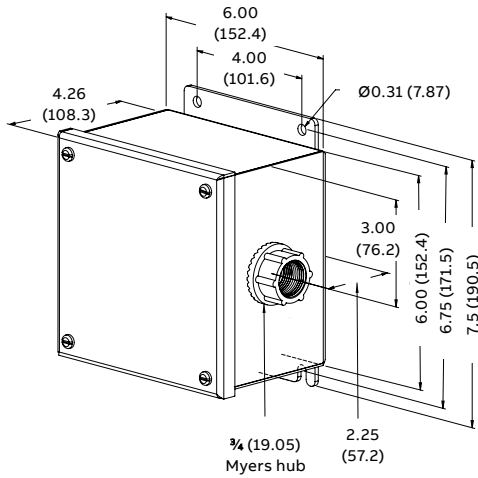
<b>Regulatory</b>	
cULus 1449 5th Edition	VZCA: E316636 Type 1
UL 1283 with filter option	Yes
UL96A compliant	Yes
IEEE C62.41.2, C62.45	Yes
NFPA 70 (NEC), Article 285	Yes
RoHs compliant	Yes
Listed by	UL

<b>Warranty</b>	
	10 years

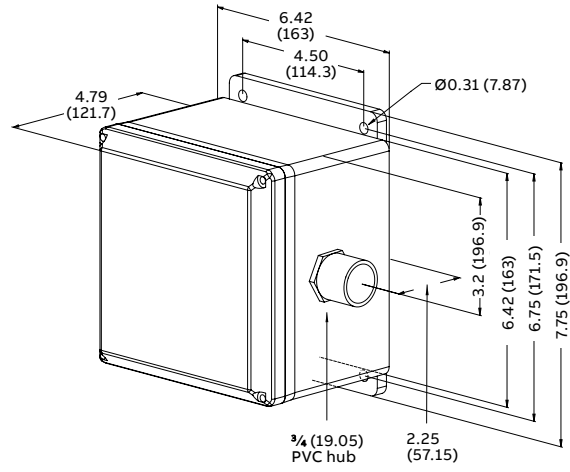
# Performance data

Model no.	System voltage	Protective mode	MCOV	B3 ring wave, 6 kV, 500 A	B3/C1 combo wave, 6 kV, 3 kA	C3 combo wave, 20 kV, 10 kA	UL 1449 5th edition, 6 kV, 3 kA VPR
OVRHTP0601201PPXX	120V	L-N	150 V	264 V	554 V	865 V	600 V
OVRHTP0601271PPXX	127 V	L-G	150 V	548 V	613 V	890 V	700 V
		N-G	150 V	560 V	586 V	878 V	600 V
OVRHTP0602201PPXX	220 V	L-N	320 V	271 V	953 V	1195 V	1000 V
OVRHTP0602301PPXX	230 V	L-G	320 V	866 V	995 V	1318 V	1000 V
OVRHTP0602401PPXX	240 V	N-G	320 V	860 V	933 V	1318 V	1000 V
OVRHTP0602771PPXX	277 V	N-G	320 V	860 V	933 V	1318 V	1000 V
OVRHTP0601202SPXX	240/120 V	L-N	150 V	264 V	554 V	865 V	600 V
OVRHTP0601203YPXX	208Y/120 V	L-G	150 V	548 V	613 V	890 V	700 V
		N-G	150 V	560 V	568 V	878 V	600 V
		L-L	300 V	372 V	941 V	1349 V	1000 V
OVRHTP0602402SPXX	480/240 V	L-N	320 V	271 V	953 V	1195 V	1000 V
OVRHTP0602203YPXX	380Y/220 V	L-G	320 V	866 V	995 V	1318 V	1000 V
OVRHTP0602303YPXX	400Y/230 V	N-G	320 V	860 V	933 V	1318 V	1000 V
OVRHTP0602403YPXX	415Y/240 V	L-L	640 V	357 V	1704 V	1195 V	1800 V
OVRHTP0602773YPXX	480Y/277 V	L-L	640 V	357 V	1704 V	1195 V	1800 V
OVRHTP0603473YPXX	600Y/347 V	L-N	420 V	281 V	1204 V	1607 V	1500 V
		L-G	420 V	1225 V	1322 V	1700 V	1500 V
		N-G	420 V	1105 V	1285 V	1854 V	1500 V
		L-L	690 V	542 V	2243 V	2606 V	2500 V
OVRHTP0602033HPXX	240Δ /120 V	L-N	150 V	264 V	554 V	865 V	600 V
		H-N	320 V	271 V	1045 V	1195 V	1200 V
		L-G	150 V	548 V	613 V	890 V	700 V
		H-G	320 V	866 V	1080 V	1318 V	1200 V
		N-G	150 V	560 V	568 V	878 V	600 V
		L-L	300 V	372 V	941 V	1349 V	1000 V
		H-L	470 V	535 V	1337 V	2060 V	1500 V
OVRHTP0602083DPXX	208 V	L-G	320 V	548 V	995 V	890 V	1000 V
OVRHTP0602403DPXX	240 V	L-L	320 V	372 V	941 V	1349 V	1000 V
OVRHTP0604153DPXX	415 V	L-G	552 V	866 V	1579 V	1318 V	1800 V
OVRHTP0604803DPXX	480 V	L-L	640 V	357 V	1979 V	1998 V	2000 V
OVRHTP0606003DPXX	600 V	L-G	690 V	1225 V	2243 V	1700 V	2500 V
		L-L	690 V	542 V	2243 V	2606 V	2500 V
OVRHTP0602301PIPXX	230 V	L-N	320 V	271 V	953 V	1195 V	1000 V
OVRHTP0602301PJPPXX	230 V	L-G	320 V	866 V	995 V	1318 V	1000 V
OVRHTP0602301PKPXX	230 V	N-G	320 V	860 V	933 V	1318 V	1000 V
OVRHTP0602301PLPXX	230 V	N-G	320 V	860 V	933 V	1318 V	1000 V

# Dimensions



60 kA metal enclosure



60 kA polycarbonate enclosure

All measurements in inches (millimeters).

kA	Enclosure type	Pre-wired	Weight in lbs	Weight in kg
60	Metal	Yes	7	3.18
60	Polycarbonate	Yes	5	2.17

ABB Inc.  
305 Gregson Dr  
Cary, NC 27511  
USA

We reserve the right to make technical changes or modify the contents of this document without prior notice. With regard to purchase orders, the agreed particulars shall prevail. ABB Inc. does not accept any responsibility whatsoever for potential errors or possible lack of information in this document

We reserve all rights in this document and in the subject matter and illustrations contained therein. Any reproduction, disclosure to third parties or utilization of its contents – in whole or in parts – is forbidden without prior written consent of ABB Inc. Copyright © 2023 ABB