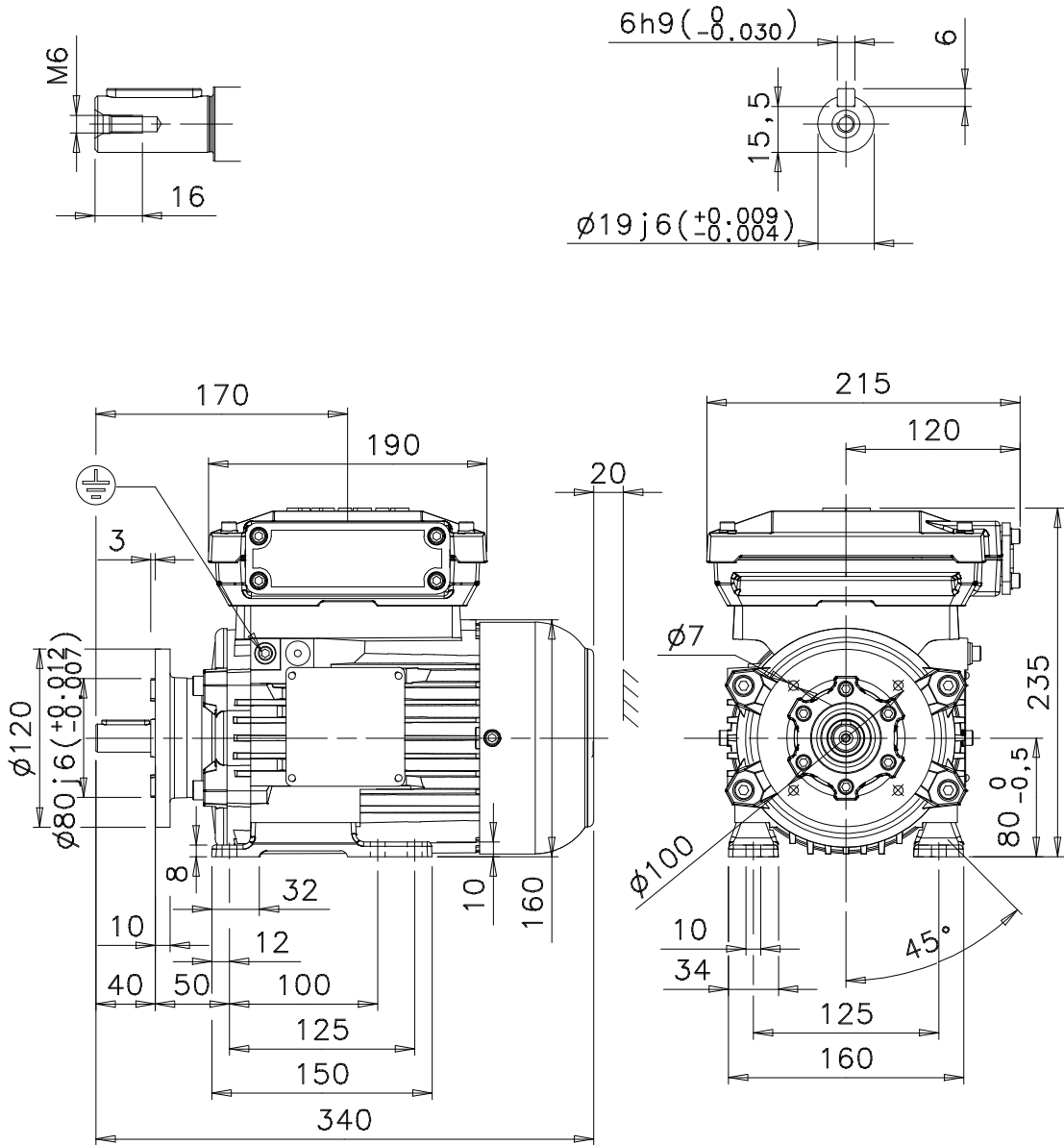
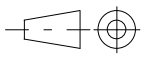


p



Additional information:

<p><b>Dimension Print</b></p>	<p>Motor Type: M3KP/GP/HP 80M_2-8 B35,V36 FF100</p>	<p>Document No: 3GZF500108-25 B 13 KP 80 A</p>
<p>Description: STANDARD SQUIRREL CAGE MOTOR</p>		
<p>Unit: ABB Oy, Motors Date: 11.04.2006</p>	<p>Issued by: T.Kuusisto Approved by: S.Sauna-aho</p>	<p>Replaces: Replaced by:</p>
<p><b>ABB Oy</b></p>	<p>Customer Reference:</p>	