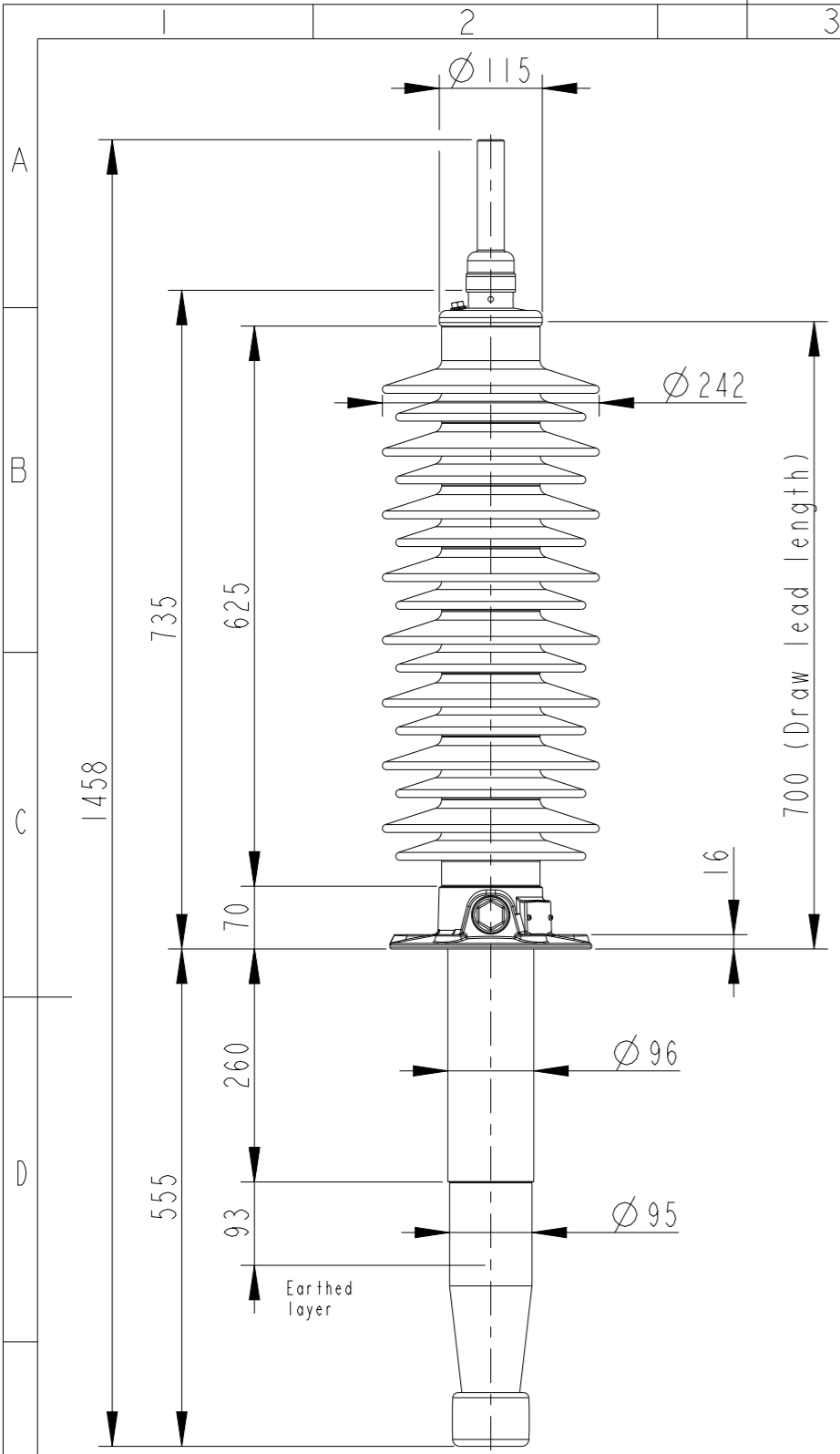


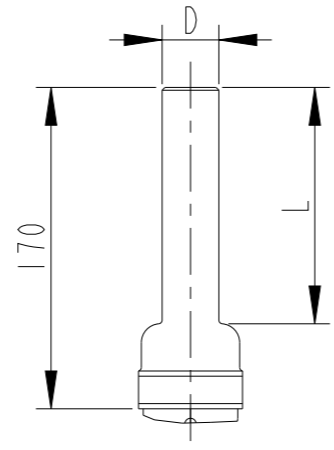
This document is issued by means of a computerized system. The digitally stored original is electronically approved. The approved document has a date entered in the "Approved"-field. A manual signature is not required.

We reserve all rights in this document and in the information contained therein. Reproduction, use or disclosure to third parties without express authority is strictly forbidden.

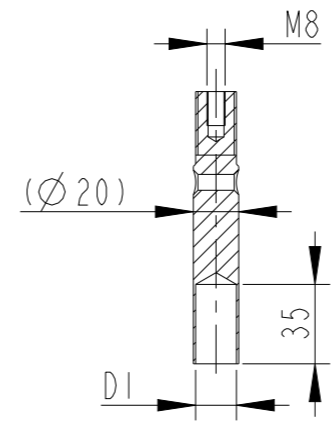
| Revision | Revision text |
|----------|---|
| D | Phase to Ground Voltage changed from 72.5 to 42kV |



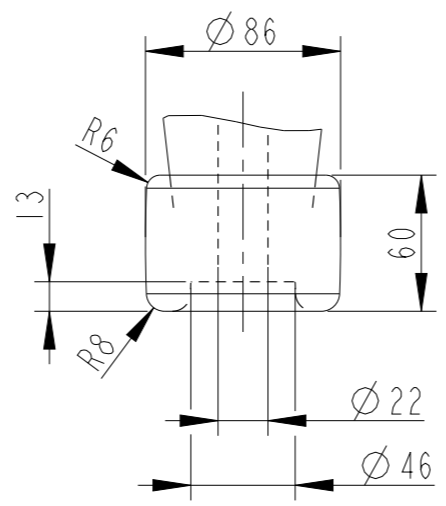
OUTER TERMINAL



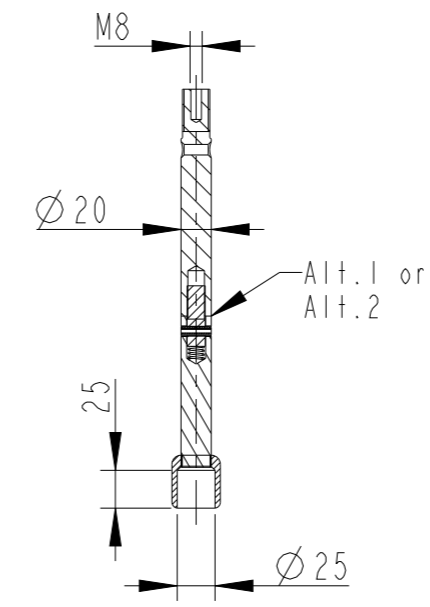
INNER TERMINAL FOR STRANDED CABLE



END SHIELD



SOLID ROD CONNECTOR



The solid rod can be divided either:
 Alt.1: 20mm below the bushing flange or
 Alt.2: 20mm below the upper end of the bottom porcelain

Bushing Data:

| | | |
|--------------------------------|-------------|----|
| Rated Voltage | 72.5 | kV |
| Phase to Ground Voltage | Δ 42 | kV |
| Dry Lightning Impulse 1,2/50µs | 350 | kV |
| Wet power frequency AC | 140 | kV |
| Routine test Imin dry 50Hz | 160 | kV |
| Rated Current | 800 | A |
| Creepage Distance | 2240±50 | mm |
| Creepage Distance Protected | 875 | mm |
| Mass | 40 | kg |

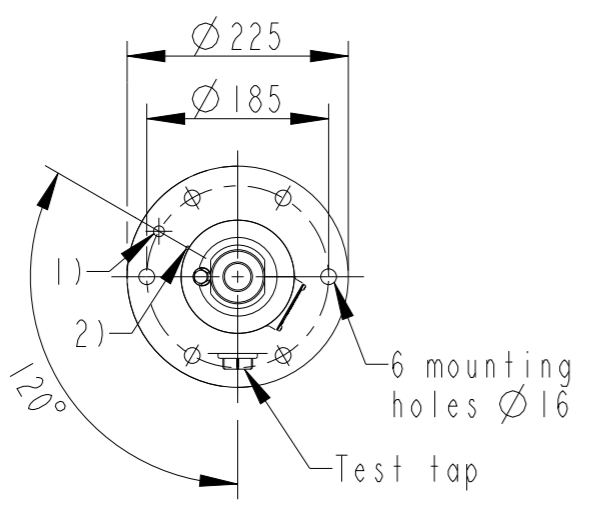
Ordering Data:

| | | | |
|------------------------|----------------------|------------|---------|
| BUSHING | COLOUR AIR INSULATOR | | |
| LF123027-K | BROWN | | |
| LF123027-L | LIGHT GREY | | |
| LF123027-HK | BROWN | Horizontal | 45°-90° |
| LF123027-HL | LIGHT GREY | Horizontal | 45°-90° |
| OUTER TERMINAL | Material | D | L |
| LF 170 002-A | Cu Alloy | Ø 30 | 125 |
| LF 170 001-A | Al | Ø 30 | 125 |
| OTHER TYPES ON REQUEST | | | |

| | | |
|--|----------------|-------------------------------|
| INNER TERMINAL FOR STRANDED CABLE | Conductor area | D1 |
| For brazing | LF 170 011-S | up to 150mm ² Ø 18 |
| | LF 170 011-U | Undrilled with pilot hole Ø 5 |
| For crimping or brazing | Conductor area | D1 |
| | LF 170 010-M | 50mm ² Ø 11 |
| | LF 170 010-N | 70mm ² Ø 13 |
| | LF 170 010-L | 95mm ² Ø 15 |

| | |
|----------------------------|----------|
| SOLID ROD CONNECTOR | Material |
| LF 170 019 -K for Alt.1 | Cu |
| LF 170 019 -G for Alt.2 | Cu |

- 1) M12 (For Earthing)
- 2) Ø4 Oil connection hole (only valid for horizontal mounting)



| | | | |
|-----|-------|-----------------|------------|
| ABB | | Ludvika, Sweden | |
| No. | Um | kV Ir | A 50/60 Hz |
| BL | kV SL | kV AC | kV |
| M | kg L | mm | ° |
| C1 | pF | Tan δ | x |
| C2 | pF | Tan δ | x |

| | | |
|--|---|--|
| Created by Jacob Stefansson | Reviewed by Joakim Persson | Approved by Natalia Gutman |
| Approved 2019-11-06 | Document Kind Outline Drawing | Based on doc.id Work order id Project id |
| Company ABB Technology Ltd | Title, Supplementary title GOB 325-800-0.3 WITHOUT OIL LEVEL GAUGE STD END SHIELD | |
| Responsible Department SEABB-9AAE300824 | Document id 2751369-123 | Status Released |
| Revision D | | Iteration 1/1 |