

ABB MEASUREMENT & ANALYTICS | SPARE PARTS LIST

# CoriolisMaster FCB130, FCB150, FCH130, FCH150

## Coriolis mass flowmeter



Measurement made easy

### Additional Information

Additional documentation on CoriolisMaster FCB100, FCH100 is available for download free of charge at [www.abb.com/flow](http://www.abb.com/flow).

Alternatively simply scan this code:



## Table of contents

- 1 Safety instructions for repair work..... 3**
- 2 Name plate specifications for spare parts orders 4**  
Name plate of sensor in integral mount design (example)  
4
- 3 Terminal box (remote mount design) ..... 5**
- 4 Electronic unit..... 6**
- 5 Accessories ..... 7**

# 1 Safety instructions for repair work

ABB flowmeters are designed to be easy to repair thanks to uniform replacement parts and simple replacement of predefined parts.

However, if repair work is not carried out in accordance with the guidelines, this may result in malfunctioning of the device, causing serious injury to persons, and harm to the environment. This is especially true for safety-critical devices and those certified for use in explosion hazard environments.

Certifications will also lapse if the repairs were not carried out with the proper tool or by persons without adequate training. We therefore recommend all repair work on flowmeters be carried out by ABB service technicians.

As the manufacturer of the device, ABB cannot guarantee the necessary quality of the repair procedures if the work and/or parts exchange was not carried out by ABB.

The plant operator is responsible for all repairs carried out by the customer, plant operator, or third party. In this case, ABB will reject all responsibility for any improper device functionality, in particular all safety-related functions.

ABB does not assume any liability for the deterioration or loss of device performance, malfunctions, or damage arising from the above repair work or replacement. All liability for defects shall lapse when the replacement or repair work is not carried out by ABB.

If you are unsure about the repair process even if some or all replacement parts are available, please get in touch with ABB Service before beginning work.

Respect national and internal laws when carrying out repairs. In particular laws relating to certified flowmeters used in explosion hazard environments. Repair work which is carried out without following the legal requirements can result in the revocation of your operating permit.

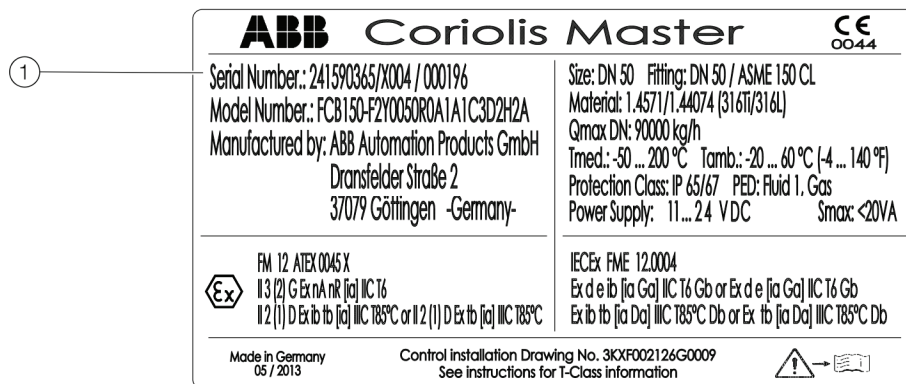
For more information, go to <http://new.abb.com/service/repairs> or contact your local ABB Customer Service Center.

## 2 Name plate specifications for spare parts orders

The flowmeter version can be identified by referring to the name plate that is attached to the housing.

### Name plate of sensor in integral mount design (example)

When placing spare parts orders, always remember to state the serial number as shown on the name plate.



① Serial number

Figure 1 Name plate of sensor in integral mount design (example)

The flowmeter version can be identified by referring to the name plate that is attached to the housing.

#### Note

Prices available upon request!

### 3 Terminal box (remote mount design)

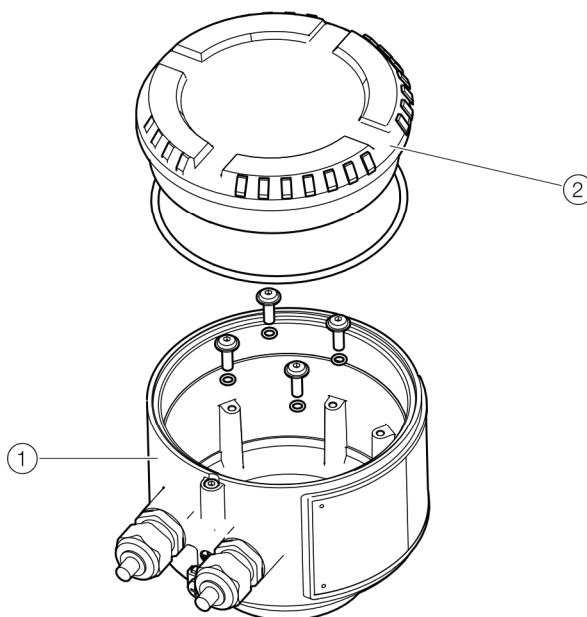


Figure 2: Terminal box

Number	Designation	Ordering number	Recommended spare part	Price (€)
① - ②	Terminal box complete, preassembled, standard, M20x1.5	3KXS360106L0003		
	Terminal box complete preassembled, standard, NPT ½ in.	3KXS360106L0004		
	Terminal box complete preassembled, stainless steel, NPT ½ in.	3KXS360106L0002		
	Terminal box complete preassembled, stainless steel, M20x1.5	3KXS360106L0001		
①	Housing, standard, M20x1.5	3KXF002568U0400		
	Housing, standard, NPT ½ in.	3KXF002568U0500		
	Housing, stainless steel, M20x1.5	3KXF002567U0300		
	Housing, stainless steel, NPT ½ in.	3KXF002567U0400		
②	Housing cover with O-ring, standard	D612A226U01	X	
	Housing cover with O-ring, stainless steel	3KQZ407109U0100	X	
	Housing cover with O-ring, EX	D612A226U02	X	

## 4 Electronic unit

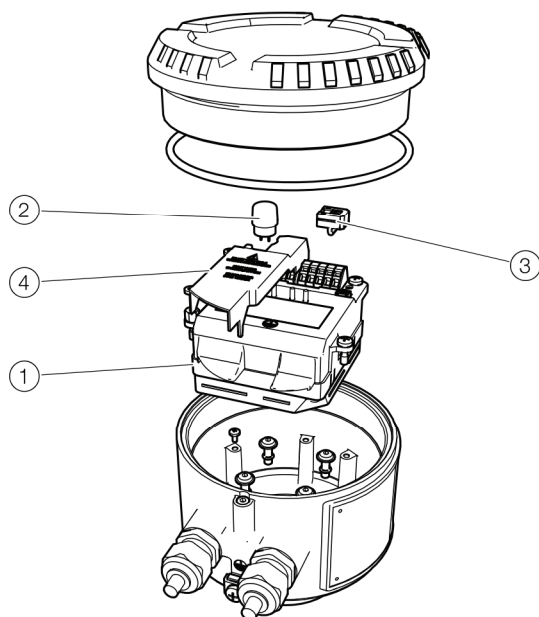


Figure 3: Electronic unit

Number	Designation	Ordering number	Recommended spare part	Price (€)
① - ②	Slide In Mint, Dv1	3KXF002776U0200	X	
	Slide In Mint, GP/ZN/DV2	3KXF002776U0100	X	
②	Fuse	3KQR000443U0100	X	
③	Memory module	3KXF002906U0100	X	
	Memory module, programmed	3KXF002906U0100A	X	
④	Power supply cover slide	3KXF002617U0100		

## 5 Accessories

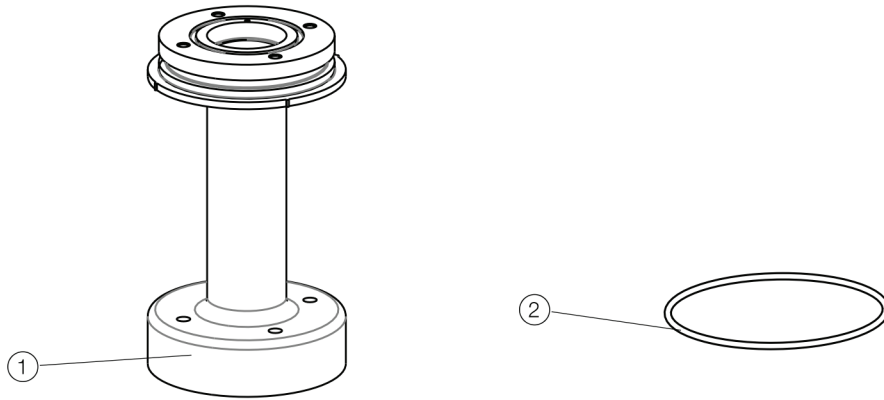


Figure 4: Adapter Set

Number	Designation	Ordering number	Recommended spare part	Price (€)
①	Adapter Set (with O-ring, spring washers and screws)	3KXS360106L0005		
②	Flat gasket	D333F030U01		
③	Local Operating Interface	3KXS310000L0001		
④	Extension cable	3KXF002356U0100		

—  
**ABB Automation GmbH**  
**- Service Instruments -**

Schillerstraße 72

D-32425 Minden

Deutschland

Fax: +49 571 830-1744

Mail: [parts-repair-minden@de.abb.com](mailto:parts-repair-minden@de.abb.com)

**[abb.com/flow](http://abb.com/flow)**

**To find your local ABB branch, go to:**

[abb.com/contacts](http://abb.com/contacts)



—  
We reserve the right to make technical changes or modify the contents of this document without prior notice. With regard to purchase orders, the agreed particulars shall prevail. ABB does not accept any responsibility whatsoever for potential errors or possible lack of information in this document.

We reserve all rights in this document and in the subject matter and illustrations contained therein. Any reproduction, disclosure to third parties or utilization of its contents – in whole or in parts – is forbidden without prior written consent of ABB.

Copyright© 2018 ABB

All rights reserved

3KXF411009R4701