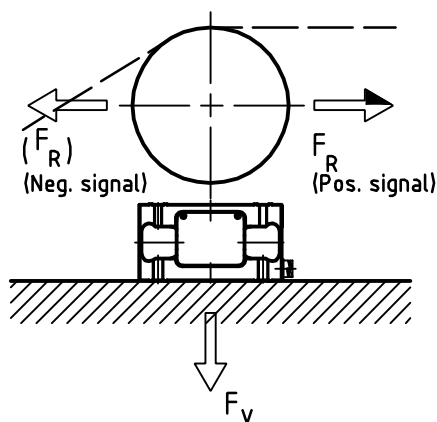


REV	DESCRIPTION	DATE	DEPT./INIT.
-	New document	93-07-07	SEAUT/AGK/RoK
A	Tolerance and text add.	94-10-18	SEISY/AGK/ÅP
B	Connector moved. Text (Neg. signal) and (Pos. signal) added.	2002-01-08	ATCF/FM/GB/LEN



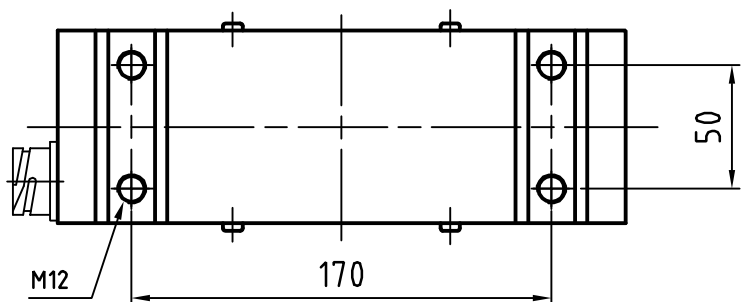
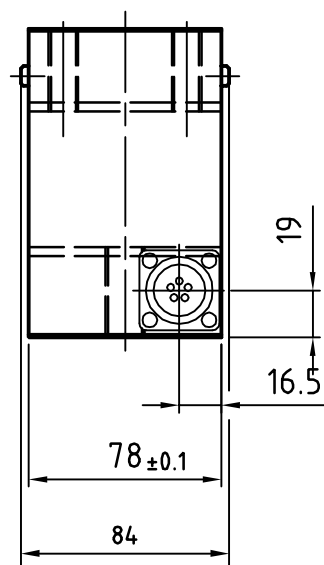
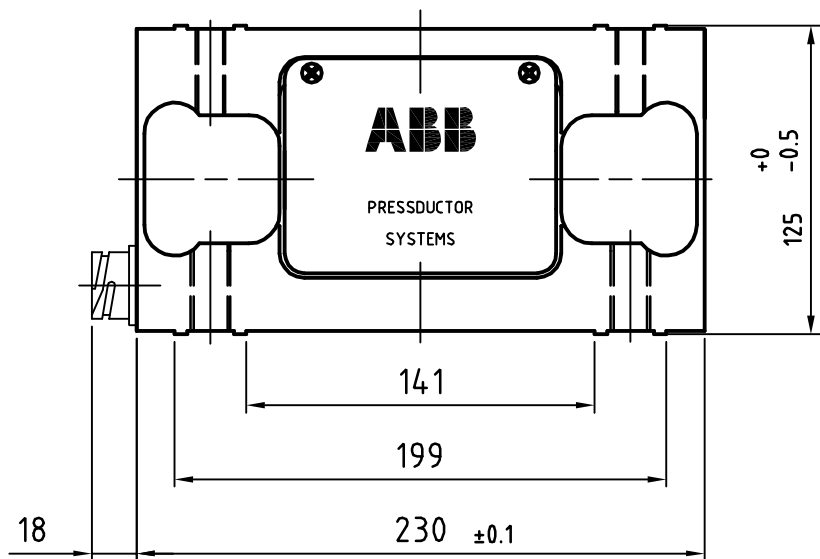
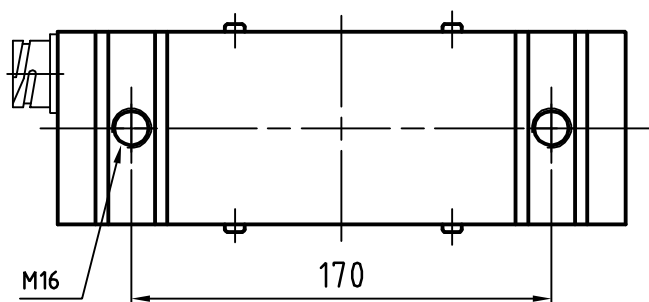
$F_R$  = Measured component

$F_V$  = Force component (not measured)

Drawing shows PFTL 101A-1.0kN

Dimensions are valid for the following load cells:

PFTL 101A-0.5kN Art No.:3BSE004160R0001  
PFTL 101A-1.0kN Art No.:3BSE004166R0001  
PFTL 101A-2.0kN Art No.:3BSE004172R0001



We reserve all rights in this document and in the information contained therein. Reproduction, use or disclosure to third parties without express authority is strictly forbidden. © ABB Automation Technology Products AB

Plotted

Prep. ATCF/FM/GB Nilsson Lars-Erik 2002-01-08	DIMENSION DRAWING		Cont.sh./No of sh.
Appr. ATCF/FM/GB Carlqvist Ulf 2002-01-29	PFTL 101A-0.5-2.0kN Load cell		-
Resp.dept ATCF/FM/GB	Document number 3BSE004171	Lang. en	Rev. B
<b>ABB Automation Technology Products</b>		Sheet 1	

Product family : 661220 Banspänningsmätare PBT  
Product type designation : PFTL101  
Product information : 101A

Project or order number :  
Version label : 1.2  
Modify date : 2002-01-29

Document status : Approved