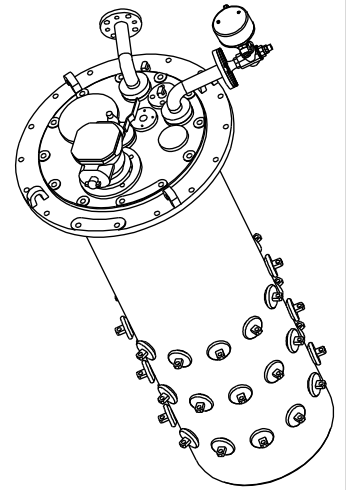
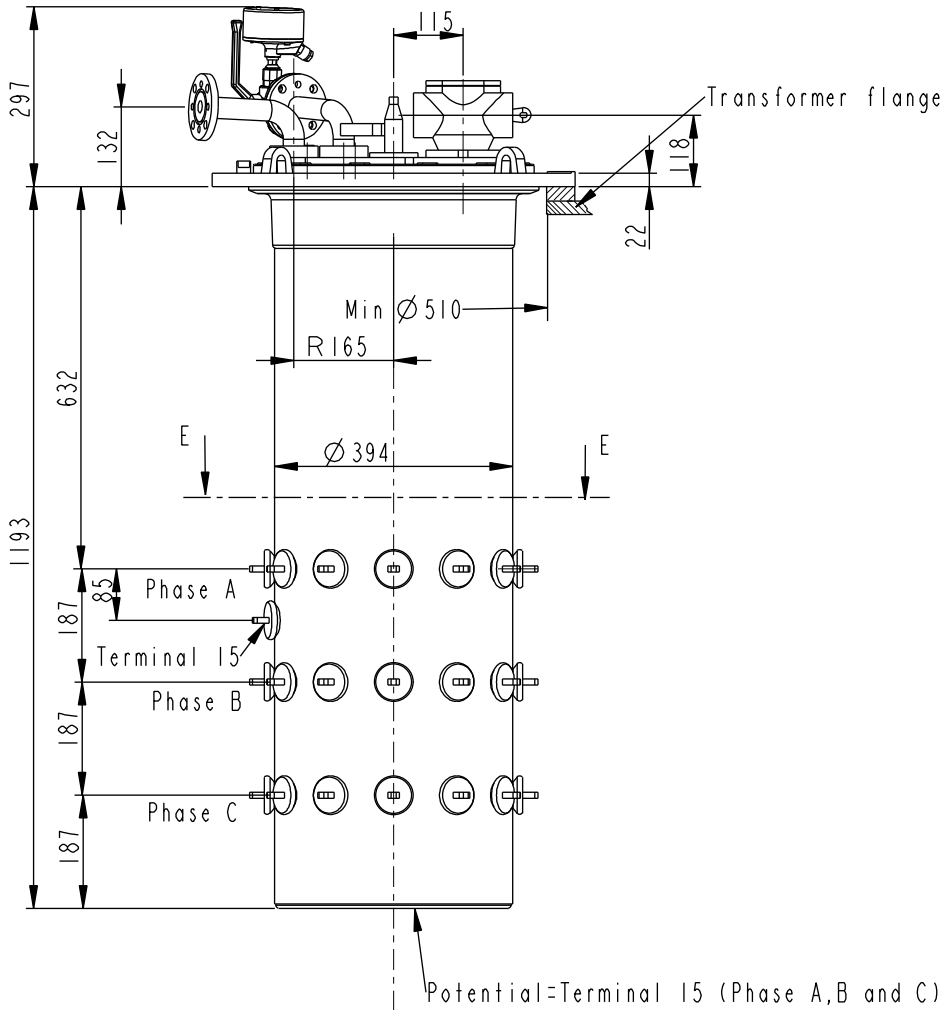


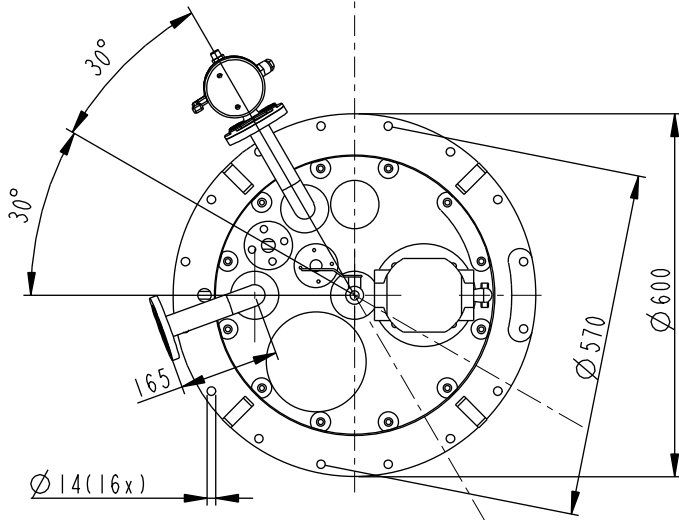
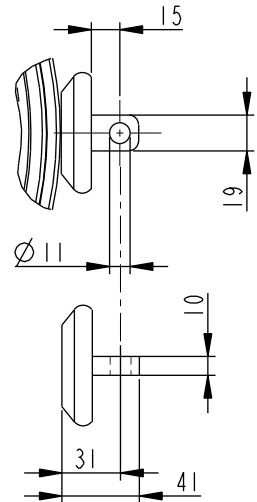
We reserve all rights in this document and in the information contained therein. Reproduction, use or disclosure to third parties without express authority is strictly forbidden. ©ABB

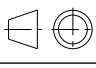

Production engineering review

Design engineering review



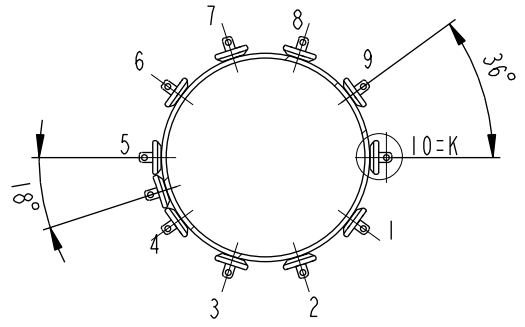
Selector switch contact and current collector terminal



Based on	Reg. No.	Title TAP-CHANGER UBB UBBLN XXX/YYY 5-14 pos	 Language en Page 1(2)
Prepared T Sapila 96-04-09	Responsible department COM/TK		
Approved B Hultgren	Take over department		
Revision Rev.3 060926	Database DIMENSION_DWGS		
 ABB Components		Document No.	54920088-3

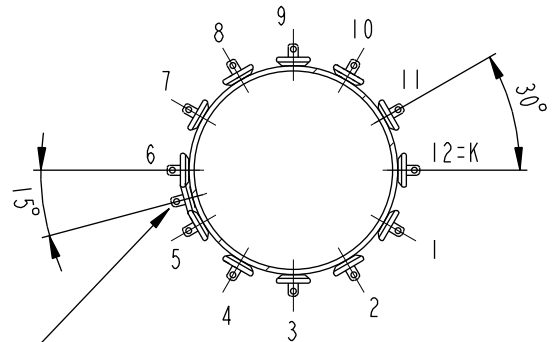
ARRANGEMENT OF
SELECTOR SWITCH CONTACTS

5-10 POSITIONS



E - E

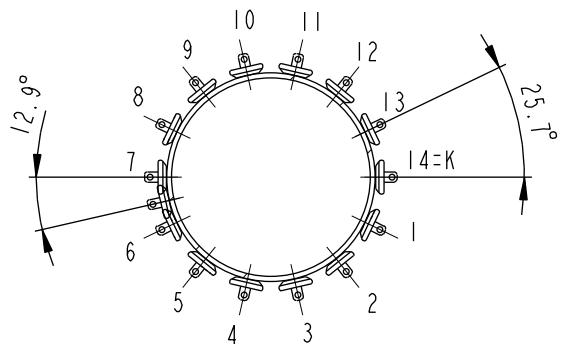
11-12 POSITIONS



E - E

Current collector terminal 15

13-14 POSITIONS



E - E

ADDITIONAL DRAWINGS:

Connection Diagrams: See Technical Guide UB
 Mounting on active part: 54920088-8
 Top Section, Accessories: 54920088-10
 Motor Drive BUL: 54830001-1
 Motor Drive BUE: 54830001-2 or -3
 External Drive Shaft: 54920088-9
 Pressure Relay: 54920083-2
 Bevel Gear: 54920083-1

We reserve all rights in this document and in the information contained therein. Reproduction, use or disclosure to third parties without express authority is strictly forbidden. ©ABB

Production engineering review

Design engineering review

Inspection engineering review

Based on	Reg. No.	Title TAP-CHANGER UBB	
Prepared T Sapila 96-04-09	Responsible department COM/TK		
Approved B Hultgren	Take over department	UBBLN XXX/YYY	Page 2(2)
Revision Rev. 3 06-09-26	Database DIMENSION_DWGS	Document No. 54920088-3	



ABB Components