

We reserve all rights in this document and in the information contained therein. Reproduction, use or disclosure to third parties without express authority is strictly forbidden. © ABB 19

Pos. Lage	R connects förbinder	H connects förbinder
1	17-18	1-20
2		2-20
3		3-20
4		4-20
5		5-20
6		6-20
7		7-20
8		8-20
9		9-20
10		10-20
11		11-20
12		12-20
13		13-20
14		14-20
15		15-20
16		16-20
17		17-20
17A	17-19	1-20
18		2-20
19		3-20
20		4-20
21		5-20
22		6-20
23		7-20
24		8-20
25		9-20
26		10-20
27		11-20
28		12-20
29		13-20
30		14-20
31		15-20
32		16-20
33	16-20	

A position with letter is a through position and gives the same voltage as the normal position.

Läge med bokstav är ett genomloppsläge och ger samma spänning som normalläget.

1) Connections between the terminals 20 of the three phases are included in the star-point type.

Förbindningar mellan uttag 20 i de tre faserna ingår i nollpunktsutförandet.

On-load tap-changer type UZER., UZFR., 33 tap positions, plus/minus switching.

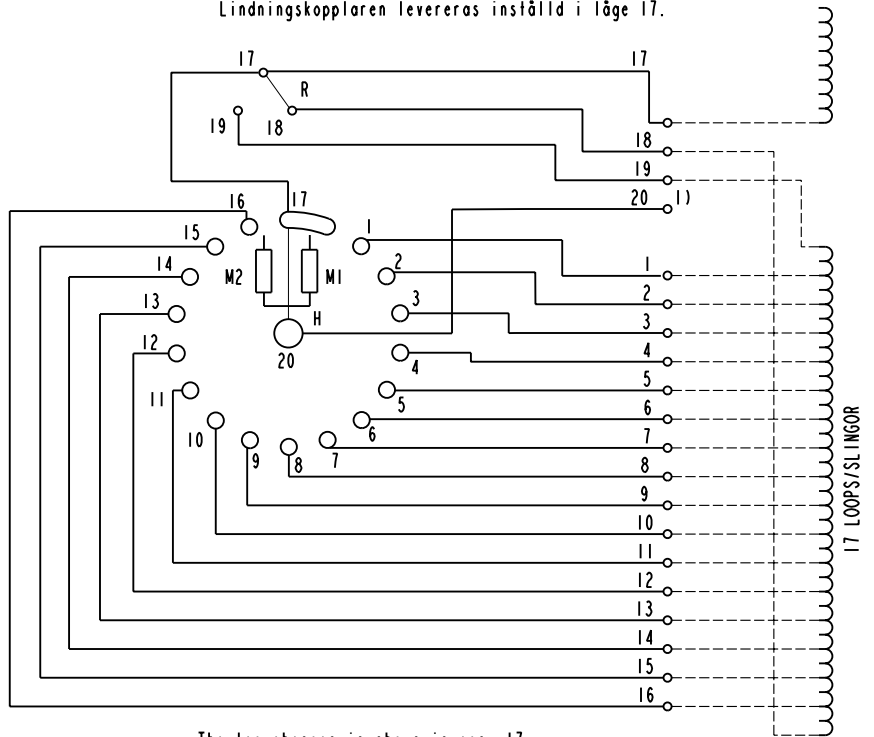
Min effective No. of turns in pos. 1.

The tap-changer is delivered set in pos. 17.

Lindningskopplare typ UZER., UZFR., 33 lägen, plus/minus-koppling.

Min antal effektiva varv i läge 1.

Lindningskopplaren levereras inställd i läge 17.



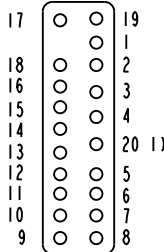
The tap-changer is shown in pos. 17  
Lindningskopplaren visad i läge 17

R Change-over selector  
Plus/minus-omkopplare

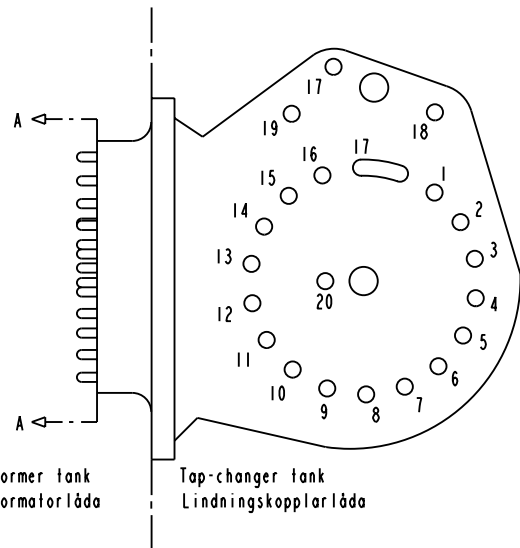
H Main contact  
Huvudkontakt

M1, M2 Transition contacts  
Motståndskontakter

Terminal board  
Plint



Section A-A  
Sektion A-A



Transformer tank  
Transformatorlåda

Tap-changer tank  
Lindningskopplarlåda

Sheet	Cont
Year	Week
Dept	
Rev	Ind
Revision	Appd
Year	Week
Design checked by	Issued by
Dept	Year
Week	

-	-	-	-
Rev	Ind	Appd	Year
Revision			Week

Accepted by qual control R. Yngvesson	Accepted for prod by	Description (English) CONNECTION DIAGRAM	DATA ORIGINAL
Design checked by B-O. Stenestam	Drawn by L. Bergman	Description (own language) KOPPLINGSSHEMA	File name 0397-13
Drawing checked by M. Hedlund	Issued by Dept COM/TKO	Year 97	Week 33
Lang		Sheet	
Rev		Ind	Cont
-		-	-



Asea Brown Boveri

5492 0397-13