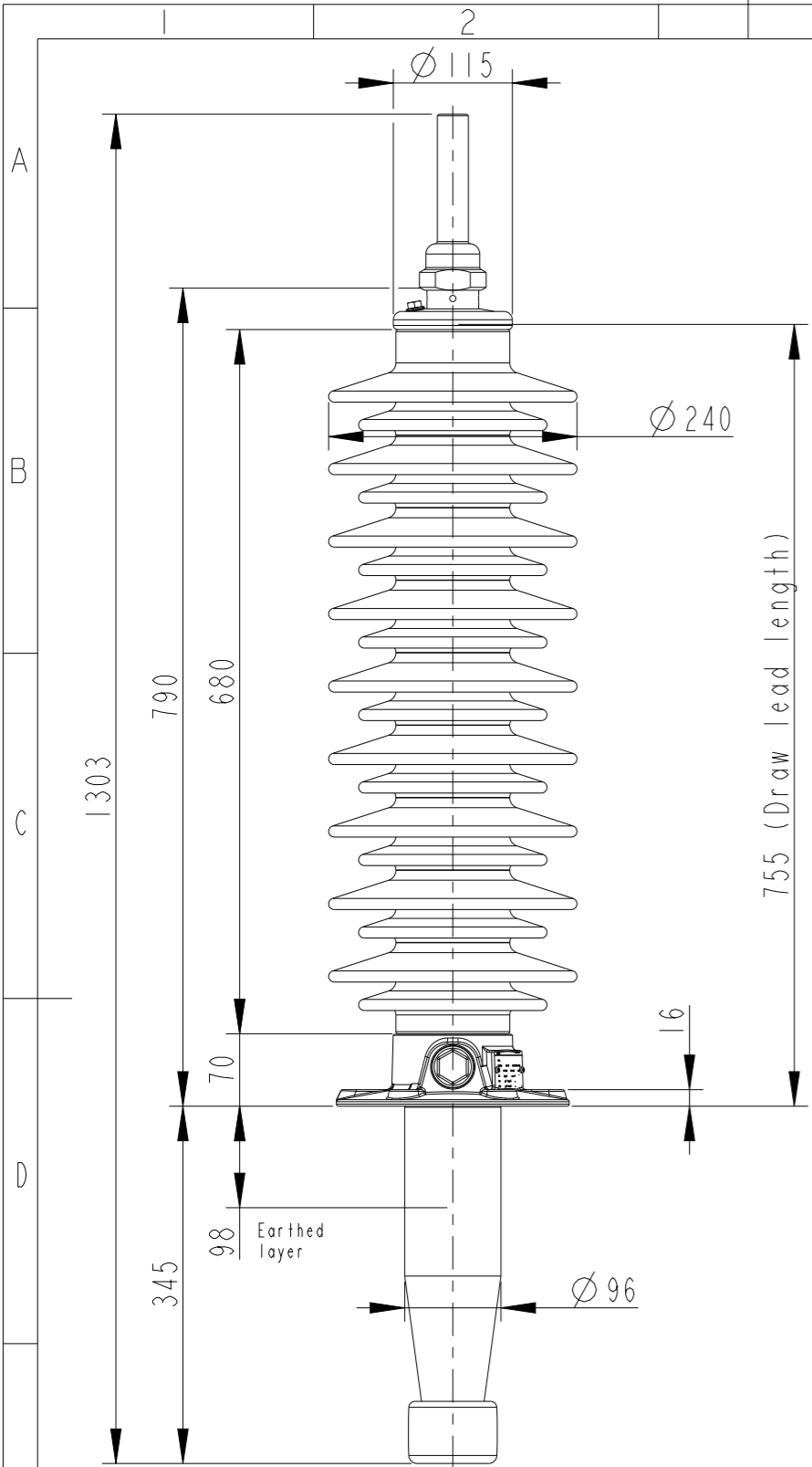
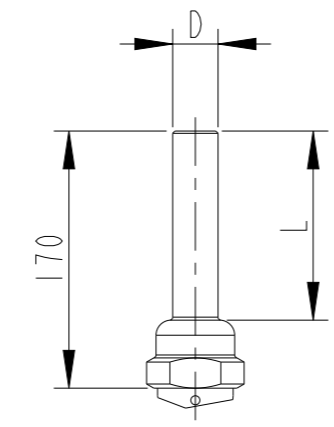


This document is issued by means of a computerized system. The digitally stored original is electronically approved. The approved document has a date entered in the "Approved"-field. A manual signature is not required.

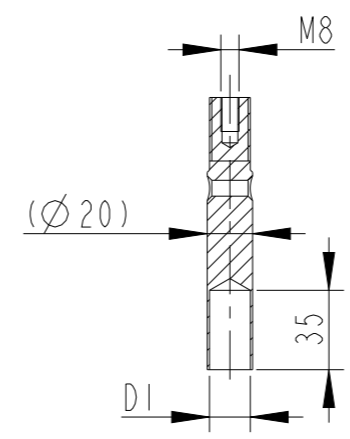
We reserve all rights in this document and in the information contained therein. Reproduction, use or disclosure to third parties without express authority is strictly forbidden.



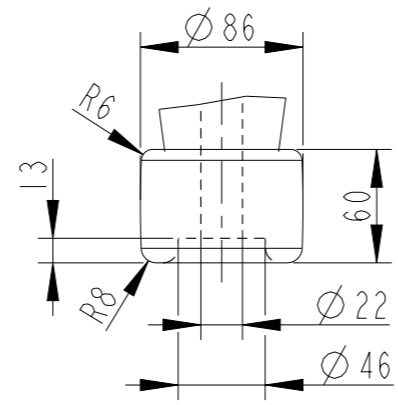
**OUTER TERMINAL**



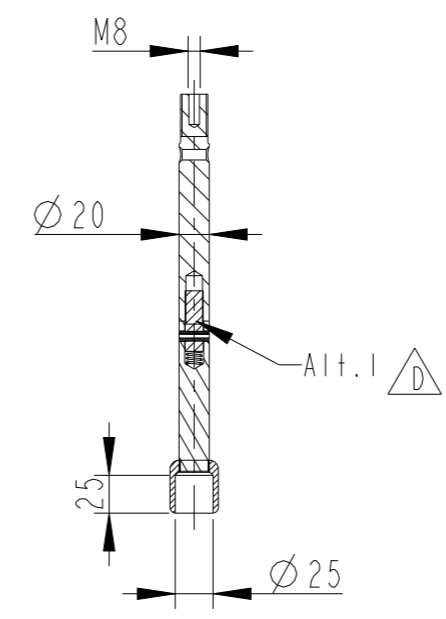
**INNER TERMINAL FOR STRANDED CABLE**



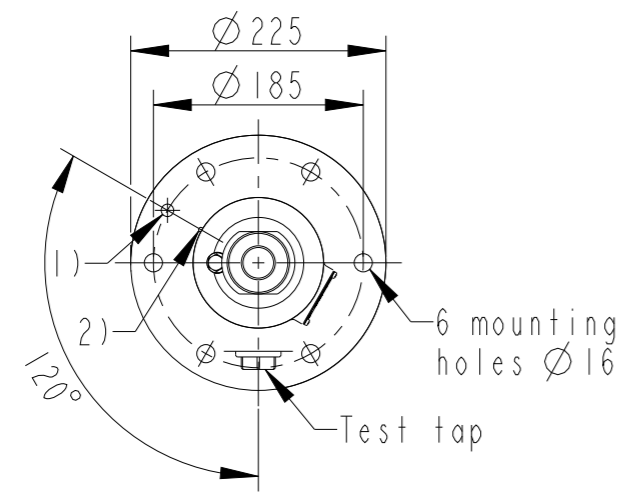
**END SHIELD**



**SOLID ROD CONNECTOR**



The solid rod can be divided either:  
Alt.1: 20mm below the bushing flange



- 1) M12 (For Earthing)
- 2)  $\varnothing 4$  Oil connection hole (only valid for horizontal mounting)

ABB		Ludvika, Sweden	
No.			
Um	kV Ir	A 50/60 Hz	
BIL	kV SIL	kV AC	kV
M	kg L	mm	°
C1	pF Tan $\delta$	x	
C2	pF Tan $\delta$	x	

**Bushing Data:**

Rated Voltage	100	kV
Phase to Ground Voltage	$\triangle D$ 58	kV
Dry Lightning Impulse 1,2/50 $\mu$ s	380	kV
Wet power frequency AC	150	kV
Routine test 1min dry 50Hz	162	kV
Rated Current	800	A
Creepage Distance	2210 $\pm$ 70	mm
Creepage Distance Protected	870	mm
Mass	35	kg

**Ordering Data:**

<b>BUSHING</b>	COLOUR AIR INSULATOR	
LF123037-K	BROWN	
LF123037-L	LIGHT GREY	
LF123037-HK	BROWN	Horizontal 45°-90°
LF123037-HL	LIGHT GREY	Horizontal 45°-90°
<b>OUTER TERMINAL</b>	Material	D L
LF 170 002-A	Cu Alloy	$\varnothing 30$ 125
LF 170 001-A	Al	$\varnothing 30$ 125
OTHER TYPES ON REQUEST		
<b>INNER TERMINAL FOR STRANDED CABLE</b>	Conductor area	D1
LF 170 011-S	up to 150mm <sup>2</sup>	$\varnothing 18$
LF 170 011-U	Undrilled with pilot hole $\varnothing 5$	
<b>For crimping or brazing</b>	Conductor area	D1
LF 170 010-M	50mm <sup>2</sup>	$\varnothing 11$
LF 170 010-N	70mm <sup>2</sup>	$\varnothing 13$
LF 170 010-L	95mm <sup>2</sup>	$\varnothing 15$
<b>SOLID ROD CONNECTOR</b>	Material	
LF 170 019 -M for Alt.1	Cu	

Approved 2020-01-08	Document Kind Outline Drawing	Based on doc.id	Work order id	Project id
Company ABB Technology Ltd	Title, Supplementary title GOB 380-800-0 WITHOUT OIL LEVEL GAUGE SHORT END SHIELD			
Responsible Department SEABB-9AAE300824	Document id 2751369-127	Status Released	Revision D	Iteration 1/1
<b>ABB</b>				