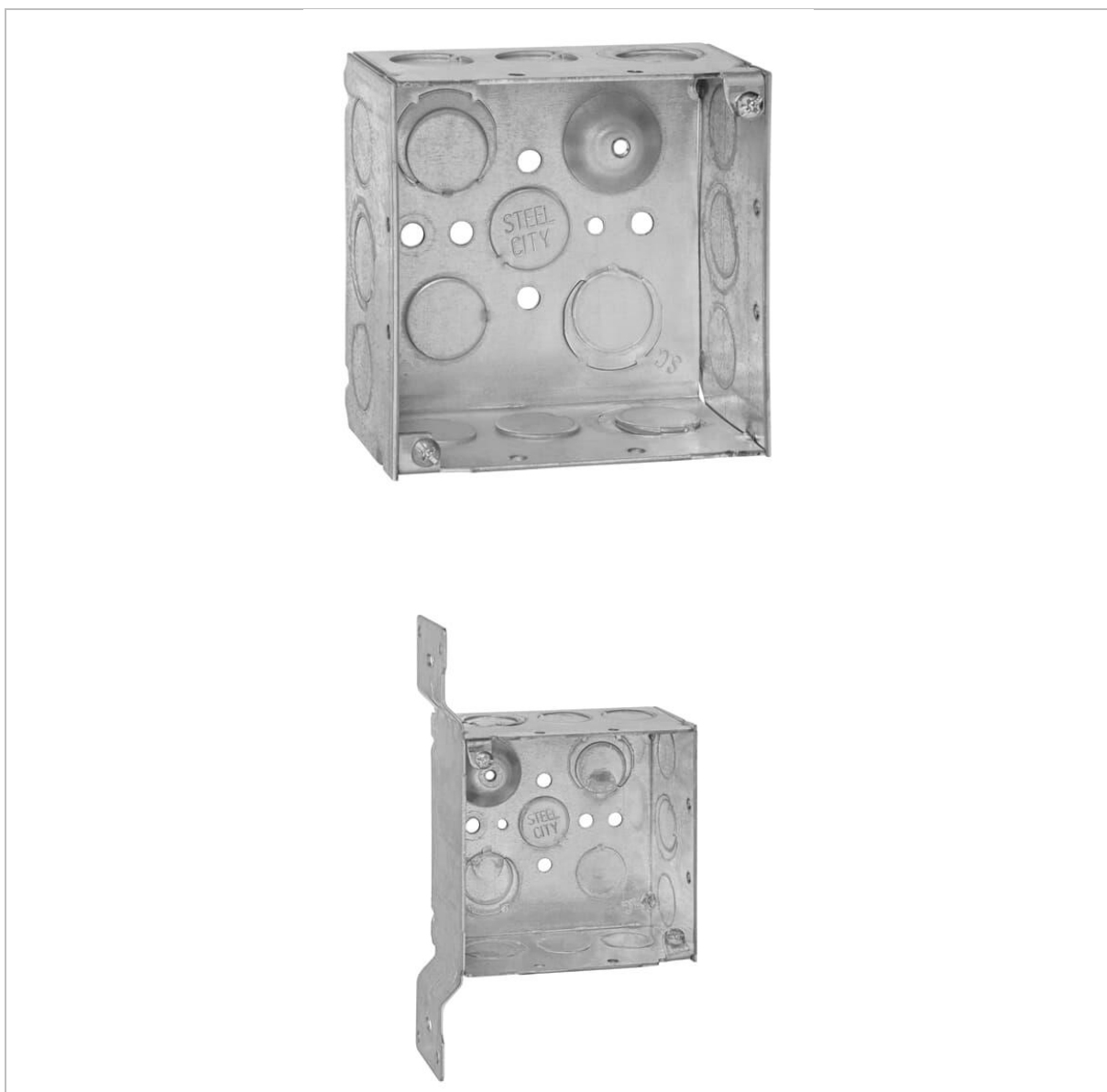


ABB ELECTRIFICATION INSTALLATION PRODUCTS

# Steel City Boxes Recycling Instructions

## 52 171 1234E and 52171CV 1/2 3/4



PREPARED 2024-08-07     Grayson Gardner	STATUS Approved	SECURITY LEVEL Public		
APPROVED 2024-10-29	DOCUMENT KIND			
OWNING ORGANIZATION ABB ELIP	DOCUMENT ID. PL-001 Steel City Boxes	REV. A	LANG. en	PAGE 1/6

# 1. Product Description

Steel City products are known for simplicity in design and innovation.

Steel City products have symbolized the highest quality standards in manufacturing and innovative design, with one of the most complete offerings of metallic switch and outlet boxes and accessories available.

Zinc-galvanizing protects Steel City switch and outlet boxes from rust and corrosion. To ensure corrosion protection of every surface, all clamps and other parts are electro-galvanized separately, before assembly in the box.

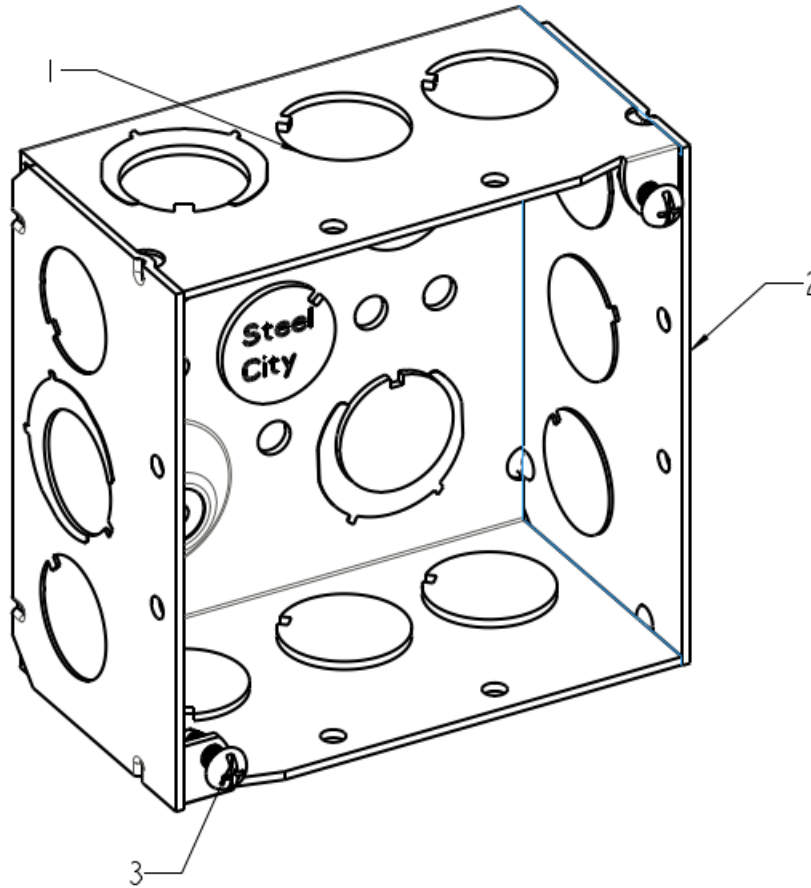
## Variants

- Material: Zinc Plated Steel
- Part Variation: Screws, Hangers, Brackets, Covers
- Size Variation: Square Box, Round Box, Ceiling Box and Covers

STATUS	SECURITY LEVEL	DOCUMENT ID.	REV.	LANG.	PAGE
Approved	Public	PL-001 Steel City Boxes	A	en	2/6

## 2. Explosion Diagram

Square Box : 52 171 1234E



## 3. Dismantling Instructions

- Remove construction material from the product
- Remove Screws
- Additional variations may have brackets, hangers, additional screws, and/or accessories that need to be removed

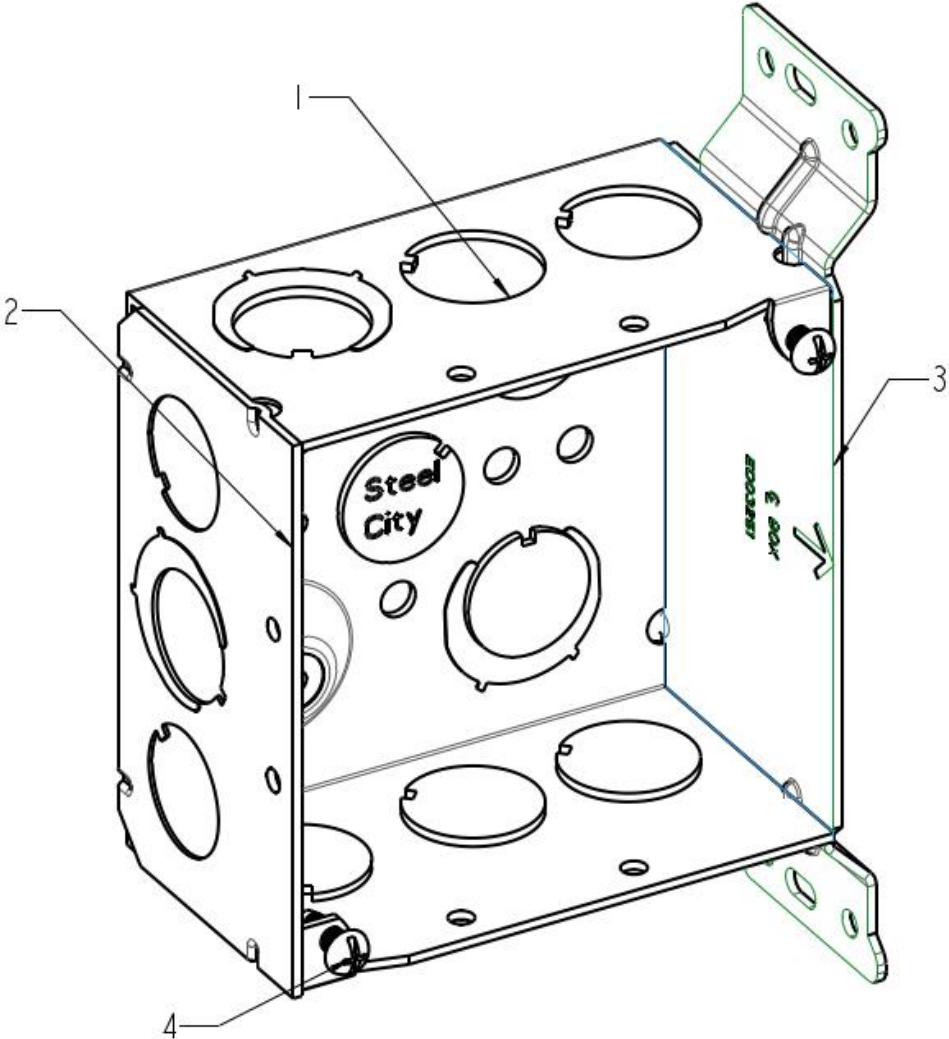
STATUS	SECURITY LEVEL	DOCUMENT ID.	REV.	LANG.	PAGE
Approved	Public	PL-001 Steel City Boxes	A	en	3/6

# 4. Weight of main recyclable materials for a Steel City Box

Part no	Material	Weight in kg	Percentage of total weight	Recyclable
1	Galvanized Steel Body	.25	64.33%	Yes
2	Galvanized Steel Sides	.136	35%	Yes
3	Screw	.0026	0.66%	Yes

# 5. Explosion Diagram

Square Box : 52171CV 1/2 3/4



STATUS Approved	SECURITY LEVEL Public	DOCUMENT ID. PL-001 Steel City Boxes	REV. A	LANG. en	PAGE 4/6
--------------------	--------------------------	---	-----------	-------------	-------------

## 6. Dismantling Instructions

- Remove construction material from the product
- Remove screws
- Remove bracket
- Additional variations may have a hanger, additional screws, and/or accessories that need to be removed

## 7. Weight of main recyclable materials for a SC steel box with Bracket

Part no	Material	Weight in kg	Percentage of total weight	Recyclable
1	Galvanized Steel Body	0.25	57.00%	Yes
2	Galvanized Steel Side	0.068	15.50%	Yes
3	Galvanized Steel Bracket	0.118	26.90%	Yes
4	Screws	0.0026	0.59%	Yes

STATUS	SECURITY LEVEL	DOCUMENT ID.	REV.	LANG.	PAGE
Approved	Public	PL-001 Steel City Boxes	A	en	5/6

## 8. Recycling Instructions

All components are recyclable where allowed. The zinc-plated steel components and accessories can be recycled together.

## 9. Disposal Instructions

Remove any construction material from the box before disassembling it and dispose of it appropriately per the appropriate guidelines.

No hazardous materials are in the metallic boxes, so they are safe to dispose of.

STATUS	SECURITY LEVEL	DOCUMENT ID.	REV.	LANG.	PAGE
Approved	Public	PL-001 Steel City Boxes	A	en	6/6