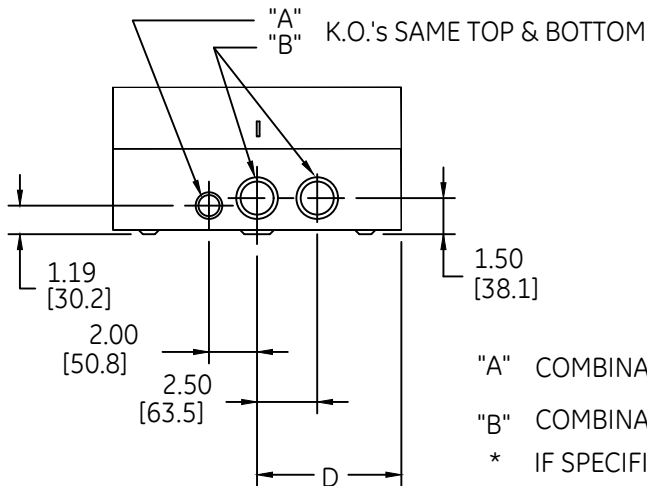
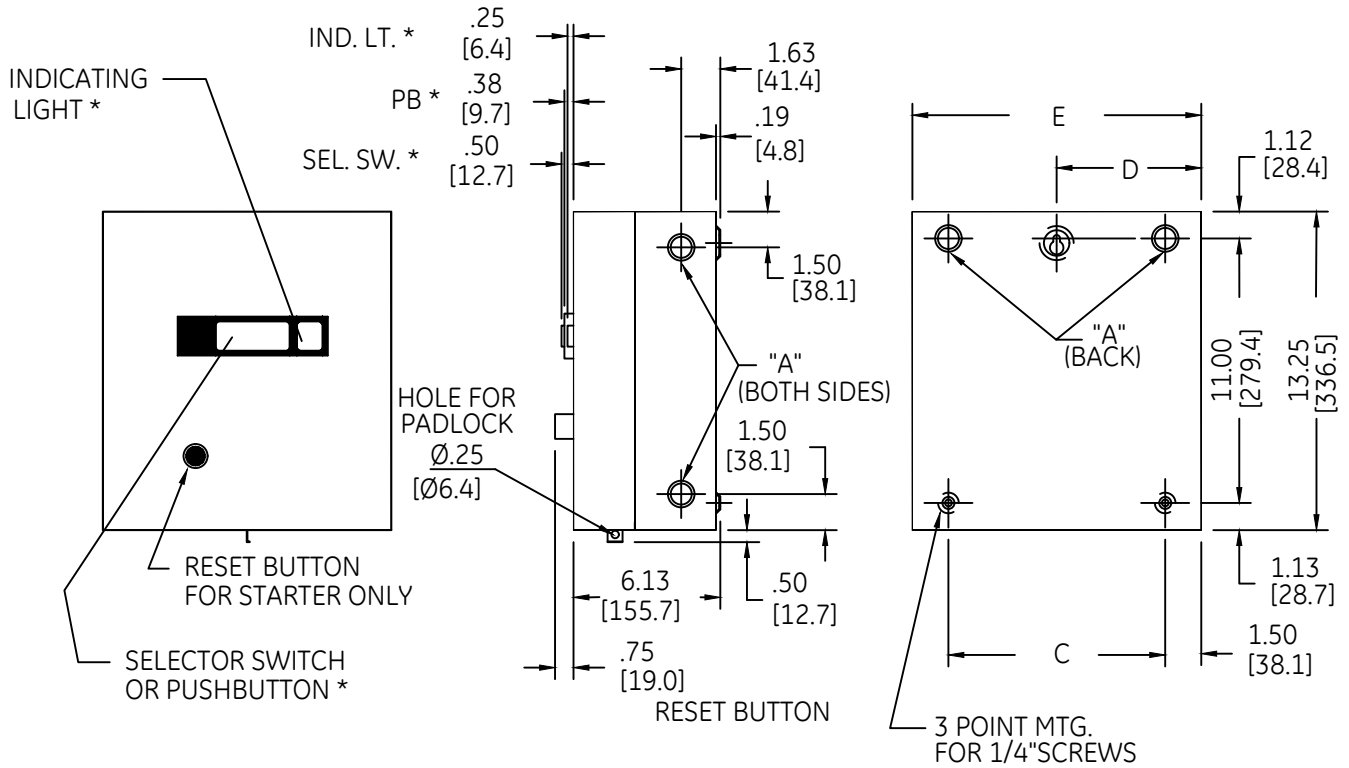


DUAL DIMENSIONS      INCHES      (ESTIMATING ONLY)  
 [MILLIMETERS]



PART	C	D	E
1	9.00 [228.6]	6.00 [152.4]	12.00 [304.8]
2	13.00 [330.2]	8.00 [203.2]	16.00 [406.4]

"A" COMBINATION KNOCKOUT FOR 1/2 or 3/4-INCH CONDUIT  
 "B" COMBINATION KNOCKOUT FOR 1 or 1 1/4-INCH CONDUIT  
 \* IF SPECIFIED



OUTLINE  
 TYPE 1 ENCLOSED

THIRD ANGLE	SHEET#	DWG NO.	DATE	REV
	1 of 1	55-178441	03/21	09