

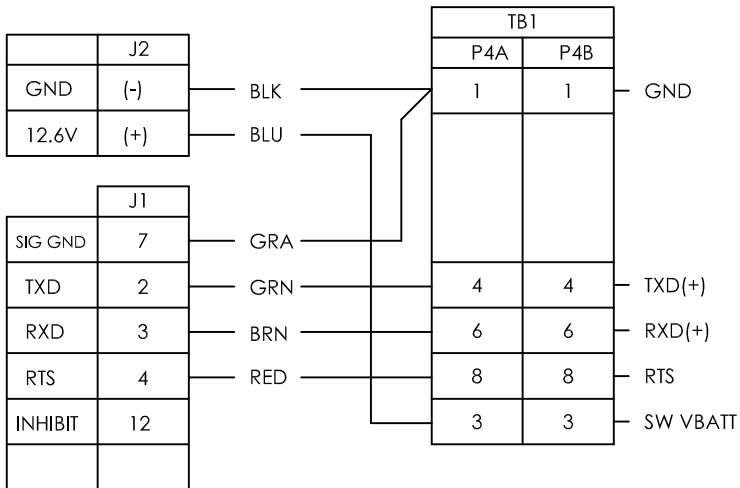
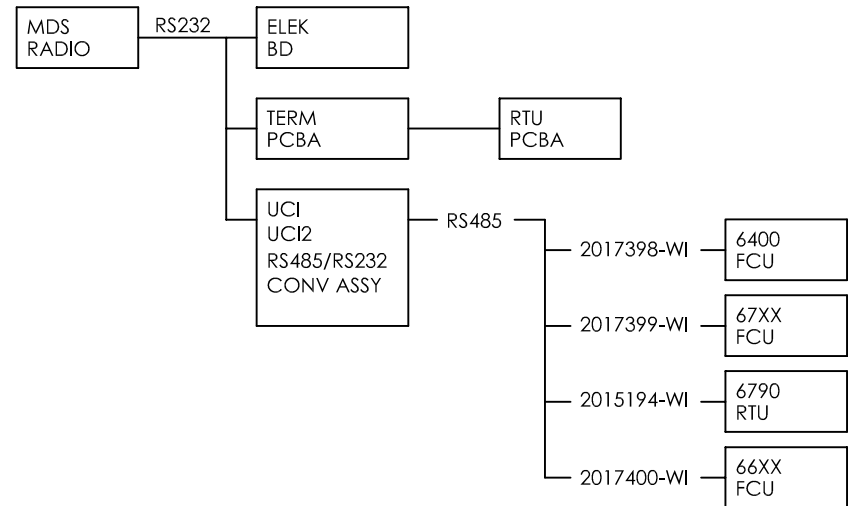
REVISIONS

REV	ACTION	DRAWN	CHECKED	APPROVED	DATE
AJ	D16206	KASTNER	KASTNER	BUSHNELL	04/08/31
AK	D17751	KASTNER	KASTNER	BUSHNELL	05/10/31
AL	D20720	KASTNER	KASTNER	BUSHNELL	07/08/30

NOTES:

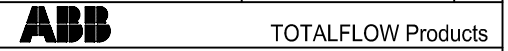
- 1 THIS COMM PORT AVAILABLE ON 2015333-XXX ONLY
- 2 MDS2310 W/MODEM BUILT PRIOR TO 1995.
- 3 CURRENT CONSUMPTION ON THE MDS2310 RADIO (BUILT IN 1995 OR LATER) MAY BE REDUCED BY 10-15 MILLI-AMPS, BY CHANGING THE WIRING. CHANGE WIRING BY: (1) REMOVING THE 560Ω RESISTOR (2) REMOVE WIRING FROM J1-12 (INHIBIT) OF THE RADIO TO TB1-1 (WHITE WIRE) (3) REMOVE BLU WIRE FROM TB1-11 AND RECONNECT TO TB1-3. WIRING INTERCONNECT WOULD NOW BE AS SHOWN BELOW.

5 WARNING!
 USING A NON-FACTORY RS232 DATA CABLE
 MAY RESULT IN DAMAGE AND
 MAY VOID SYSTEM WARRANTY.



4 JUMPERS NOT REQUIRED
 WHEN USING THESE PCBA'S

ASSEMBLY/QUANTITY		ITEM NO.	PART NUMBER	DESCRIPTION	REF/ZONE DESIG MATERIAL	UNIT MEAS
001						
DO NOT SCALE DRAWING		UNLESS OTHERWISE SPECIFIED DIMENSIONS ARE IN INCHES		PRODUCT LINE TOTALFLOW®	LEVEL 3	
THIRD ANGLE PROJECTION		TOLERANCES ARE: DECIMAL .XX ± -- ANGULAR .XXX ± --		DESIGN G. HOLLAND	DATE 01/08	
BREAK ALL SHARP CORNERS AND EDGES DIMENSIONS APPLY BEFORE FINISH				DRAWN A. KASTNER	DATE 01/08/15	
				CHECKED A. KASTNER	DATE 01/08/15	
				APPROVED G. HOLLAND	DATE 01/08/15	
				SCALE NONE	SIZE B	DWG TYPE WI
				DRAWING NO. 2100534		REV AL
				SHEET 1 OF 4		



TITLE
 WIRING & INTERCONNECT
 MDS RADIO W / MODEM TO FCU / RTU / UCI2
 WI

MDS RADIO
MDS 2310
MDS 4310
MDS 4710
MDS 9710B
MDS 9810

MODEL

ELEK PCBA

TERM PCBA

COMM
OR
I/O OPTION
PCBA

6413/6414
XFC6413/6414
XFC6713/6714

2015333-XXX
2100204-XXX

2102838-XXX
XFC G4

6413/6414
XFC6413/6414
XFC6713/6714

2015333-XXX
2100204-XXX

2102838-XXX
XFC G4

6790

2017245-XXX
2015080-XXX

2010232-XXX

6713/6714

2015382-XXX

1
RS232 COMM
MODULE OR
RS232 PCBA
EXCEPT EXPIO PCBA

6713/6714

2015382-XXX

2
RS232 COMM
MODULE

6713/6714

2015382-XXX

3
RS232 COMM
MODULE

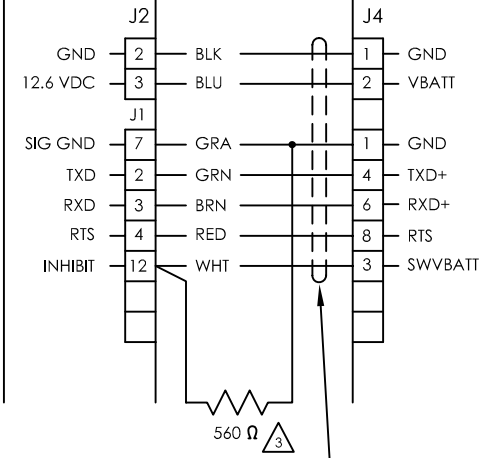
6713/6714

2015382-XXX

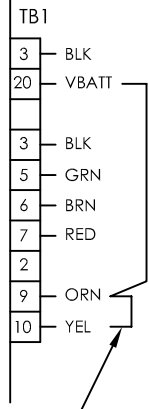
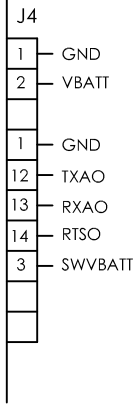
1
EXPIO PCBA
(RS232)

UFLO 6213

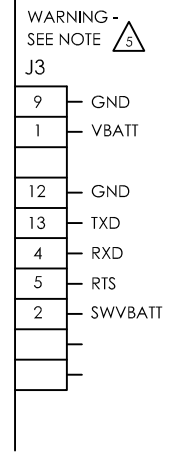
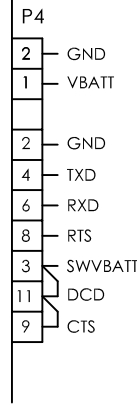
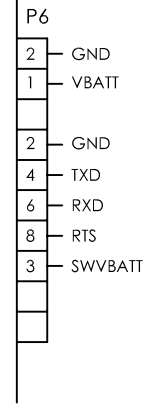
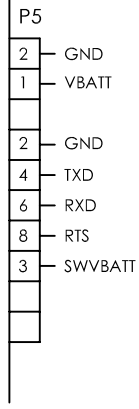
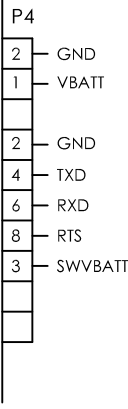
2100767-XXX
2103082-XXX
UFLO G4



2015026-005



JUMPER
2 REQD
2011753-001



WARNING -
SEE NOTE 5

USE CABLE NO.
2015026-010

MDS RADIO
MDS 2310
MDS 4310
MDS 4710
MDS 9710B
MDS 9810

MODEL
ELEK PCBA

TERM PCBA

COMM
OR
I/O OPTION
PCBA

XRC6490/6790/6890
2100035-XXX
2103022-XXX
XRC G4

1
RS232 COMM
MODULE

XRC6490/6790/6890
2100035-XXX
2103022-XXX
XRC G4

2
RS232 COMM
MODULE

UCI2
2017266-XXX

SWITCHED POWER
TO RADIO
UCI POWERED
CONTINUOUSLY

66XX
2000028-XXX
2010020-XXX
2010054-XXX
2010282-XXX
2011772-XXX
2012803-XXX

2010232-XXX

2000003-001
○ RADIO
○ MODEM
2012828-XXX
2015133-XXX

66XX
2000028-XXX
2010020-XXX
2010054-XXX
2010282-XXX
2011772-XXX
2012803-XXX

2010232-XXX

2010283-002
(VCI PCBA)
○ 232
○ TTL

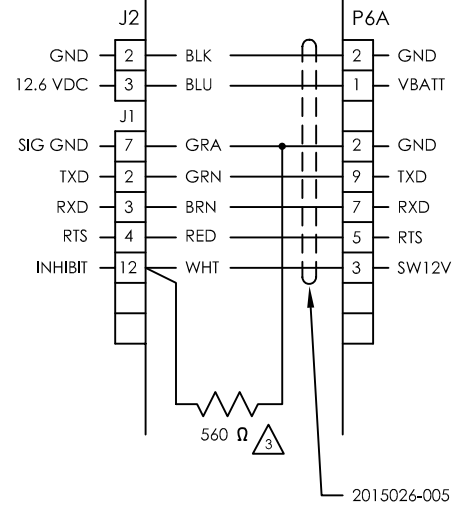
66XX
2000028-XXX
2010020-XXX
2010054-XXX
2010282-XXX
2011772-XXX
2012803-XXX

2010232-XXX

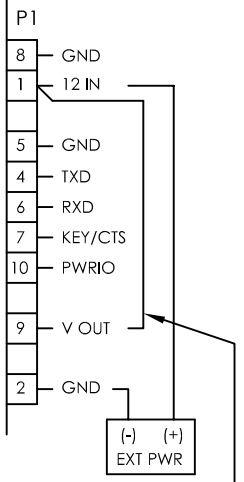
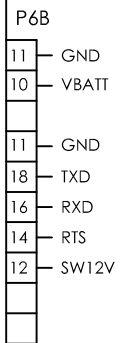
EXPIO PCBA
2011690-XXX
2012901-XXX
2015452-XXX
2017333-XXX
2017475-XXX

6470/6770
O.E.U.

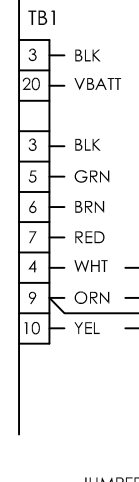
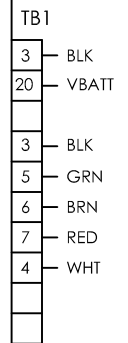
2018339-001



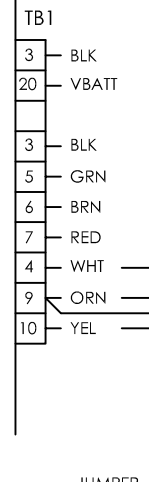
2015026-005



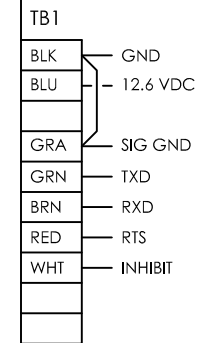
JUMPER NOT
PART OF CABLE
(2015026-005)
MUST BE SUPPLIED
SEPARATELY



JUMPER
2 REQD
2011753-001



JUMPER
2 REQD
2011753-001



MDS RADIO
MDS 2310
MDS 4310
MDS 4710
MDS 9710B
MDS 9810

MODEL
ELEK PCBA

TERM PCBA

COMM
OR
I/O OPTION
PCBA

UFLO 6213
RS232
MEASUREMENT UNIT W/PCBA
• 2100767-XXX

• 2103082-XXX
UFLO G4

W/2100888-002 OR
2101059-002
COMM TERM BD

LMC7100

2101210-XXX

1
RS232 COMM
MODULE

LMC7100

2101210-XXX

2
RS232 COMM
MODULE

UCI

RS485/RS232
CONVERTER

