

# OVRHR

## Surge protective device



### Features:

- 36 kA per phase
- UL 1449 Listed
- 10 kA I-nominal rating
- 200 kA SCCR

**Catalog number: OVRHR361202S**

### Product specifications

General specifications	
Maximum surge current	36 kA per Phase
UL type designation	Type 1
UL 1449 I-nominal rating	10 kA
UL 1449 Short circuit current rating	65 kA
Design specifications	
Custom MOV design for high energy handling in category c locations	
Thermally protected MOVs	
External parallel connected for mounting next to electrical gear	
Reduced mode of protection (L1-N, L2-N)	
Diagnostic and status monitoring specifications	
LED protection status monitoring (single LED standard)	

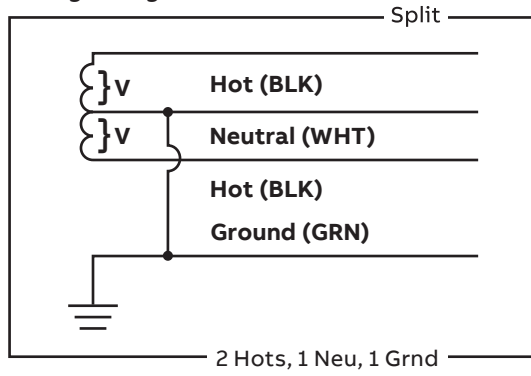
Enclosure	
Polycarbonate 4.25" × 2.41" × 2.75"	
Lid ultrasonically sealed	
NEMA 4X	
1/2 inch NPT side mount nipple	
Filtering	
NO	
Technical data	
Humidity range	0 – 95% non-condensing
Operating frequency	50 – 60 Hz
Operating temperature	-35°C to +85°C
Typical connection	18" #12 AWG (pre-wired pig tails)
UL 1449 performance data	
System voltage	L-N L-G N-G L-L SCCR MCOV
240/120 V split Ø	700 – – 1200 200 kA 180

### Standards compliance and certifications

UL 1449 5th Edition: 2021, cULus, (UL File: VZCA.E316468), ANSI/IEEE C62.41.1-2002, C62.41.2-2002, C62.45-2002, NEC Article 285  
 ISO 9001: 2014 quality management system, ISO 17025:2007 laboratory certification (UL DAP program) compliance with RoHS, REACH & California Prop 65.

100% quality tested prior to shipping

### Wiring configuration



### Size and mechanical specifications

Dimensions	4.25" × 2.41" × 2.75"
Weight	0.46 lbs
Enclosure type	Polycarbonate NEMA 4X
Installation type	Indoor / outdoor
Mounting method	Flush / flange / through-hole

### Product diagram

