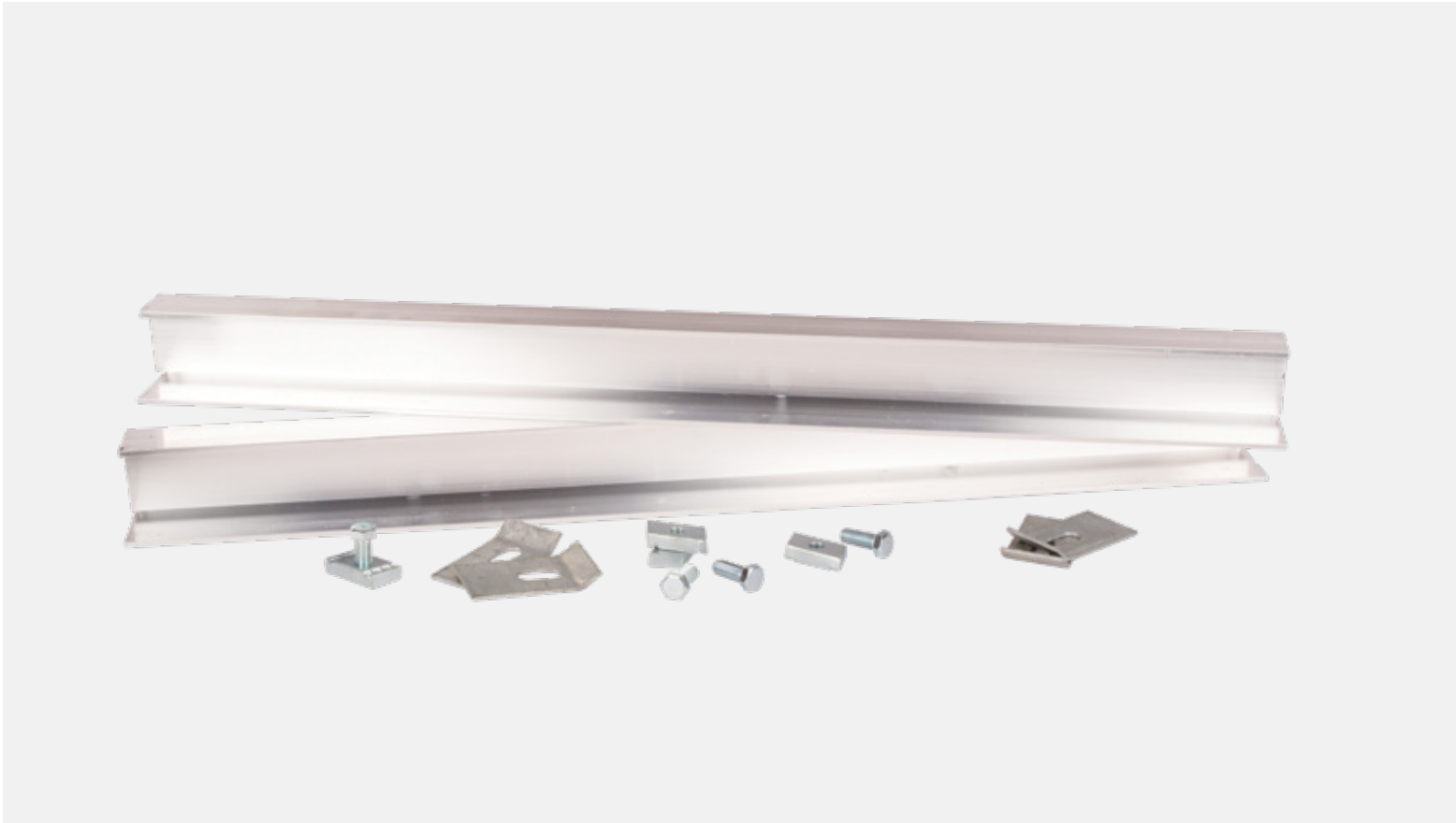


PRODUCT BROCHURE

T&B[®] Cable Tray

Over-support splice adapter



T&B Cable Tray

Over-support splice adapter

The T&B Cable Tray over-support splice adapter is designed for modular aluminum system assemblies. The adapter supports are placed right under the joints on beams and struts and allow wider distribution of support, minimizing stress and deflection of the system, and requiring no additional support.

Standard ¼ span typical installation

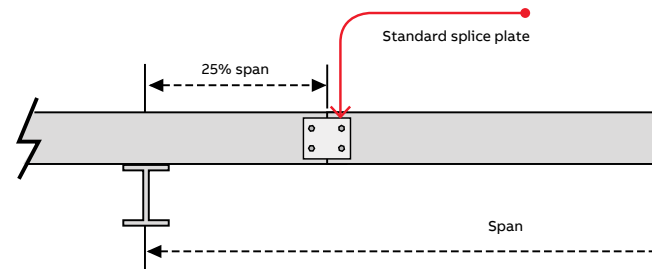
Supports are placed at ¼ span (25%).

Expansion joints need extra support at ½ span to prevent excessive deformation of the tray under heavy loads.

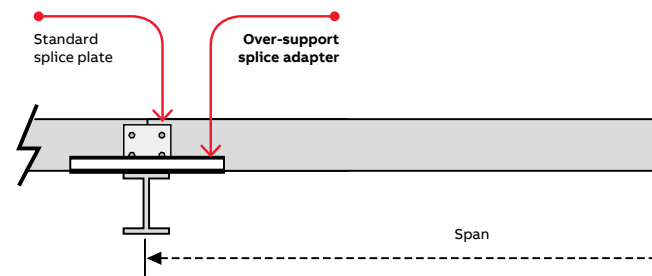
Over-support typical installation

Supports are placed right under the joints of the installation.

The splice adapter allows a wider distribution of the support, therefore minimizing the stress and deflection of the assembly.



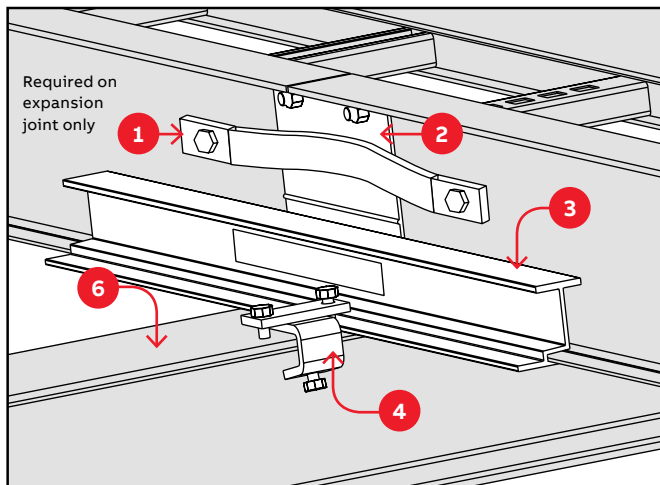
Standard ¼ span typical installation



Over-support typical installation

Over-support splice adapter

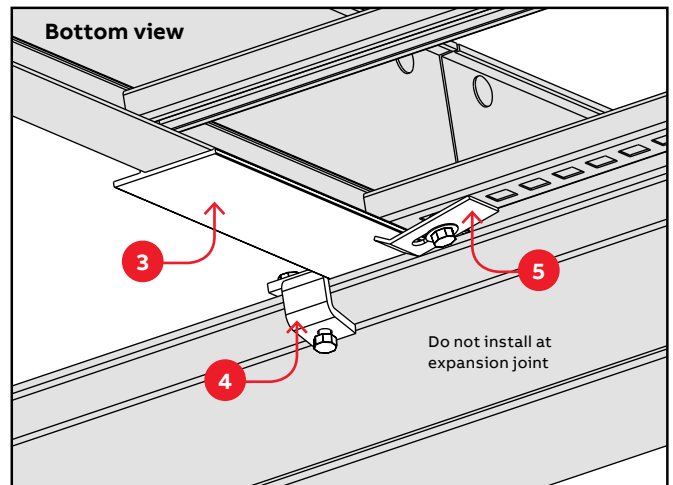
Beam installation — ABW46-OSS-B



Installation components

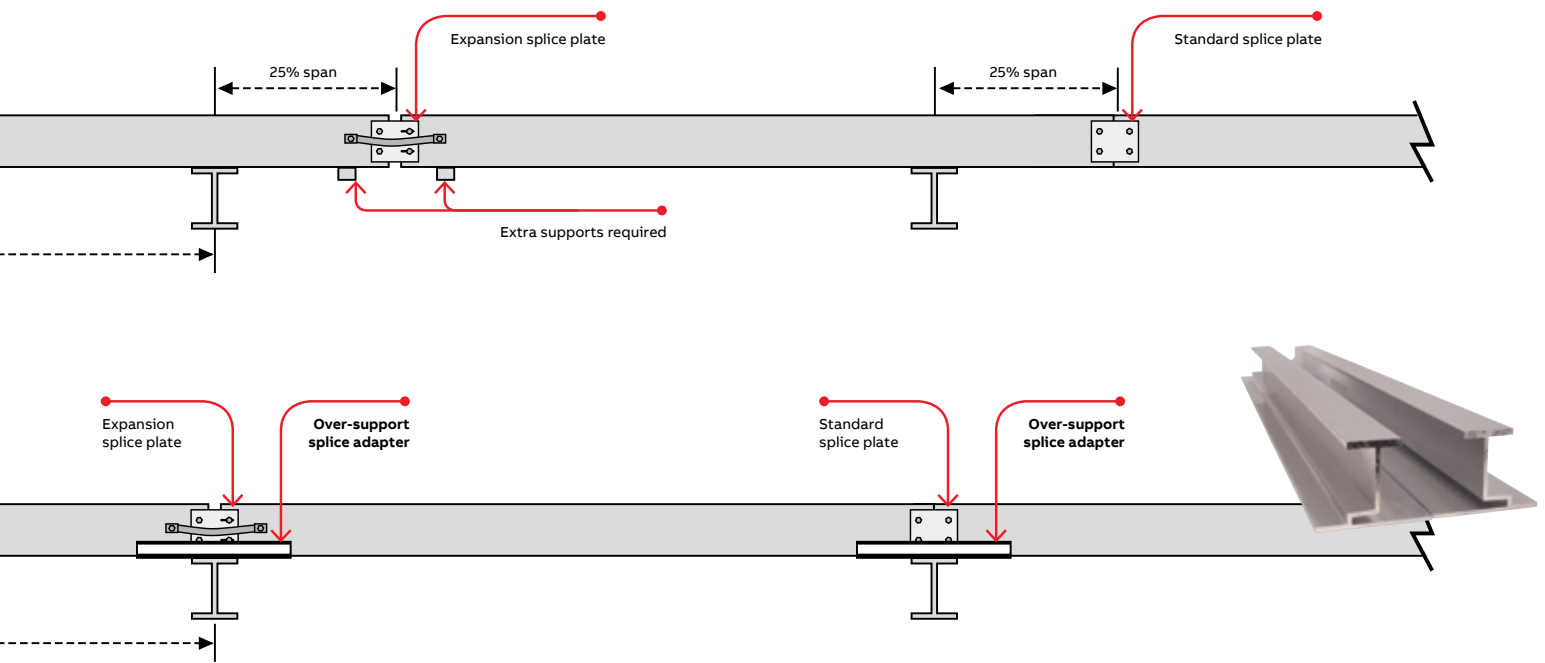
- 1. Bonding jumper
- 2. Splice plate

- 3. Over-support splice adapter



- 4. Beam clamp
- 5. Hold-down clamp

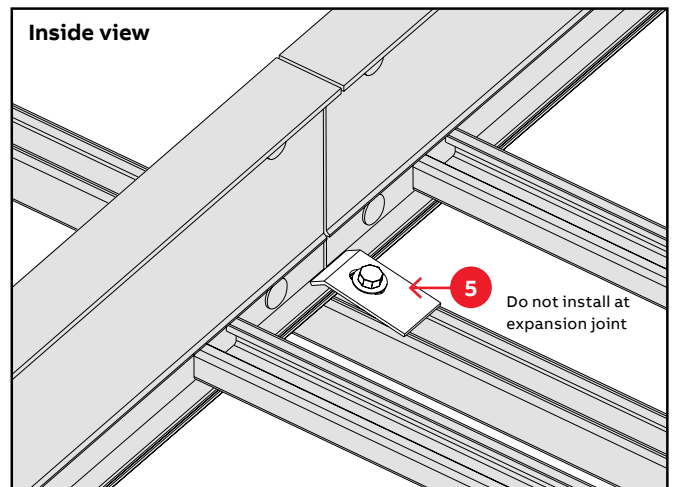
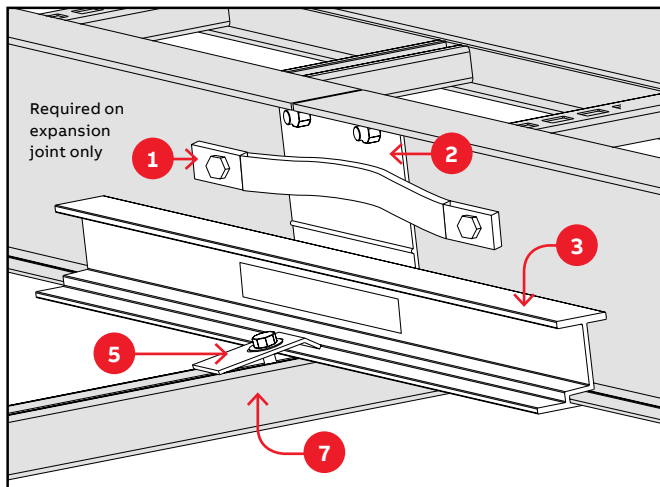
- 6. Structural beam
- 7. Strut (see right page)



Note: Independently of the installation method chosen, AU/AH46 straight sections are CSA approved for Class E loading. (100%)

NEMA VE2: Splice joints should be designed and placed so as to maximize the rigidity of the cable tray over support. Splice plates and adapters are part of a system specifically designed for placement directly over supports.

Over-support splice adapter
Strut installation — ABW46-0SS-S



Cable tray installation

- Every second splice must be an expansion joint.
- For gap setting at expansion joint, refer to NEMA chart on the back cover.
- For use with T&B Cable Tray series AH36, AH46, AH56 and AH66. Refer to Safe Load Rating chart on the back cover.
- Every joint must have a pair of over-support splice adapters (both standard splices and expansion splices).

T&B® Cable Tray

ABW46-OSS-B

Over-support splice adapter — beam installation	Qty.
Expansion over support beam 29 in.	2
SHWCCTC, heavy-duty hold-down clamp	2
HGW-SHC, standard hold-down clamp	2
E142-3/8x100EG, 3/8 in. – 16 x 1 in. hex cap screws	2
AC100-3/8EGC, 3/8 in. strut nut	2

Note: Every expansion joint requires the use of a bonding jumper such as FBD16-1 (16 in., 600 A)

ABW46-OSS-S

Over-support splice adapter — strut installation	Qty.
Expansion over support beam 29 in.	2
HGW-SHC, standard hold-down clamp	4
E142-3/8x100EG, 3/8 in. – 16 x 1 in. hex cap screws	4
AC100-3/8EGC, 3/8 in. strut nut	4

Note: Every expansion joint requires the use of a bonding jumper such as FBD16-1 (16 in., 600 A)

Over-support splice adapter — safe working load

Cable tray series	Safe load rating when used with ABW46-OSS at 20 ft. span
AH36	80 lb/ft
AH46	100 lb/ft
AH56	120 lb/ft
AH66	165 lb/ft

Expansion plate gap chart

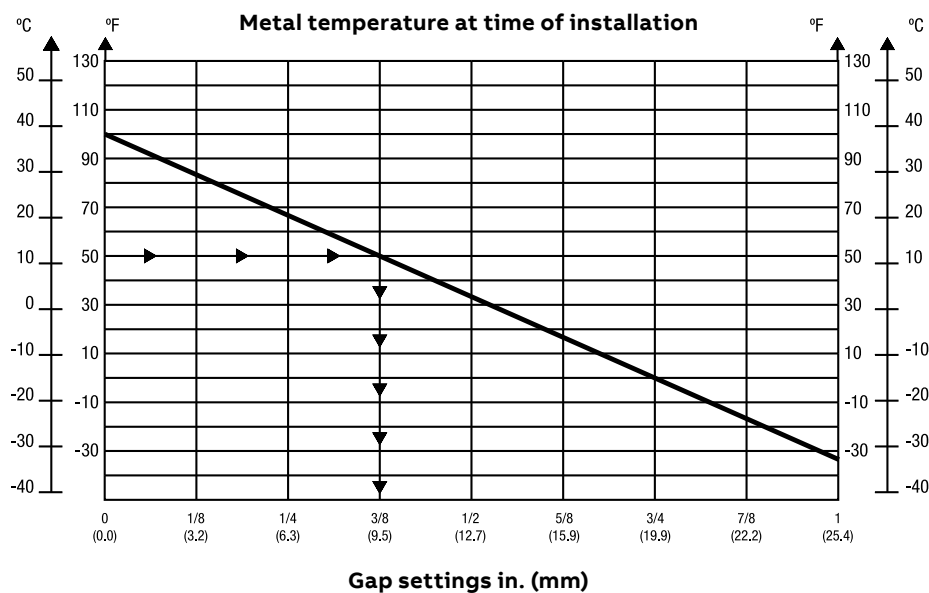


ABB Inc.
 Electrification Products
 860 Ridge Lake Blvd.
 Memphis, TN 38120
 Customer Service: 800-816-7809
 Technical Support: 888-862-3289

abb.com/lowvoltage

We reserve the right to make technical changes or modify the contents of this document without prior notice. With regard to purchase orders, the agreed particulars shall prevail. ABB Inc. does not accept any responsibility whatsoever for potential errors or possible lack of information in this document.

We reserve all rights in this document and in the subject matter and illustrations contained therein. Any reproduction or utilization of its contents – in whole or in parts – is forbidden without prior written consent of ABB Inc.
 Copyright © 2018 ABB
 All rights reserved