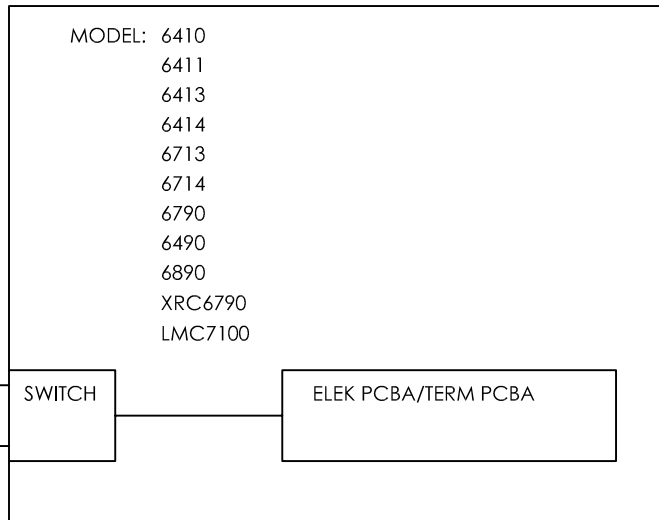

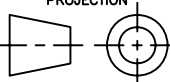
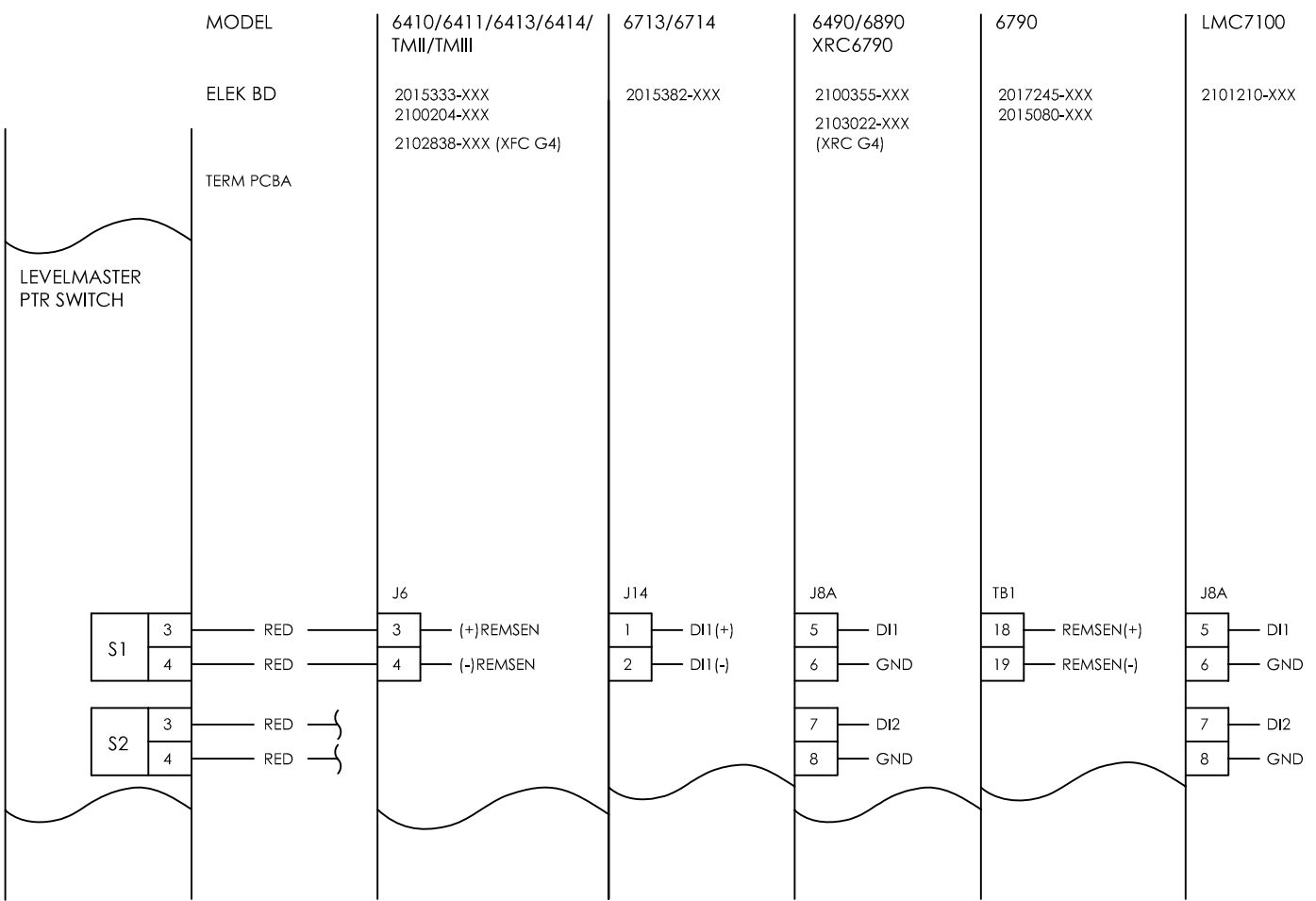


REVISIONS					
REV	ACTION	DRAWN	CHECKED	APPROVED	DATE
AD	D15671	KASTNER	KASTNER	BUSHNELL	04/04/07
AE	D20715	KASTNER	KASTNER	BUSHNELL	07/08/29
AC	D13989	KASTNER	KASTNER	BUSHNELL	02/11/14



ASSEMBLY/QUANTITY		ITEM NO.	PART NUMBER	DESCRIPTION	REF/ZONE DESIG MATERIAL	UNIT MEAS
		001				
DO NOT SCALE DRAWING		UNLESS OTHERWISE SPECIFIED DIMENSIONS ARE IN INCHES		PRODUCT LINE TOTALFLOW®	LEVEL 3	
THIRD ANGLE PROJECTION		TOLERANCES ARE: DECIMAL ANGULAR .XX ± -- ± -- .XXX ± --		DESIGN G. HOLLAND	DATE 01/07	 TOTALFLOW Products WIRING INTERCONNECT LEVELMASTER PTR SWITCH TO FCU / RTU / LMC WI
		BREAK ALL SHARP CORNERS AND EDGES DIMENSIONS APPLY BEFORE FINISH		DRAWN A. KASTNER	01/07/23	
				CHECKED A. KASTNER	01/07/23	
				APPROVED G. HOLLAND	01/07/23	SCALE SIZE DOC TYPE DRAWING NO. REV SHEET NONE B WI 2100488 AE 1 OF 3



MODEL
ELEK BD

6790

TERM PCBA

2017220-XXX

LEVELMASTER
PTR SWITCH

