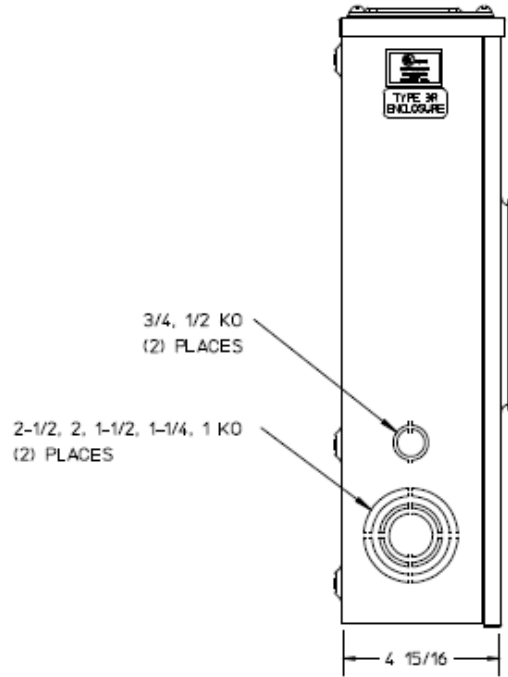
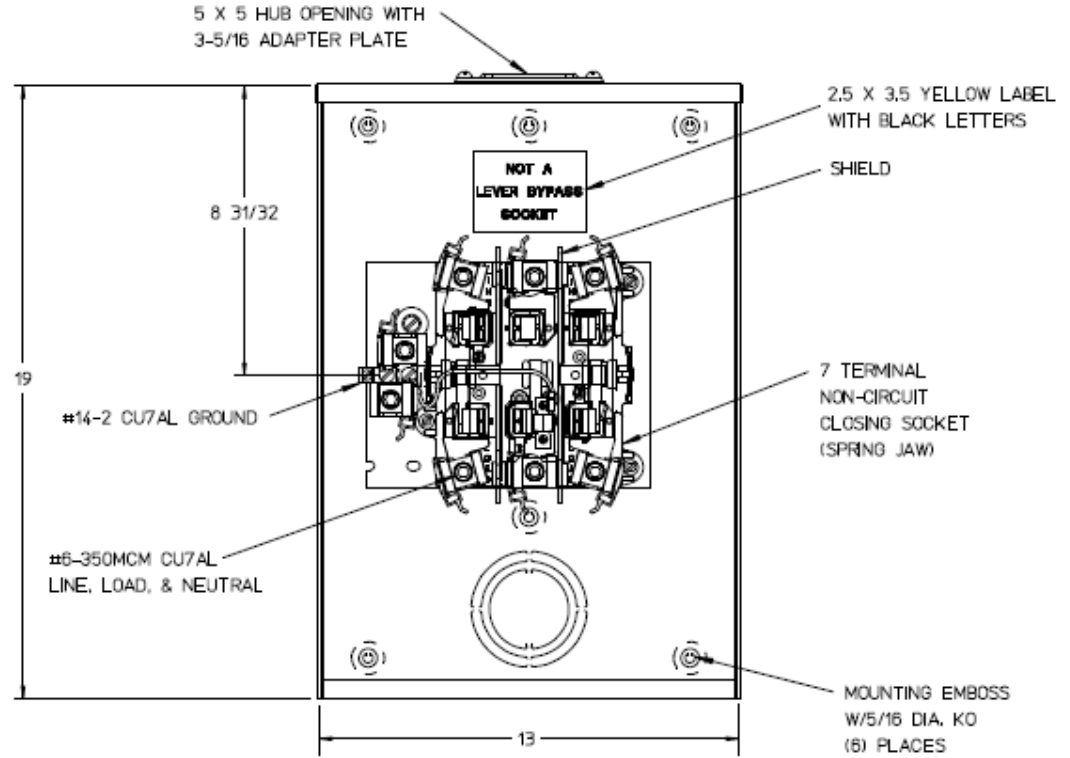


Side View



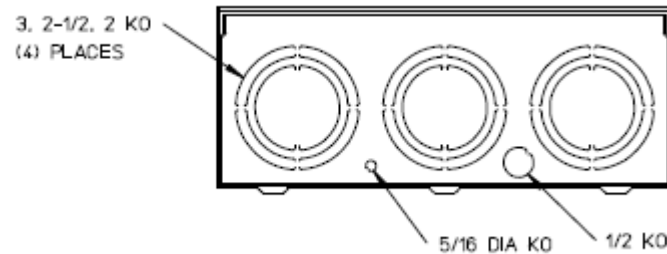
Front View



Notes

- 1) FINISH: GRAY
- 2) CABINET: 16GA GALV. STEEL
- 3) 200AMP CONTINUOUS
600 VAC, 3 PHASE, 4-WIRE
- 4) MIDWEST LABEL ATTACHED TO THE END OF CARTON.
- 5) TEMPORARY CARDBOARD METER OPENING COVER PROVIDED.
- 6) MIDWEST LOGO STAMPED IN THE LOWER LEFT-HAND CORNER OF FRONT.
- 7) 3-5/16 HUB COVER PLATE ASSEMBLY PACKED INSIDE OF UNIT.

Bottom View



METER SKT 1-200A 600V 3P4W 16GA STL N3R 7-TERM
TPLX GRD LRG HBOP TOP/BOTTOM FEED

CAT NO	DWG DATE	REV #
1009097MEP	02/16/2018	01