

General Purpose Enclosures

APO - Accessories

Product	Type	Order code	Pack
Polystyrene closure plates			
PG/Metric specifications	Width		
4xM20/16 + 1xM32/25	185	APEP185 4TBO856096C0100	1
2xM32/25 + 3xM25/M20 + 4xM20/16	300	APEP35 4TBO856131C0100	1
9xM25/20	300	APEP31 4TBO856097C0100	1
2xM50/40 + 2xM25/	300	APEP32 4TBO856098C0100	1
13xM20/16	300	APEP33 4TBO856099C0100	1
3xM40/32 + 2xM20/16	300	APEP34 4TBO856100C0100	1
1xM40/32 + 10xM25/20	370	APEP371 4TBO856101C0100	1
13xM25/20	370	APEP372 4TBO856102C0100	1

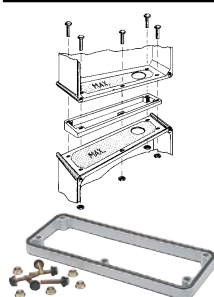


Product	Type	Order code	Pack
Solid polyester closure plates			
	Width		
	185	APEP185 4TBO856096C0100	1
	300	APEP35 4TBO856131C0100	1
	370	APEP31 4TBO856097C0100	1



Dimensions for maximum cut-out, see Technical Guide

Product	Type	Order code	Pack
Coupling frames			
Made of glass fiber-reinforced polyamide.			
- Supplied with a template.			
- The slimmest section of the frame must be mounted toward the front of the base.			
- The maximum obtainable passage between two bases is that indicated by the template.			
The required number of openings may be applied within this space.			



Width

185	APCF185	4TBO856106C0100	1
300	APCF3	4TBO856107C0100	1
370	APCF37	4TBO856108C0100	1

Dimensions for maximum cut-out, see Technical Guide

For walls	Type	Cable max. Ø (mm)	Number of clamps supplied	Made of polyester
300	APO31	1 x 75	1	AP31CEB 4TBO856115C0100
300	APO31	2 x 75	2	AP31CEB2 4TBO856116C0100
300	APO41	1 x 75	1	AP41CEB 4TBO856117C0100
300	APO61	1 x 75	1	AP61CEB 4TBO781936C0100
300	APO71	1 x 71	1	AP71CEB 4TBO781937C0100
370	APO71	3 x 75	1	AP71CEB2 4TBO856118C0100




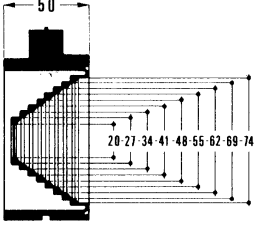
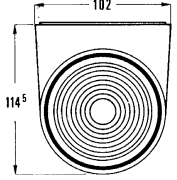
Dimensions, see Technical Guide

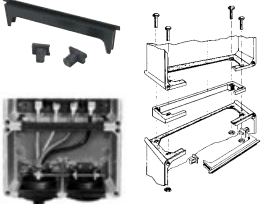
Product	Type	Order code	Pack
Cable grip clamps⁽¹⁾			
For attaching directly inside the cable end box.			
Cable max. Ø: 75mm			
Used on APO 31 and APO 71			
For 185, 300 and 370 mm enclosures			
	AP31CC75	4TBO851105C0100	1
Universal cable grip clamp			
Cable max. Ø: 75mm			
Used on APO 41			
For 300, 370 and 600mm enclosures			
	AP41CC75	4TBO851110C0100	1
Additional bracket for attaching to the clamp support.			
Cable max. Ø: 75mm			
	APCC75	4TBO851111C0100	1


(1) See Technical Guide


General Purpose Enclosures

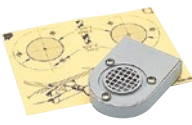
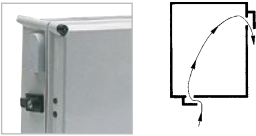
APO - Accessories

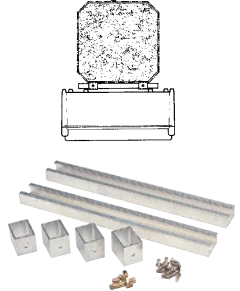
Product	Type	Order code	Pack
Rubber cable entry			
- For direct mounting - Supplied with a template			
	APRCS	4TBO851106C0100	1
			
			
For creating cable end. Cable max. Ø: 75mm			


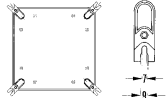
Product	Type	Order code	Pack
Cable routing insert			
Makes connecting large-section cables simple while maintaining the original level of protection.			
	For 300mm side.		
	APBR3	4TBO851103C0100	1
	For 370mm side.		
	APBR37	4TBO851112C0100	1


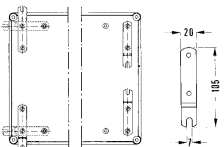
Product	Type	Order code	Pack
Locks⁽¹⁾			
Supplied with drilling template and mounting accessories.			
	Handle with 2 keys V2432E		
	APL2432E	4TBO852020C0100	1
(1) Not for use with pivoting cover			

Product	Type	Order code	Pack
Locks without handle			
Supplied with drilling template and mounting accessories.			
	With 8mm square key		
	APLSQR	4TBO852021C0100	1
	With 8mm triangular key		
	APLTRI8	4TBO852022C0100	1
	With 11mm triangular key		
	APLTRI11	4TBO852024C0100	1
	With 3mm double-bit key		
	APLDB	4TBO852023C0100	1

Product	Type	Order code	Pack
IP44 Vent			
Install 2 vents per enclosure for ventilation to prevent the formation of condensation. Supplied with a template and fixings. Recommended installation: one vent at the highest and lowest points on each side of the enclosure.			
	Set of 2 polyamide pieces. RAL 7035		
	PS833677	4TPB833677C0100	1
			

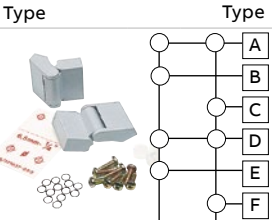
Product	Type	Order code	Pack
Pedestal mounting			
- The C profiles are mounted directly to the rear of the base using the bosses provided. - The brackets may be distributed along the length of the C profile according to the width of the pedestal.			
	Set of 2 C profiles and screws. For enclosure 300 and 370mm side.		
	APPM	4TBO890510C2100	1

Product	Type	Order code	Pack
Fixing lugs			
Set of 4 supports and screws, in glass fiber-reinforced polyamide.			
	- For external mounting points. - Direct mounting through the 4 corner holes of the enclosure. - If using depth extension frames, first attach the supports. - Max equipment weight: 100 kg.		
			
	APMBPA	4TBO851266C0100	1

Product	Type	Order code	Pack
Set of 4 stainless supports and screws (304-type)			
	- For very severe operating conditions. - The 4 brackets are mounted directly onto the rear of the base in the section that is reinforced for this purpose. - Mounting by means of M4 threaded inserts (provided). - Max equipment weight: 100 kg.		
			
	APMBRVS	4TBO852025C0100	1

General Purpose Enclosures

APO - Accessories

Product	Type	Order code	Pack
Hinges			
Type	Type	Hinges	
	A	A	
	B	B	
	C	C	
	D	D	
	E	E	
	F	F	
	A	APHA	4TBO856109C0100 1
	B	APHB	4TBO856110C0100 1
	C	APHC	4TBO856111C0100 1
	D	APHD	4TBO856112C0100 1
	E	APHE	4TBO856113C0100 1
	F	APHF	4TBO856114C0100 1

Options table

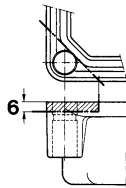
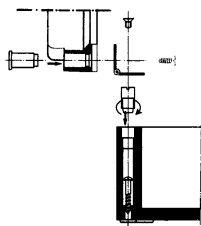
Back box

Options table	Back box	Description
APO 31-41-71-51	A	- If hinges are to be installed, the cover and the base or the depth extension frame must be drilled. Drilling templates are provided; the type to be used will obviously depend on the combination selected. - As a result, there is a range of 6 kits comprising 2 hinges, fixing hardware, drilling template, instructions and optional reinforcement plates.
81-61-11-12	A	
Polyester cover	A	
Polyester cover + depth extension frame	B	C
Polycarbonate cover	D	D
Polycarbonate cover + depth extension frame	E	F

Stainless hinges



Set of 2 steel hinges (complete with accessories)
APHRVS 4TBO851268C0100 1



For installation, the cover must be milled along the dotted line to a depth of 6 mm (see diagram).

Cover screws



Cover screws
APCS 4TBO851255C0100 50

Clip-in button

For cover or strip hinge screws



Set of 50 pieces
APCS5 4TBO851259C0100 1
Set of 2 pieces
APCS2 4TBO851258C0100 1

Product	Type	Order code	Pack
Strip hinges			



Set of 2 pieces
APHS 4TBO851256C0100 1

Warning: the base must be secured before mounting strip hinges.

Blanking screws with triangular head (TTR)

For fixed cover



Set of 2 pieces
APHSTTR 4TBO851262C0100 1

For pivoting cover



Set of 2 pieces
APHSTTRD 4TBO852016C0100 1

Wrench

For triangular head screw (TTR)



APTTRK 4TBO851016C0100 1

Sealing plate



Set of 2 pieces
APSP 4TBO851260C0100 1

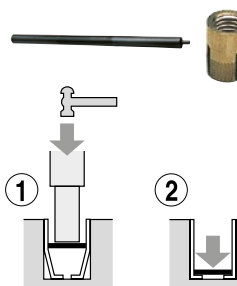
Padlock installation kit



APPL 4TBO852004C0100 1

Maximum shackle diameter: 8mm

Inserts



M4 Dodge-type
APTIM4 4TBO851026C0100 100
M6 Dodge-type x 12.5mm
APTIM6 4TBO851371C0100 100
M4 punch
APTIM4T 4TBO851027C0100 1
M6 punch
APTIM6T 4TBO852003C0100 1