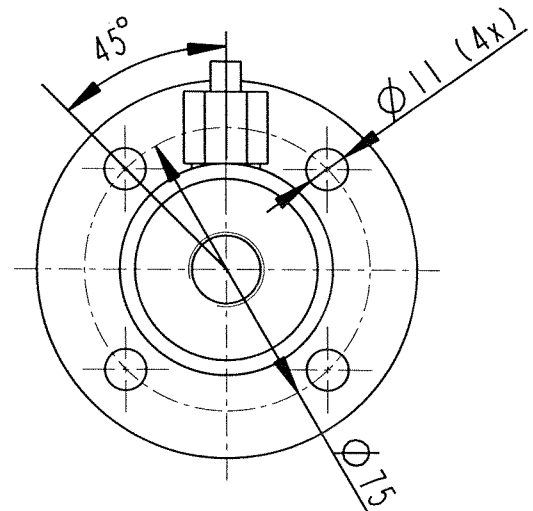
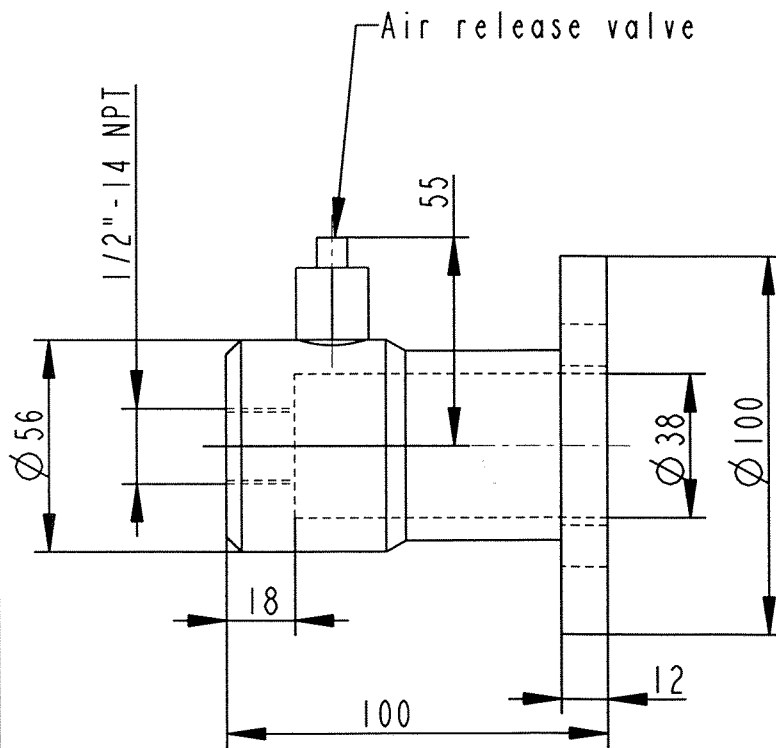
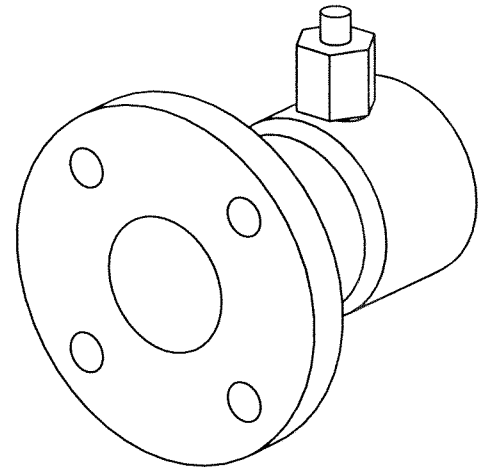




We reserve all rights in this document and in the information contained therein. Reproduction, use or disclosure to third parties without express authority is strictly forbidden. ©ABB



Inspection engineering review
 Design engineering review
 Production engineering review

Based on	Reg. No.	THERMOSWITCH HOUSING TERMOKONTAKTHUS	 Language en	
Prepared A Andersson 01-01-09	Responsible department COM/TK			Page 1(1)
Approved M Eriksson	Take over department			
Revision	Database DIMENSION_DWGS			Document No. 54920083-22
 ABB Components				