

## SCV

### Indoor current transformer



The SCV current transformer is suitable for use in relaying and metering applications including, but not limited to, various types of medium voltage switchgear.

#### Product features

- 600 volt, indoor, 10 kV BIL
- 25 - 400 Hertz
- Mechanical rating: 180 x rated current
- Thermal rating: 80 x rated current, one second
- Approximate weight: 29 lbs (13 kg)

#### Application

The SCV current transformer is suitable for use in relaying and metering applications including, but not limited to, various types of medium voltage switchgear.

#### Construction features

The ring-type core is insulated and toroidally wound with a fully distributed secondary winding. The protective case, made of an impact-resistant polycarbonate, is assembled using self-tapping screws.

#### Secondary terminals

Secondary terminals are 10-32 brass terminal screws with hardware. Space is available for a maximum of five terminals to accommodate multi-ratio designs.

#### Curves

Saturation, overcurrent, ratio correction factor, and phase-angle curves are available upon request.

#### Testing

IEEE test reports are stored electronically and can be e-mailed in various formats at the time of shipment.

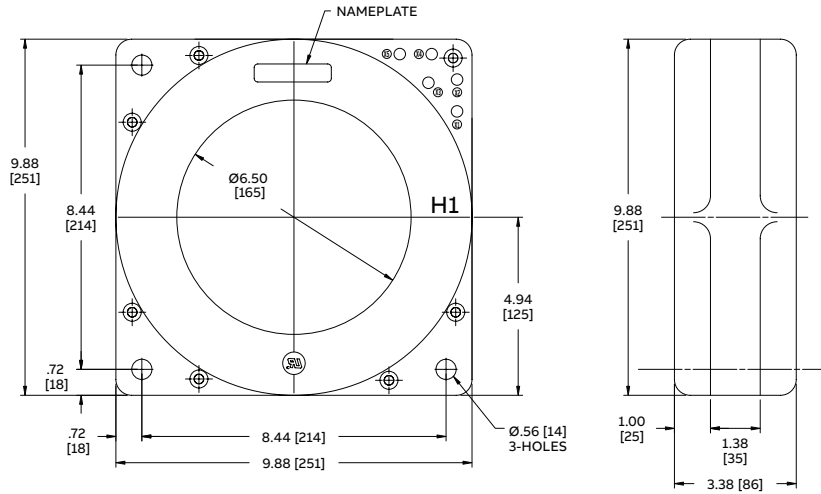
#### Standards

This unit meets all applicable IEEE and NEMA standards.

#### UL Recognized Component

The SCV is a UL Recognized Component (file number E96461).

## Unit dimensions (inches [mm])



### SCV selection guide

Primary ampere rating	Rating Factor		IEEE metering accuracy @ 60 Hz					IEEE relaying accuracy @ 60 Hz	Style number
	30° C	55° C	B-0.1	B-0.2	B-0.5	B-0.9	B-1.8		
75	2.0	1.5	2.4	2.4	-	-	-	C10	7527A70G20
100	2.0	1.5	1.2	2.4	-	-	-	C10	7527A70G01
150	2.0	1.5	0.6	1.2	2.4	-	-	C20	7527A70G02
200	2.0	1.5	0.6	0.6	1.2	-	-	C20	7527A70G03
250	2.0	1.5	0.6	0.6	1.2	2.4	-	C20	7527A70G04
300	2.0	1.5	0.3	0.6	1.2	1.2	2.4	C20	7527A70G05
400	2.0	1.5	0.3	0.3	0.6	1.2	1.2	C50	7527A70G06
500	2.0	1.5	0.3	0.3	0.3	0.6	1.2	C50	7527A70G07
600	2.0	1.5	0.3	0.3	0.3	0.6	0.6	C100	7527A70G08
800	2.0	1.5	0.3	0.3	0.3	0.3	0.6	C100	7527A70G09
1000	2.0	1.5	0.3	0.3	0.3	0.3	0.3	C100	7527A70G10
1200	2.0	1.5	0.3	0.3	0.3	0.3	0.3	C200	7527A70G11
1500	2.0	1.5	0.3	0.3	0.3	0.3	0.3	C200	7527A70G12
2000	2.0	1.5	0.3	0.3	0.3	0.3	0.3	C200	7527A70G13
2500	2.0	1.5	0.3	0.3	0.3	0.3	0.3	C200	7527A70G14
3000	2.0	1.5	0.3	0.3	0.3	0.3	0.3	C200	7527A70G15
4000	2.0	1.5	0.3	0.3	0.3	0.3	0.3	C200	7527A70G16
<b>Multi-ratio, IEEE, 5 terminals</b>									
600	2.0	1.5	0.3	0.3	0.3	0.6	0.6	C100	7525A38G01
1200	2.0	1.5	0.3	0.3	0.3	0.3	0.3	C200	7525A38G02
2000	2.0	1.5	0.3	0.3	0.3	0.3	0.3	C200	7525A38G03
3000	2.0	1.5	0.3	0.3	0.3	0.3	0.3	C200	7525A38G04
4000	2.0	1.5	0.3	0.3	0.3	0.3	0.3	C200	7525A38G05

Additional styles available upon request. Contact your ABB sales representative or call +1-252-827-3212 for more information regarding styles and accuracies.