

BOTTOM VIEW OF MOUNTING AND CABLE ENTRANCE


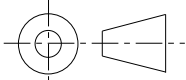
CUSTOMER TERMINATION			
LOCATION	CONNECTION TYPE	HOLE SIZE	HOLE QTY
PRIMARY BUS BARS	STANDARD BUS BAR (LUGS ARE OPTIONAL)	.40 [10.2] DIA	2 PER BUS BAR
SECONDARY BUS BARS			

APPROX TOTAL WEIGHT LBS [KG]
PAINTED: 790 [358]
STAINLESS STEEL: 870 [395]

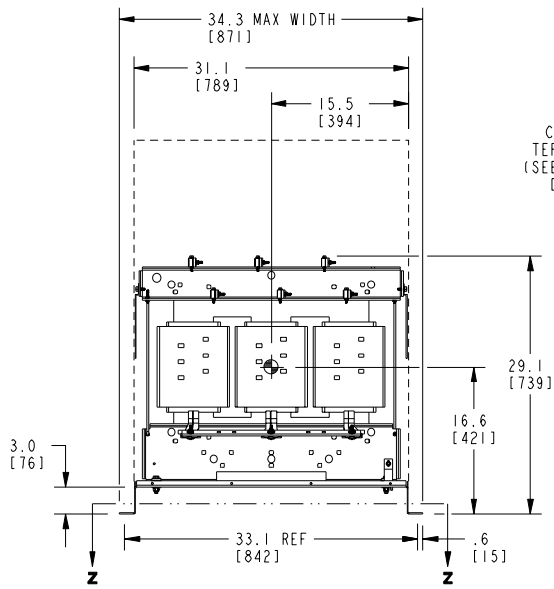
kVA RATING:
K-FACTOR:
PRI VOLTAGE:
SEC VOLTAGE:
FREQ (Hz):
TEMP RISE:
WINDING MATL:
ES SHIELD:
SOUND LVL (dB):

NOTES:

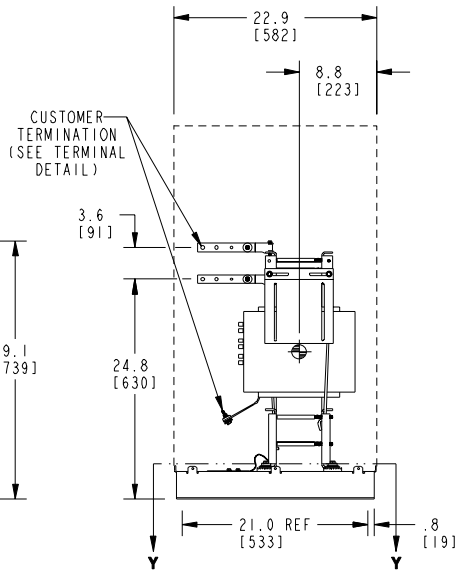
- 1) ALL UNITS ARE UL LISTED AND ARE DESIGNED PER NEMA ST-20 STANDARDS.
- 2) THE TEMPERATURE RISE LISTED WAS DETERMINED WHEN THE TRANSFORMER WAS MOUNTED IN A STANDARD NEMA-2 ENCLOSURE.
- 3) TRANSFORMER IS DESIGNED FOR FLOOR MOUNTING. OPTIONAL WALL MOUNTING BRACKETS ARE AVAILABLE.
- 4) TRANSFORMER IS DRY TYPE, CLASS AA, WITH VENTILATED ENCLOSURE FOR INDOOR USE. OPTIONAL RAIN SHIELD KITS ARE AVAILABLE TO ADAPT UNIT FOR TYPE 3R OUTDOOR USE WITHOUT VOIDING THE WARRANTY.
- 5) APPLICABLE WHEN OPTIONAL RAIN SHIELDS ARE INSTALLED. RAIN SHIELDS ARE SHIPPED IN KITS FOR FIELD INSTALLATION.
- 6) CABLE ENTRANCE IS PERMITTED THROUGH THE LEFT SIDE, RIGHT SIDE AND/OR BOTTOM ENTRANCE ONLY. CABLE ENTRANCE IS NOT PERMITTED THROUGH THE FRONT, REAR OR TOP PANELS.
- 7) FOR LIFTING OTHER THAN WITH A FORK TRUCK, REMOVE TOP COVER AND USE 1" [25 MM] DIAMETER HOLES IN THE TOP CORE CLAMPS.
- 8) ENCLOSURE PAINT COLOR IS ANSI #61 GRAY.
- 9) 6" [152 MM] MINIMUM CLEARANCE IS REQUIRED FROM ALL WALLS.
- 10) USE THIS DIMENSION WHEN PLANNING THE MOUNTING PAD.

JOB NAME:	UNLESS OTHERWISE SPECIFIED ALL DIMENSIONS ARE INCH [MM]	 DRY TYPE TRANSFORMER OUTLINE DRAWING TYPE QL, 3-PHASE, DOE 2016 EFFICIENCY (ENCLOSED UNIT)	
	THIRD ANGLE PROJECTION		
electrification.us.abb.com		CATALOG #	REV 2
CAD DRAWING: 303B111GEDYP75C	SHEET 1 OF 2		

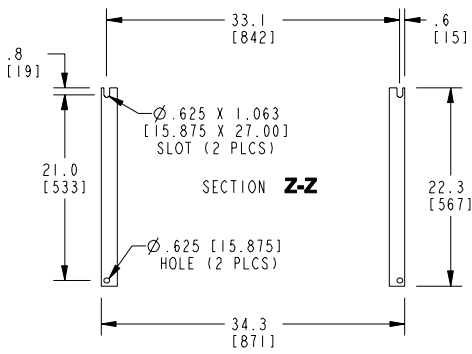
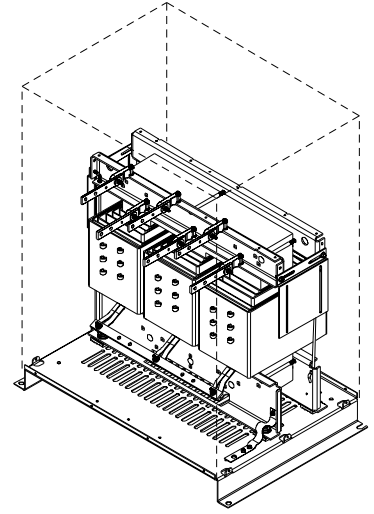
FRONT VIEW



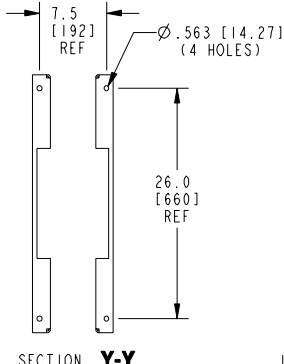
SIDE VIEW



ISOMETRIC VIEW

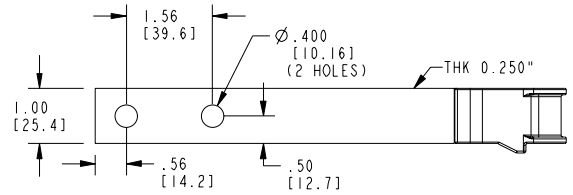


BOTTOM VIEW OF MOUNTING HOLE PATTERN

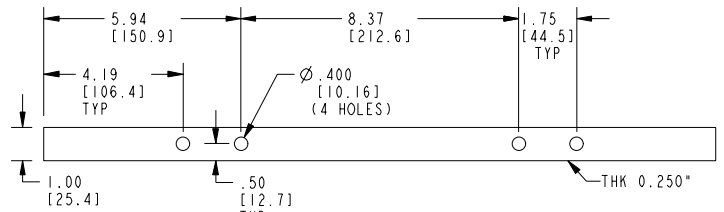


BOTTOM VIEW OF MOUNTING HOLE PATTERN WITHOUT BASE ATTACHED

TERMINAL DETAIL



Xs & Hs TERMINAL



X0 TERMINAL

CONNECTION TYPE: STANDARD BUS BAR (LUGS ARE OPTIONAL).

APPROX TOTAL WEIGHT LBS [KG]
PAINTED: 660 [299]

kVA RATING:
K-FACTOR:
PRI VOLTAGE:
SEC VOLTAGE:
FREQ (Hz):
TEMP RISE:
WINDING MATL:
ES SHIELD:
SOUND LVL (dB):

NOTES:

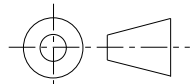
- 1) ALL UNITS ARE UL LISTED AND ARE DESIGNED PER NEMA ST-20 STANDARDS.
- 2) THE TEMPERATURE RISE LISTED WAS DETERMINED WHEN THE TRANSFORMER WAS MOUNTED IN A STANDARD NEMA-2 ENCLOSURE.
- 3) TRANSFORMER IS DRY TYPE, CLASS AA FOR INDOOR USE.
- 4) FOR LIFTING OTHER THAN WITH A FORK TRUCK, USE 1" [25 MM] DIAMETER HOLES IN THE TOP CORE CLAMPS.
- 5) BASE PAINT COLOR IS ANSI #61 GRAY.
- 6) 6" [152 MM] MINIMUM CLEARANCE IS REQUIRED FROM ALL WALLS.
- 7) ⊕ INDICATES APPROXIMATE CENTER OF GRAVITY.

JOB NAME:

UNLESS OTHERWISE SPECIFIED
 ALL DIMENSIONS ARE INCH [MM]



THIRD ANGLE PROJECTION



DRY TYPE TRANSFORMER OUTLINE DRAWING
TYPE QL, 3-PHASE, DOE 2016 EFFICIENCY
(CORE & COIL UNIT)

electrification.us.abb.com

CAD DRAWING: 303B111GEDYP75C

SHEET 2 OF 2

CATALOG #

REV **2**