
 TECHNICAL DATA SHEET

PMA FIXPLus - BUAV-UL - Fitting

45° elbow, metric thread

PMA



UL-listed polyamide fitting for flexible non-metallic conduit



Applications:

- For cable protection systems in a wide range of applications
- Excellent fire characteristics allow application in public buildings like hospitals, hotels, airports, train and subway stations, shopping centres etc.
- For use according to National Electric Code (NEC) NFPA 70, Article 356

Features & Benefits:

- Extremely High impact resistance
- Vibration-resistant connection to PMA conduits
- Easy installation
- High conduit pull-out strength
- Very good chemical properties
- Fits conduit profile coarse (G)

Ingress protection:

- IP66, IP68 & IP69 (EN/IEC 60529)
- IP69, 100 bar with Water impact protection (WPS-ring)

Materials:

- High-grade, specially formulated polyamide 6

Compatible with:

- PMA FLEXPLus conduits

Conforms to:

- UL 514B / CSA C22.2 No. 18.3 (UL File E174370)
- UL 94 (V0)

Colour:

- Black
- Grey

Chemical properties:

- Please refer to www.pma.ch (Technical Information / Chemical Resistance)

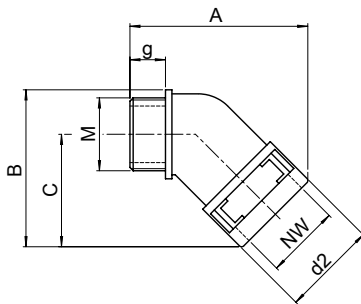
Environmental properties:

- Free from halogens and cadmium
- RoHS and REACH compliant

Product selection:

| Part no. | | Thread size | Conduit size | Dimensions in mm (nom.) | | | | | Weight | Packing unit |
|--------------|--------------|-------------|--------------|-------------------------|------|-------|-------|------|------------|--------------|
| black | grey | metric | NW | g | d2 | A | B | C | kg/100 pcs | pcs/PU |
| BUAV-M207-UL | SUAV-M207-UL | M20x1.5 | 17 | 11.0 | 29.5 | 55.5 | 51.5 | 37.0 | 1.6 | 50 |
| BUAV-M253-UL | SUAV-M253-UL | M25x1.5 | 23 | 12.0 | 37.0 | 65.0 | 58.5 | 43.0 | 2.4 | 30 |
| BUAV-M329-UL | SUAV-M329-UL | M32x1.5 | 29 | 15.0 | 44.0 | 73.5 | 66.5 | 46.5 | 3.9 | 20 |
| BUAV-M406-UL | SUAV-M406-UL | M40x1.5 | 36 | 19.0 | 53.5 | 92.5 | 85.5 | 60.0 | 6.9 | 20 |
| BUAV-M506-UL | SUAV-M506-UL | M50x1.5 | 36 | 19.0 | 53.5 | 92.5 | 89.5 | 60.0 | 6.1 | 20 |
| BUAV-M508-UL | SUAV-M508-UL | M50x1.5 | 48 | 19.0 | 66.0 | 100.0 | 96.0 | 66.5 | 8.4 | 10 |
| BUAV-M638-UL | SUAV-M638-UL | M63x1.5 | 48 | 19.0 | 66.0 | 100.0 | 104.0 | 66.5 | 9.3 | 10 |

Our customer service dept. or local distribution partner will be pleased to help you concerning product availability and lead time



| Mechanical Properties: | Value: | Test parameters: | Test method: |
|-------------------------|-----------------------------------|------------------|--------------|
| Tensile modulus | 1'200 ... 3'700 N/mm ² | | ISO 527 |
| Tensile strength | 45 ... 65 N/mm ² | | ISO 527 |
| Notched bar impact test | 4 ... 20 kJ/m ² | | ISO 180/1C |

| Thermal properties: | Value: | Test parameters: | Test method: |
|------------------------------------|----------------|------------------|------------------|
| Continuous application temperature | -50 ... +105°C | | PMA DO 9.21-4510 |
| Upper application temperature | +120°C | | PMA DO 9.21-4360 |
| Short-term | +160°C | (168 h) | PMA DO 9.21-4360 |

| Fire safety properties: | Value: | Test parameters: | Test method: |
|-------------------------|---------|------------------|---------------|
| Flame class | V0 (V2) | | UL 94 |
| Glowing wire test | 960 °C | | EN 60695-2-10 |
| Oxygen index (LOI) | > 30 % | | ASTM D 2863 |

Content of delivery:

- Fitting with conduit locking clip (AUN2)
- Conduit gasket (NVN3)
- Thread gasket (SVN4)
- Compatible lock nut (BMN-M)

Assembly instructions:

- Please consider the appropriate assembly instructions on www.pma.ch

ABB Switzerland Ltd,
PMA Cable Protection
Aathalstrasse 90
8610 Uster, Switzerland
Phone: +41 58 585 00 11
pma-info@ch.abb.com
www.pma.ch

Let's write the future.
Together. **abb.com**

We reserve the right to make technical changes or modify the contents of this document without prior notice. With regard to purchase orders, the agreed particulars shall prevail. ABB Installation Products Inc. does not accept any responsibility whatsoever for potential errors or possible lack of information in this document.

We reserve all rights in this document and in the subject matter and illustrations contained therein. Any reproduction, disclosure to third parties or utilization of its contents – in whole or in parts – is forbidden without prior written consent of ABB Inc. Copyright© 2019 ABB Installation Products Inc. All rights reserved

