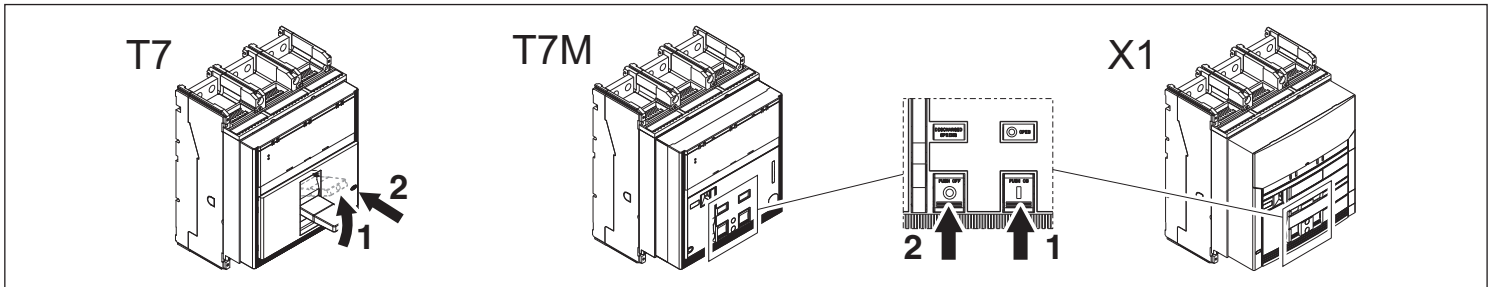


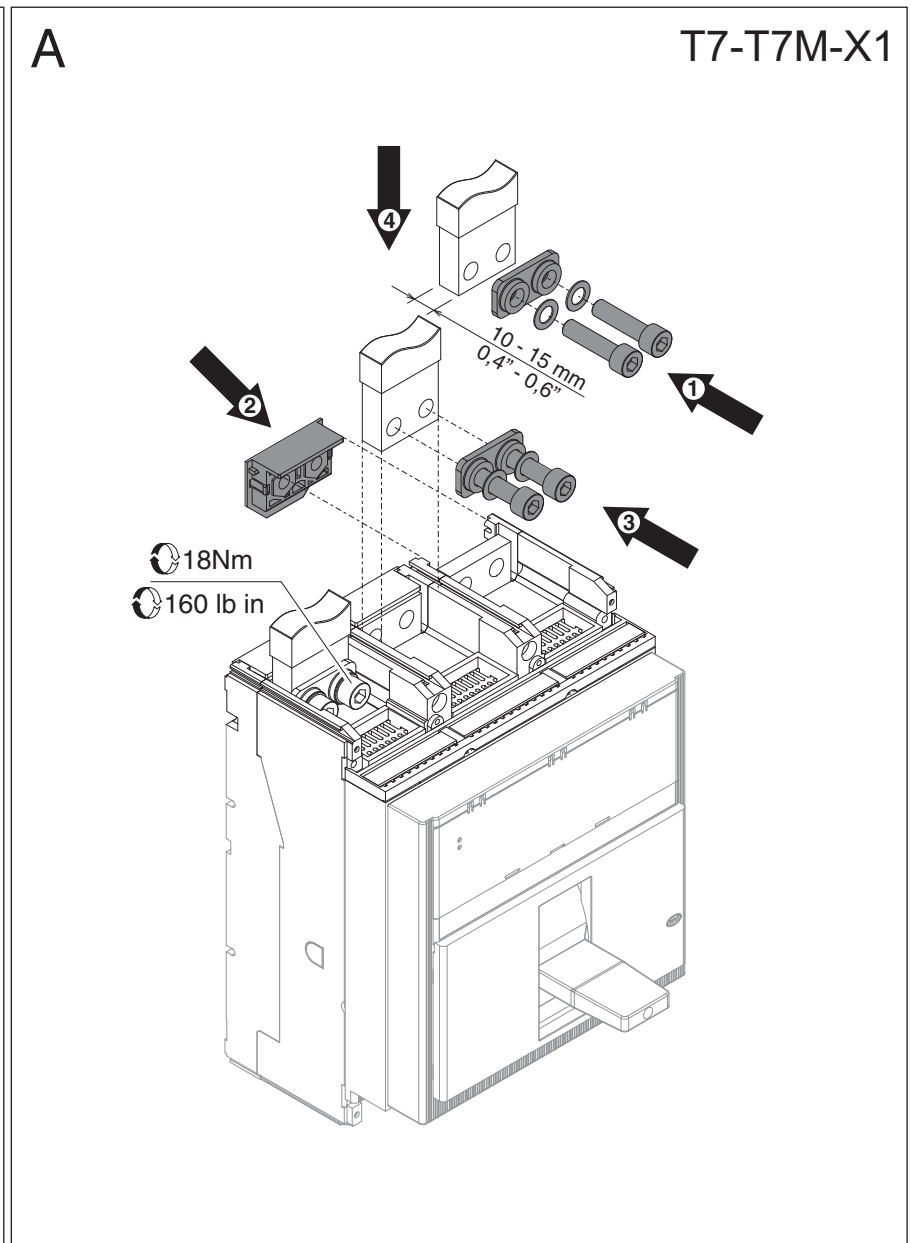
Emax - Tmax

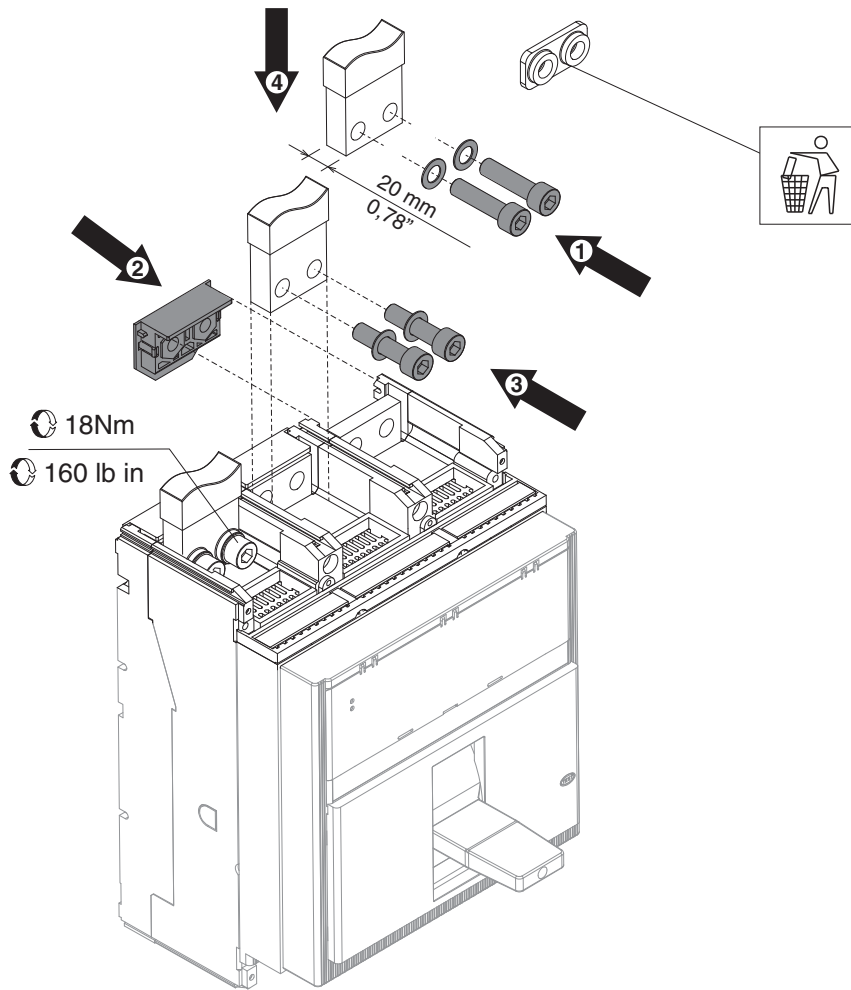
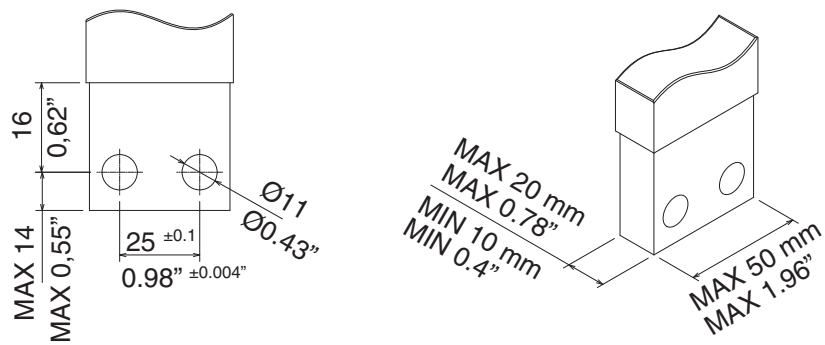
DOC. N.° 1SDH000529R0803 - L3869

- F - Terminali anteriori T7-T7M-X1 fisso
- F - Front terminals T7-T7M-X1 fixed
- F - Vorderseitige Anschlüsse T7-T7M-X1, fest
- F - Prises avant T7-T7M-X1 fixe
- F - Terminales frontales T7-T7M-X1 fijo



	III	IV
	3 (6)	4 (8)
	3 (6)	4 (8)
	6 (12)	8 (16)
	6 (12)	8 (16)



B**T7-T7M-X1****C****T7-T7M-X1****ABB****ABB S.p.A.**
ABB SACE DivisionVia Baioni, 35
24123 Bergamo Italy

Tel.: +39 035 395.111 - Telefax: +39 035 395.306-433

<http://www.abb.com>